

OBO PRO.2 INC.

啓弘股份有限公司

No. 18, Yanwu Rd., Taoyuan City, Taiwan 330, R.O.C.
 TEL: 886-3-346-8636 FAX: 886-3-346-8645~6
 E-MAIL: obo@obopro2.com Website: www.obo.com.tw

Specification for Approval

NO.:

Part Name : Magnetic Transducer
 Model No. : OBO-1606C-A2
 Date : APR.18,2003

Page	Cover Page	1	2	3	4	5	6	7	8	9	10	11	12
Version	A	A	A										

CHANGES

No.	Date	ECN. No.	Version	Description	Sign
--	APR.18,03	---	A	New Document	Penny Wu

Please kindly make approval of our samples, And return this form by fax or airmail, Thanks for your kind attention and co-operation.

(請對我們公司樣品給予承認, 承認後加蓋承認章以傳真或郵寄方式回覆, 謝謝貴公司的支持與合作)

Customer Name : _____

Customer Part No. : _____

Designed By	Checked By	Approval By

Model No: OBO-1606C-A2

Electromagnetic Transducer

FEATURES : Sealed with built-in oscillating circuit for wave soldering and washing

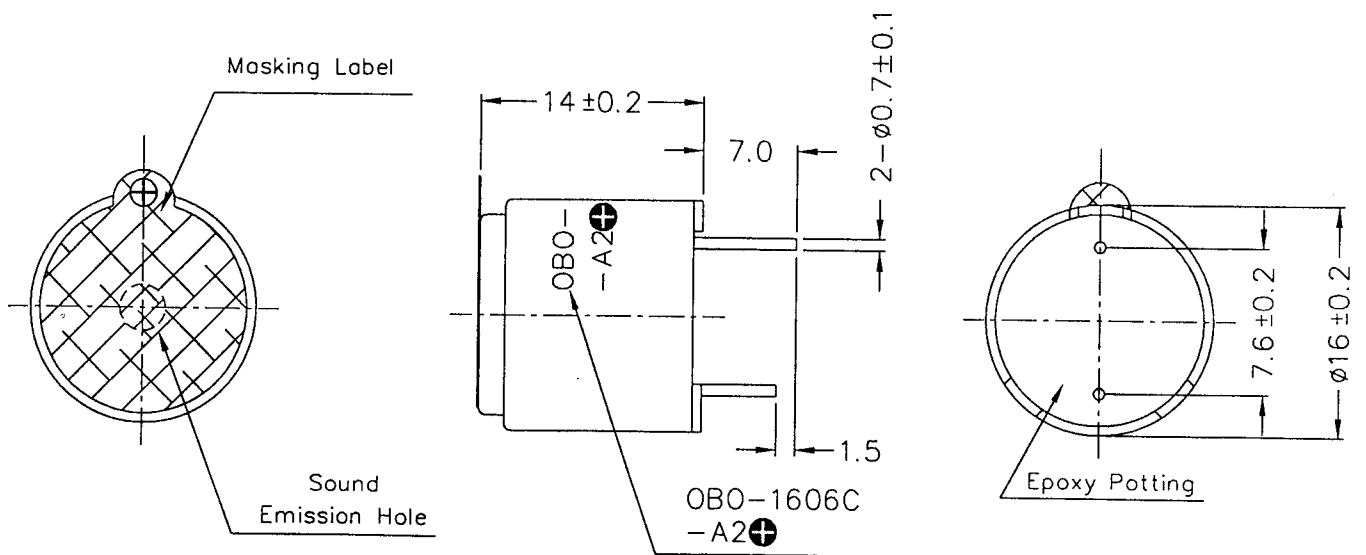
Items	Specification
Rated Voltage (V)	6
※ Resonant Frequency (Hz)	2,300±300
※ Sound Pressure Level at 10cm (dB)	mim. 85
※ Rated Current (mA)	max. 30
Operating Voltage (V)	4 ~ 8
Operating Temp. Range (°C)	-20 ~ +70
Storage Temp. Range (°C)	-30 ~ +80
Weight (g)	4.80
Housing Material	NORYL

※ Value applying rated voltage.(DC)

Fig.1: Shape & Dimensions

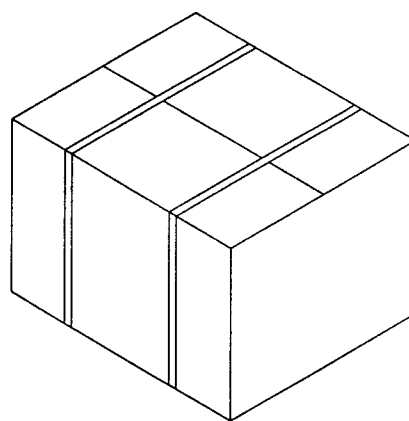
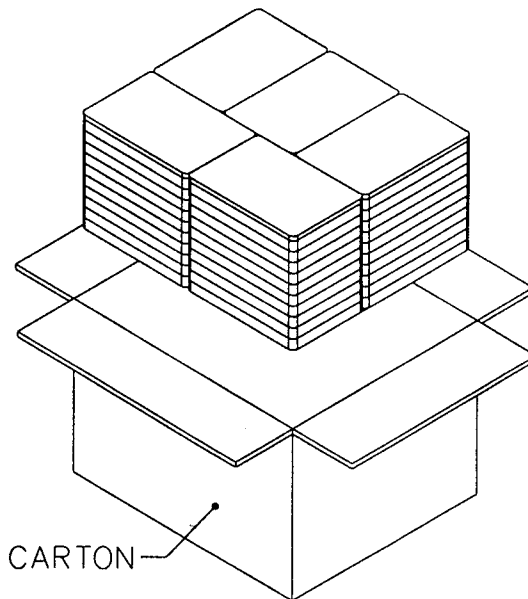
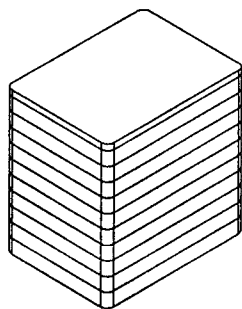
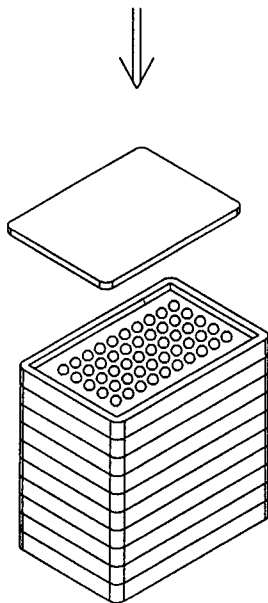
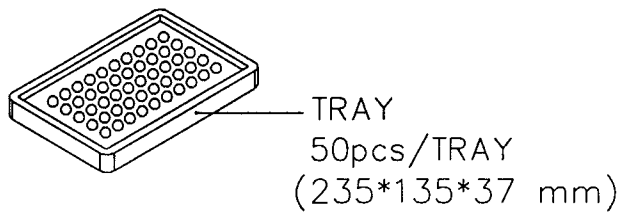
Unit: mm

Tolerance: ±0.5



Drawing by	Checked by	Approved by	Page No.	Model No.	Version	Date
吳蓓寧	陳建合 4/18	<i>[Signature]</i>	1	1606C-A2	A	APR.18,2003

Packing :



2500pcs/CARTON
(490*225*385mm)

Drawing by	Checked by	Approved by	Page No.	Model No.	Version	Date
吳蓓寧 PENNY 92.04.18			2	1606C-A2	A	APR.18,2003