

<b>OBO Pro.2</b>	<b>SPECIFICATIONS</b>	<b>MODEL NO.</b> OBO-20C5
	<b>PART NAME</b> Piezoelectric Buzzer	<b>SHEET</b> 1 OF 5

**ALTERNATION HISTORY**

Marking	Date	ECN NO.	REV.	Description	Page	PREPARE BY	APPROVE BY
※1	AUG,03'05	DG0508001	F	Modify Carton	4	Hms	徐俊達
※2	SEP,23'05	0509008	G	Conformity RoHS Directive ( 2002/95/EC ) Requests.	6	李保祿	李順仁
※3	JUN,26'06	0606021	H	Change Item 1.8,4,5.	2,4,5	馮仁如	Dannen

REV.	DATE	PREPARED BY	CHECKED BY	APPROVED BY
H	JUN,26,2006	LULU	徐俊達	Dannen

<b>OBO Pro.2</b>	<b>SPECIFICATIONS</b>	<b>MODEL NO.</b> OBO-20C5
	<b>PART NAME</b> Piezoelectric Buzzer	<b>SHEET</b> 2 OF 5

**MODEL NO : OBO-20C5**

**Features : Built-in Circuit and lead pin type.**

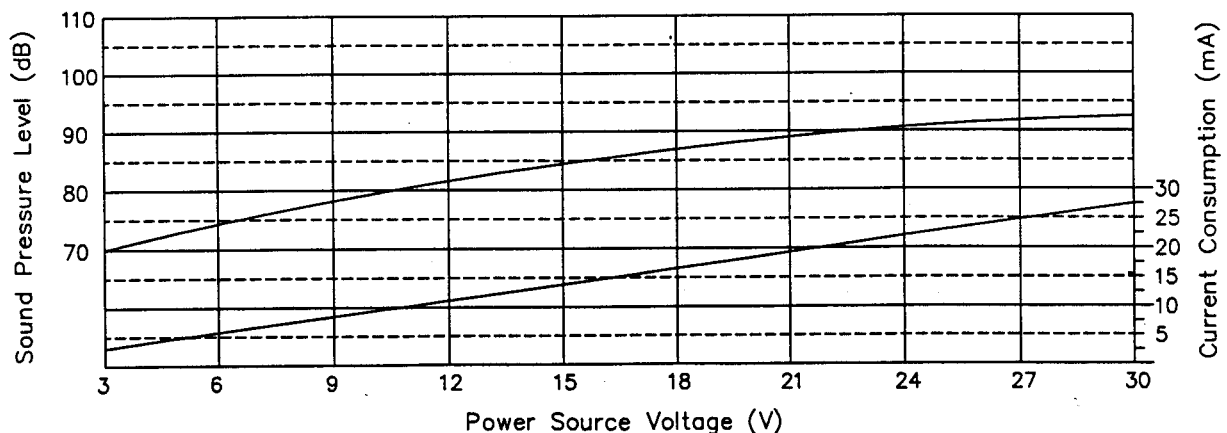
**Conformity RoHS Directive ( 2002/95/EC ) Requests. ※2**

**1 · General Specifications :**

	Items	Specification
1.1	Sound Pressure Level	80dB min./30cm/DC9V
1.2	Oscillating Frequency	3.4 ± 0.5KHz
1.3	Current Consumption	8mA max./DC9V
1.4	Tone	Continuous Tone
1.5	Operating Voltage	DC 3 to 30V
1.6	Case Material	PC (UL 94V-2)
1.7	Lead Pin Material	Bronze
1.8	Operating Temp. Range	-20°C to +85°C ※3
1.9	Storage Temp. Range	-40°C to +85°C
1.10	Weight	2.9 gms
1.11	Voltage vs Sound Pressure vs Current Consumption Curve	As Per Fig.1

Fig.1:

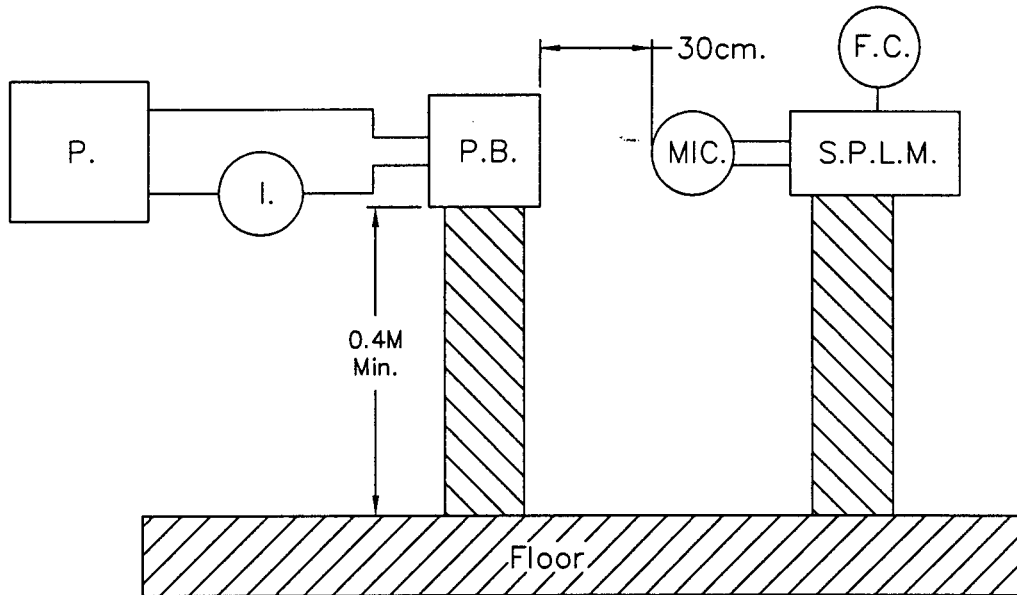
Measurement distance : 30cm. / Current consumption by GDM-8145  
Sound level meter by IEC651 TYPE2 / DC power supply by GPC-3030D



<b>OBO Pro.2</b>	<b>SPECIFICATIONS</b>	<b>MODEL NO.</b> OBO-20C5
	<b>PART NAME</b> Piezoelectric Buzzer	<b>SHEET</b> 3 OF 5

**2、Test Method :**

2.1 Standard Test Diagram



- P. : DC Power Supply GPC-3030D or Equivalent
- S.P.L.M. : Sound Pressure Level Meter IEC651 TYPE2
- I. : Multimeter GDM-8145 or Equivalent
- F.C. : Function Generator GFG-8016G or Equivalent
- P.B. : Piezoelectric Buzzer

2.2 Standard Test Condition

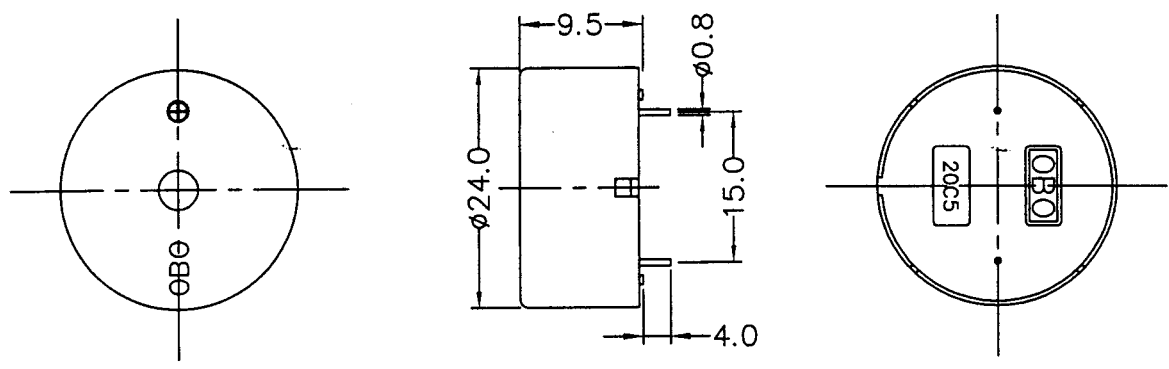
Part shall be measured under a condition  
 (Temperature : +5 to +35°C, Humidity : 45% to 85%R.H.)  
 unless the standard condition.(Temperature : +25±3°C,  
 Humidity : 60±10%R.H.) is regulated to measure.

<b>OBO Pro.2</b>	<b>SPECIFICATIONS</b>	<b>MODEL NO.</b> OBO-20C5
	<b>PART NAME</b> Piezoelectric Buzzer	<b>SHEET</b> 4 OF 5

**3 Mechanical Layout and Dimensions :**

3.1 Dimensions

Tolerance: ±0.5 mm      Unit: mm



※2

3.2 Environment-related substances to be controlled

3.2.1 Piezoelectric Ceramic Disc.

RoHs Annex :

Application of lead, mercury, cadmium and hexavalent chromium, which are exempted from the requirement of article 4(1).

\* Lead in electronic ceramic parts.(e.g. piezoelectronic devices).

3.2.2 Ni-Alloy Plate.

RoHs Annex :

Lead in an alloying element in steel containing up to 0.35% lead by weight, aluminium containing up to 0.4% lead by weight and as a copper alloy containing up to 4.0% lead by weight.

**4 Soldering Condition :** ※2 ※3

4.1 Wave Soldering

Peak temperature	Dipping time	Soldering
+ 260°C	5 seconds	1 time

4.2 Hand Soldering

Iron Tip Temperature	Soldering time
+ 380°C Max.	Duration 3 seconds Max.

<b>OBO Pro.2</b>	<b>SPECIFICATIONS</b>	<b>MODEL NO.</b> OBO-20C5
	<b>PART NAME</b> Piezoelectric Buzzer	<b>SHEET</b> 5 OF 5

5 · Packing Information :

