

OBO.Pro.2	SPECIFICATIONS	MODEL NO. OBO-22240PA
	PART NAME Piezoelectric Buzzer	SHEET 2 OF 5

MODEL NO : OBO-22240PA

Features : External Drive & Lead Pin Type.

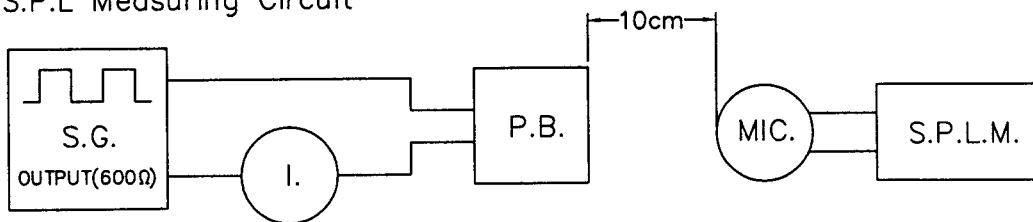
Conformity RoHS Directive (2002/95/EC) Requests. ※1

1.General Specifications :

Items	Spec.
Sound Pressure Level	90dB min. at 4.0KHz/12Vp-p Square wave/10cm
	75dB min. at 4.0KHz/1Vrms Sine Wave/10cm
Capacitance	12,000pF ± 30% at 120Hz
Current Consumption	4mA max. at 4.0KHz/9Vp-p Square Wave
Allowable Input Voltage	30Vp-p max.
Case Material	PBT (UL 94V-0)
Lead Pin Material	Phosphor Bronze (Sn Plated)
Operating Temp. Range	-20°C to +70°C
Storage Temp. Range	-40°C to +85°C
Weight	3.2 gms

2. Measuring Method

2.1 S.P.L Measuring Circuit



- S.G. :GAG-808G Audio Ggenerator or Equivalent
- S.P.L.M. :Sound Pressure Level Meter IEC651 TYPE2
- I. :GDM-8145 Multimeter or Equivalent
- P.B. :Piezoelectric Buzzer

Note:please pay attention never to be applied DC voltageto piezo sounder.

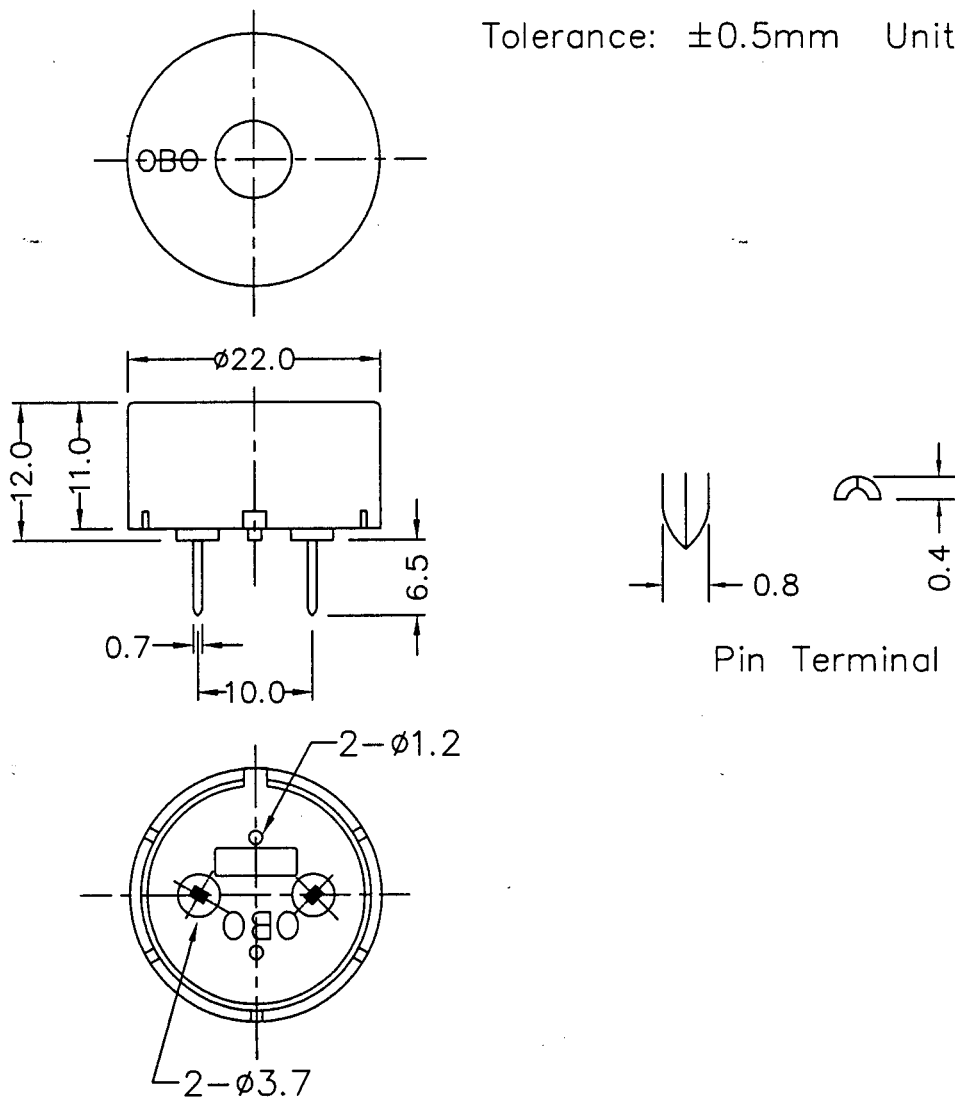
2.2 Measuring condition

Part shall be measured under a condition(Temperature: +5 to +35°C, Humidity: 45% to 85%R.H.) unless the standard condition (Temperature: +25±3°C, Humidity: 60±10%R.H.) is regulated to measure.

OBO Pro.2	SPECIFICATIONS	MODEL NO. OBO-22240PA
	PART NAME Piezoelectric Buzzer	SHEET 3 OF 5

3. Mechanical Layout and Dimensions

Tolerance: $\pm 0.5\text{mm}$ Unit: mm



4. Soldering condition ※1

4.1 Wave Soldering

Peak temperature	Dipping time	Soldering
+ 260°C	5 seconds	1 time

4.2 Hand Soldering

Iron Tip Temperature	Soldering time
+ 380°C Max.	Duration 3 seconds Max.

OBO Pro.2	SPECIFICATIONS	MODEL NO. OBO-22240PA
	PART NAME Piezoelectric Buzzer	SHEET 4 OF 5

5. Packing

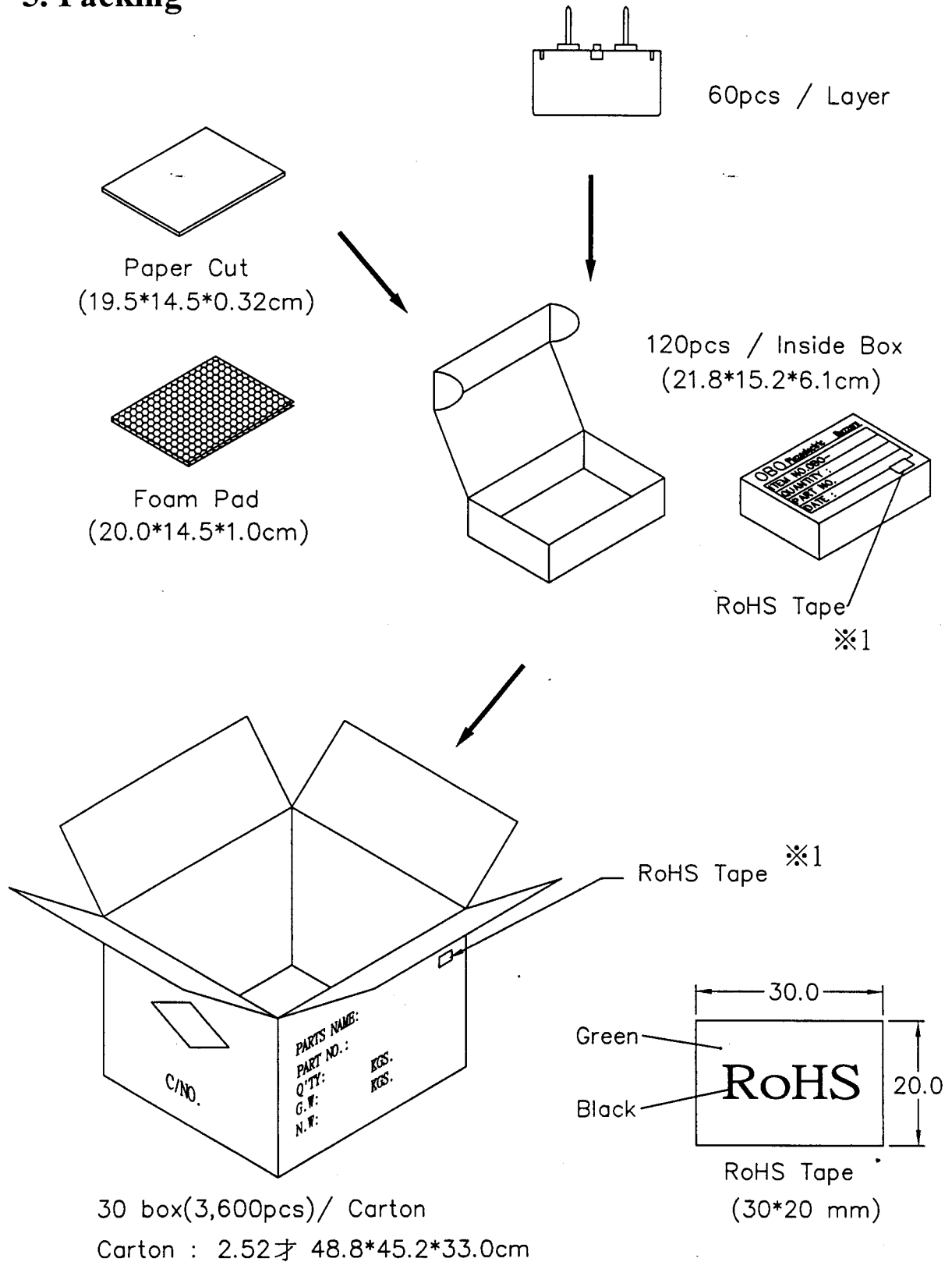
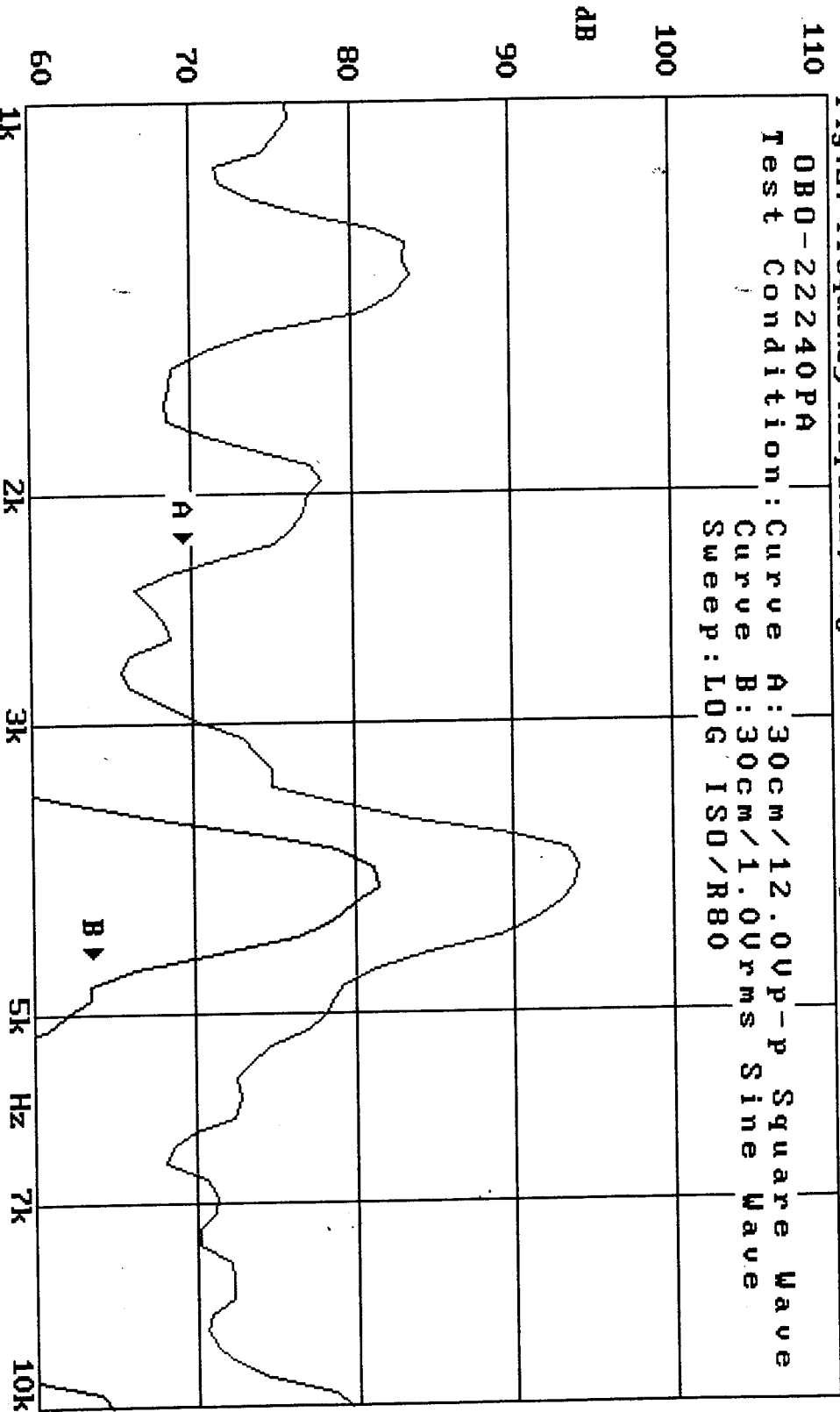


Fig. 2: Frequency Response, Magn dB re 20.00µpa



15-MAR-2002 10:58:43

Mode: SSR

