

OBO Pro.2	SPECIFICATIONS	MODEL NO. OBO-27220
	PART NAME Piezoelectric Buzzer	SHEET 2 OF 5

Model No. : OBO-27220

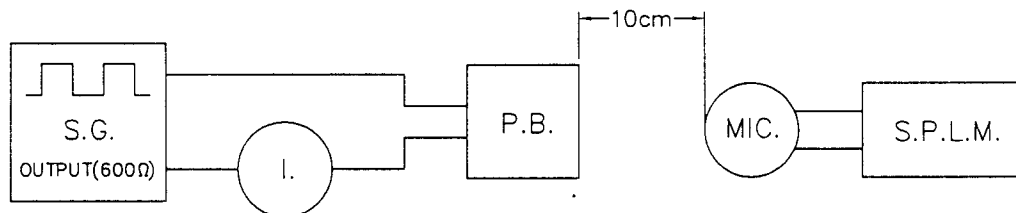
Features : Conformity RoHS Directive (2002/95/EC) Requests. ※2

1. General Requirements

Items	Spec.
Sound Pressure Level	85dB Min. at 3.5KHz/9Vp-p Square Wave/10cm.
	75dB Min. at 3.5KHz/1Vrms Sine Wave/10cm.
Capacitance	24,000pF ± 30% at 120Hz
Current Consumption	4mA Max. at 3.5KHz/9Vp-p Square Wave
Allowable Input Voltage	30Vp-p Max.
Case Material	ABS (UL 94HB)
Operating Temp. Range	-20°C to +60°C
Storage Temp. Range	-30°C to +70°C
Weight	4.3gms
Frequency Response	As Per Fig.1

2. Test Method

2.1 Standard Test Diagram

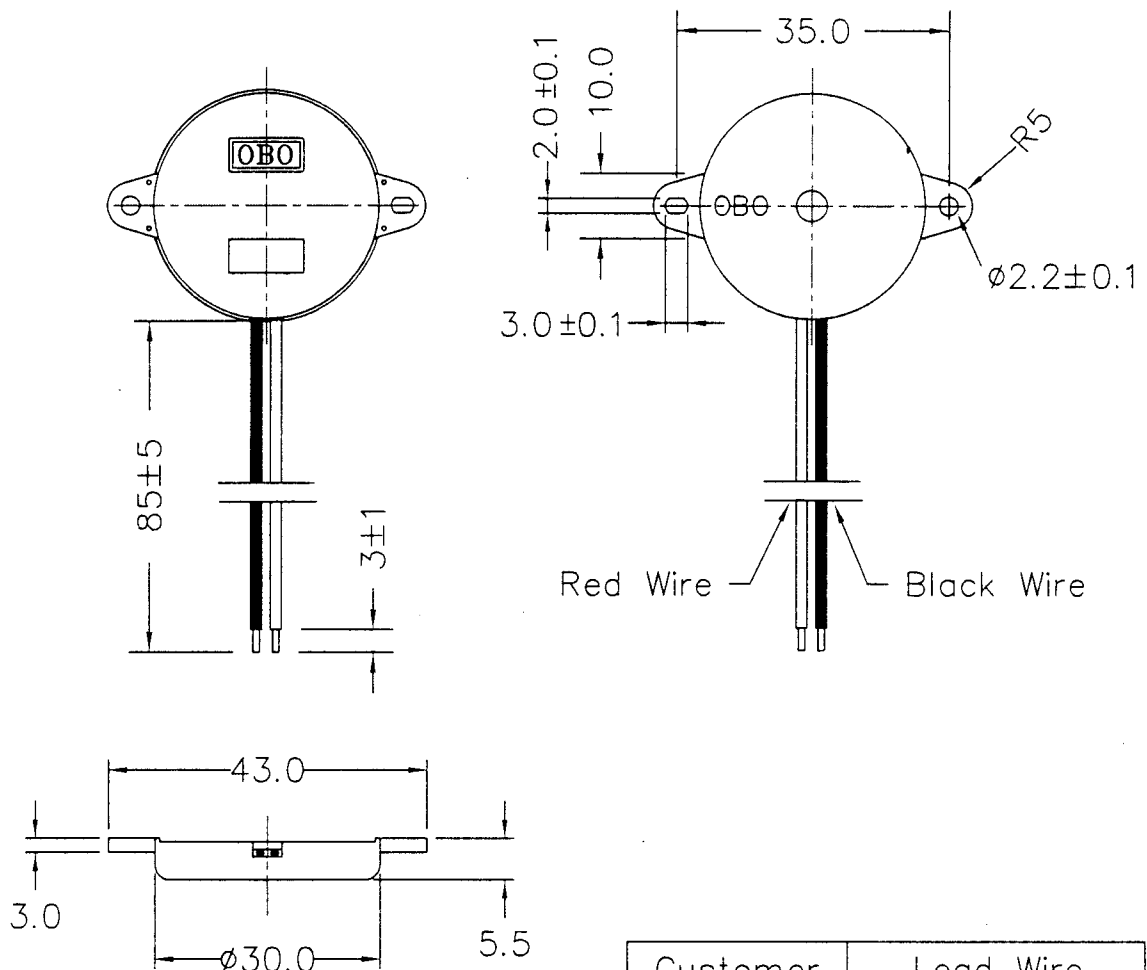


- S.G. : GAG-808G Audio Ggenerator or Equivalent
- S.P.L.M. : Sound Pressure Level Meter IEC651 TYPE2
- I. : GDM-8145 Multimeter or Equivalent
- P.B. : Piezoelectric Buzzer

Note: Please pay attention never to be applied DC voltage to piezo sounder

OBO Pro.2 [®]	SPECIFICATIONS	MODEL NO. OBO-27220
	PART NAME Piezoelectric Buzzer	SHEET 3 OF 5

3. Appearance and Dimensions



Unit : mm Tolerance : ±0.5

Customer	Lead Wire
Standard	UL1095#28

4. Environment-related substances to be controlled

- Piezoelectric Ceramic Disc. ※2

RoHs Annex :

Application of lead, mercury, cadmium and hexavalent chromium, which are exempted from the requirement of article 4(1).

* Lead in electronic ceramic parts.(e.g. piezoelectronic devices).

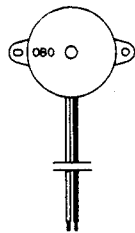
OBO Pro.2	SPECIFICATIONS	MODEL NO. OBO-27220
	PART NAME Piezoelectric Buzzer	SHEET 4 OF 5

5. Soldering condition

5.1 Hand soldering

Soldering iron tip temperature 380C°Max for 3 seconds.

6. Package



Buzzer

OBO PRO.2 INC.

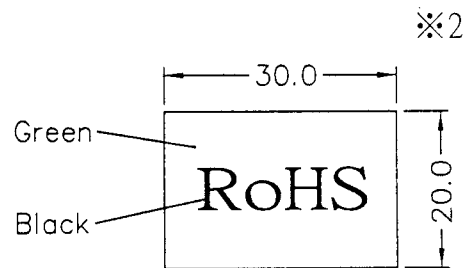
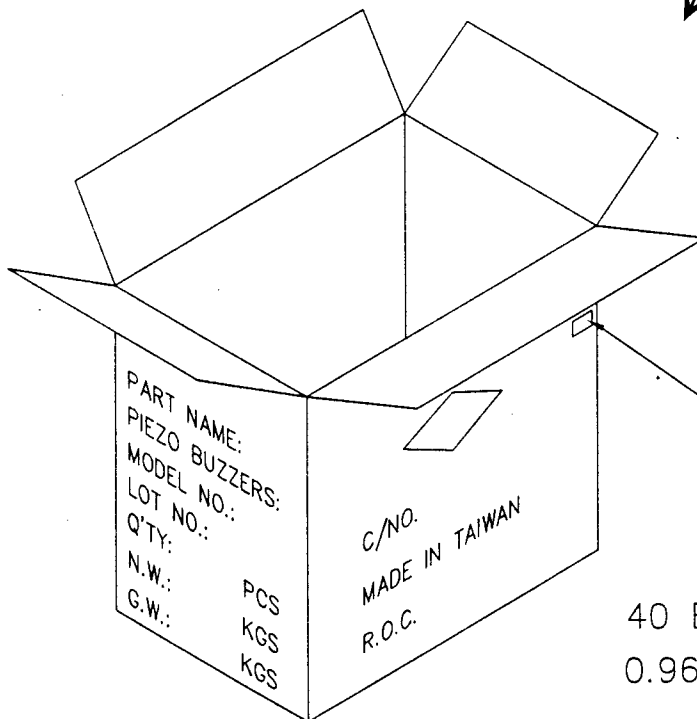
MODEL NO.	
LOT NO.	
QUANTITY	
DATE	

50pcs / Label
(80*50*0.08mm)



50pcs/ PE Bag
(220*155*0.05mm)

RoHS Tape

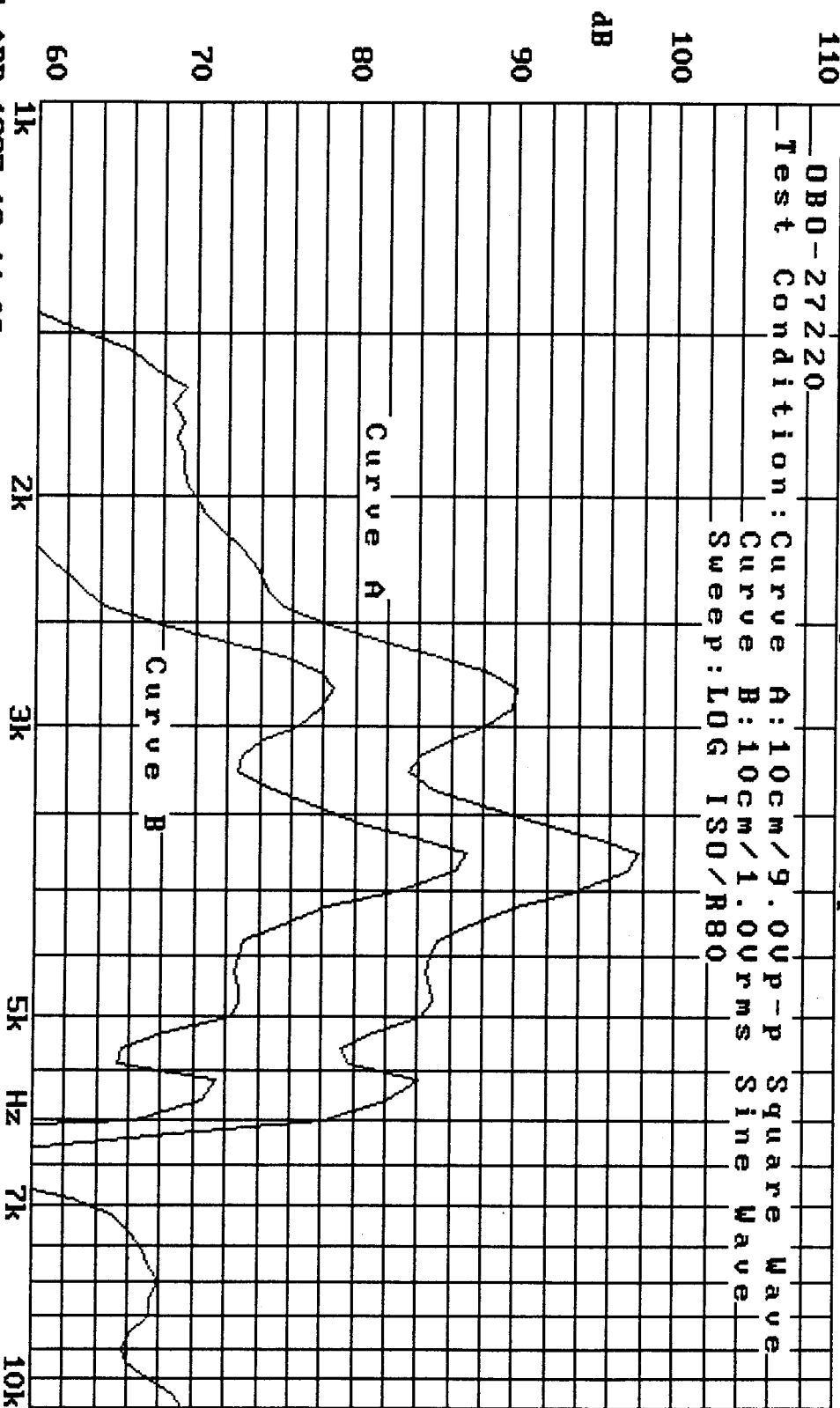


RoHS Tape
(30*20 mm)

RoHS Tape

40 Bag(2000pcs)/ Carton
0.96寸(352*233*336mm)

Fig. 1: Frequency Response, Magn dB re 20.00µpa



21-APR-1997 18:44:08

Mode: SSR

