

OBO Pro.2	SPECIFICATIONS	MODEL NO. OBO-27C0
	PART NAME Piezoelectric Buzzer	SHEET 2 OF 5

MODEL NO : OBO-27C0

Features : Built-in Circuit & Lead Wire Type.

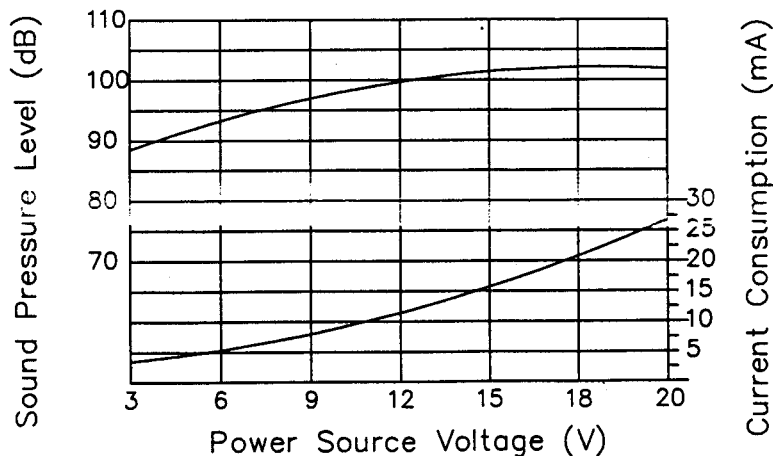
Conformity RoHS Directive (2002/95/EC) Requests. ※1

1. General Specifications :

Items	Specification
1.1 Sound Pressure Level	97dB min./30cm/DC9V
1.2 Oscillating Frequency	3.5 ± 0.5KHz
1.3 Current Consumption	8mA max./DC9V
1.4 Tone	Continuous Tone
1.5 Operating Voltage	DC 3 to 20V
1.6 Case Material	ABS (UL 94HB)
1.7 Operating Temp. Range	-20°C to +60°C
1.8 Storage Temp. Range	-30°C to +70°C
1.9 Weight	7.3 gms
1.10 Voltage vs Sound Pressure vs Current Consumption Curve	As Per Fig.1

Fig.1: ※1

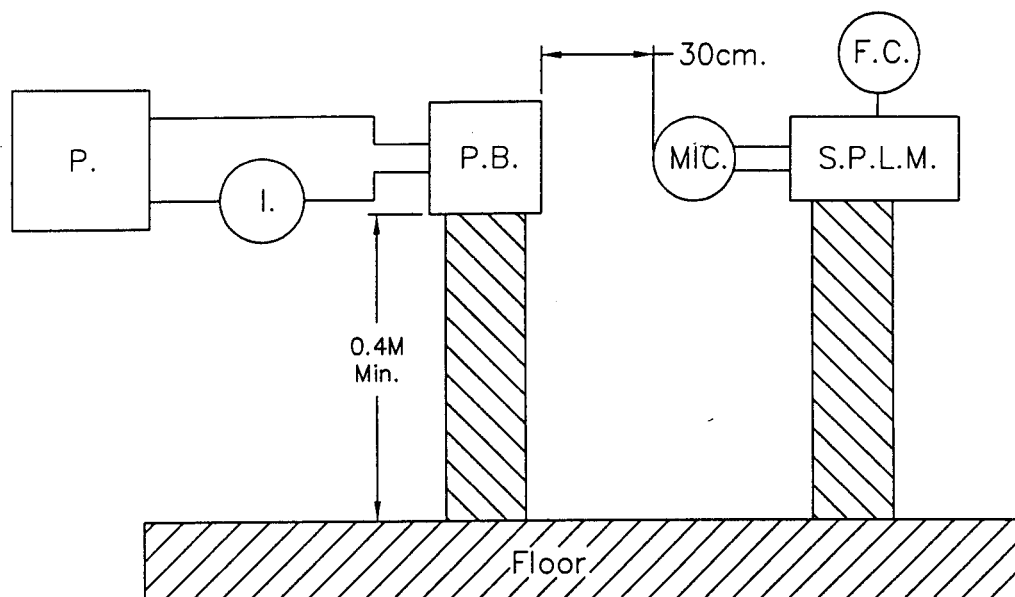
Measurement distance : 30cm. / Current consumption by GDM-8145
Sound level meter by IEC651 TYPE2 / DC power supply by GPC-3030D



OBO Pro.2	SPECIFICATIONS	MODEL NO. OBO-27C0
	PART NAME Piezoelectric Buzzer	SHEET 3 OF 5

2. Test Method : ※1

2.1 Standard Test Diagram



- P. : DC Power Supply GPC-3030D or Equivalent
- S.P.L.M. : Sound Pressure Level Meter IEC651 TYPE2
- I. : Multimeter GDM-8145 or Equivalent
- F.C. : Function Generator GFG-8016G or Equivalent
- P.B. : Piezoelectric Buzzer

2.2 Standard Test Condition ※1

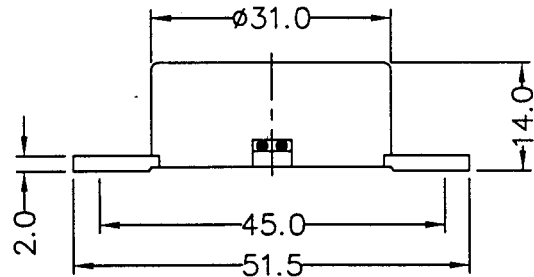
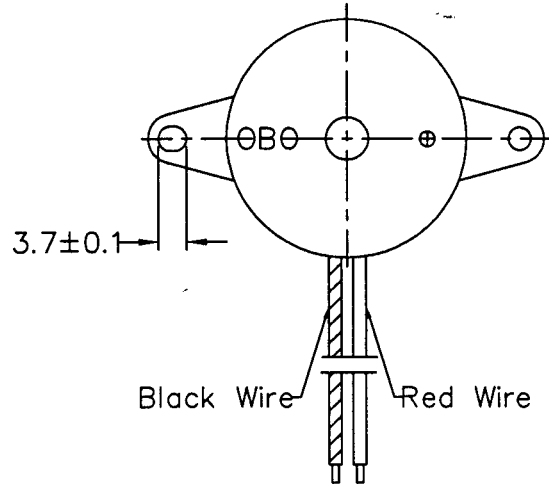
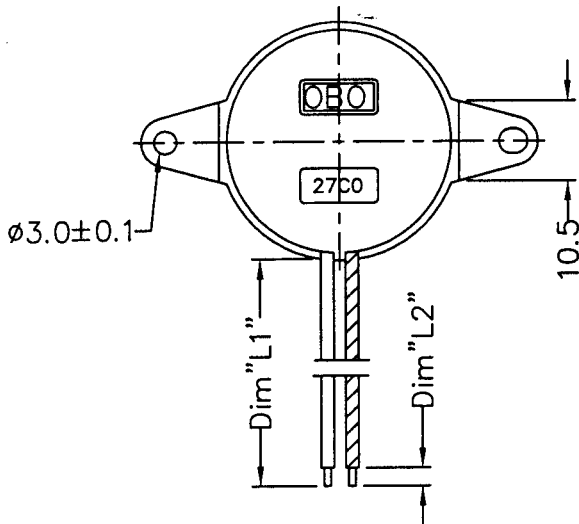
Part shall be measured under a condition
 (Temperature : +5 to +35°C, Humidity : 45% to 85%R.H.)
 unless the standard condition. (Temperature : +25±3°C,
 Humidity : 60±10%R.H.) is regulated to measure.

OBO Pro.2	SPECIFICATIONS	MODEL NO. OBO-27C0
	PART NAME Piezoelectric Buzzer	SHEET 4 OF 5

3. Dimensions :

Tolerance: ± 0.5 mm

Unit: mm



Customer	Lead Wire	DIM"L1"	DIM"L2"
Standard	UL 1095 28AWG	100 \pm 5	3 \pm 1

3.1 Environment-related substances to be controlled ※1

© Piezoelectric Ceramic Disc.

RoHs Annex :

Application of lead, mercury, cadmium and hexavalent chromium, which are exempted from the requirement of article 4(1).

* Lead in electronic ceramic parts.(e.g. piezoelectronic devices).

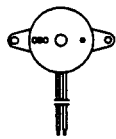
OBO Pro.2	SPECIFICATIONS	MODEL NO. OBO-27C0
	PART NAME Piezoelectric Buzzer	SHEET 5 OF 5

4. Soldering Condition : ※1

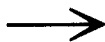
4.1 Hand Soldering

Iron Tip Temperature	Soldering time
+ 380°C Max.	Duration 3 seconds Max.

5. Packing Information :



Buzzer



OBO PRO.2 INC.

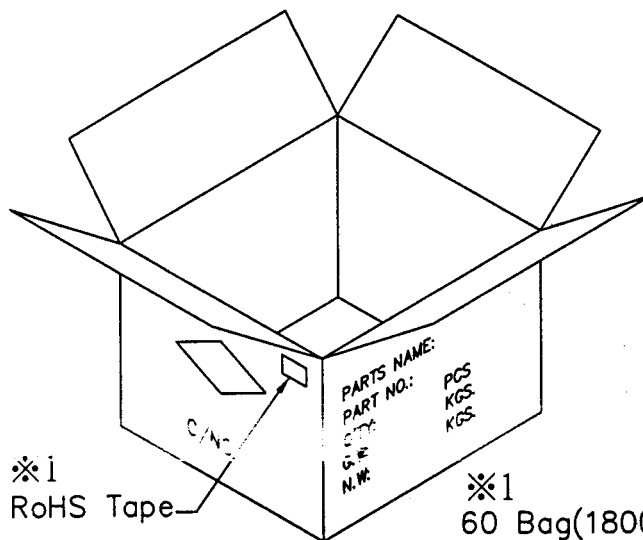
MODEL NO.	
LOT NO.	
QUANTITY	
DATE	

30pcs / Label
(80*50*0.08mm)



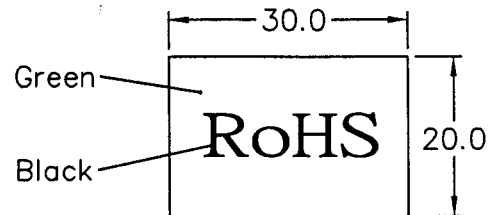
30pcs/ PE Bag
(220*155*0.05mm)

RoHS Tape ※1



※1
RoHS Tape

※1
60 Bag(1800pcs)/ Carton
1.74寸(400*382*358mm)



RoHS Tape
(30*20 mm) ※1