

OBO PRO.2 INC. 啓弘股份有限公司

No. 224-9, LANE 105, YUNG-FENG ROAD, PA-TE CITY, TAOYUAN, TAIWAN, R.O.C.
TEL: 886-3-361-4436 FAX: 886-3-361-4437
E-MAIL: obo@obopro2.com Website: www.obo.com.tw

Specification for Approval

NO.:

Part Name : Piezoelectric Buzzer
Model No. : OBO-27C8
Date : JUN.13,2002

Page	Cover Page	1	2	3	4	5	6	7	8	9	10	11	12	
Version	E	E	E											

Please kindly make approval of our samples,
And return this form by fax or airmail, Thanks
for your kind attention and co-operation
(請對我們公司樣品給予承認, 承認後加蓋承認章以傳真或郵寄方式回覆, 謝謝貴公司的支持與合作)

Customer Name : _____
Customer Part No. : _____

Designed By	Checked By	Approval By

Model No: OBO-27C8

Built-in Circuit, Lead Pin Type

Items.	Spec.
Sound Pressure Level	87dB min./30cm/DC9V
Oscillating Frequency	3.5 ± 0.5KHz
Current Consumption	8mA max./DC9V
Tone	Continuous Tone
Operating Voltage	DC 3 to 30V
Case Material	PC (UL 94V-2)
Operating Temp. Range	-20°C to +70°C
Storage Temp. Range	-40°C to +85°C
Weight	6.0 gms
Voltage/Sound Pressure /Current Consumption	As Per Fig.1
Shape & Dimensions	As Per Fig.2
Measuring Circuit	As Per Fig.3
Package	As Per Fig.4

Fig.1 :

Measurement Distance : 30cm.
 Sound Level Meter By B&K-2232
 Current Consumption By GDM-8145
 DC Power Supply By GPC-3030D

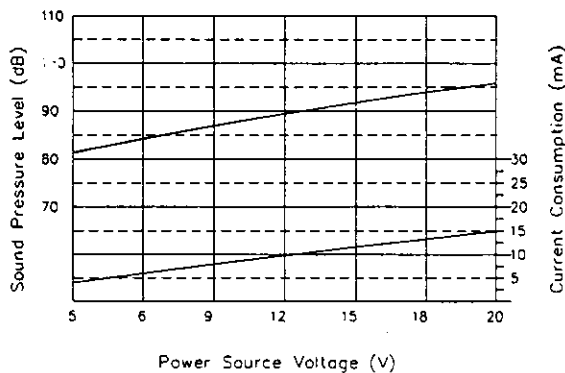
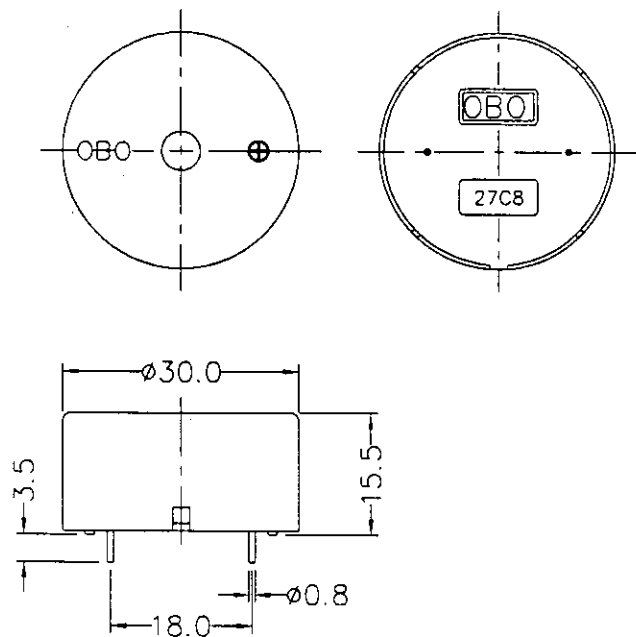


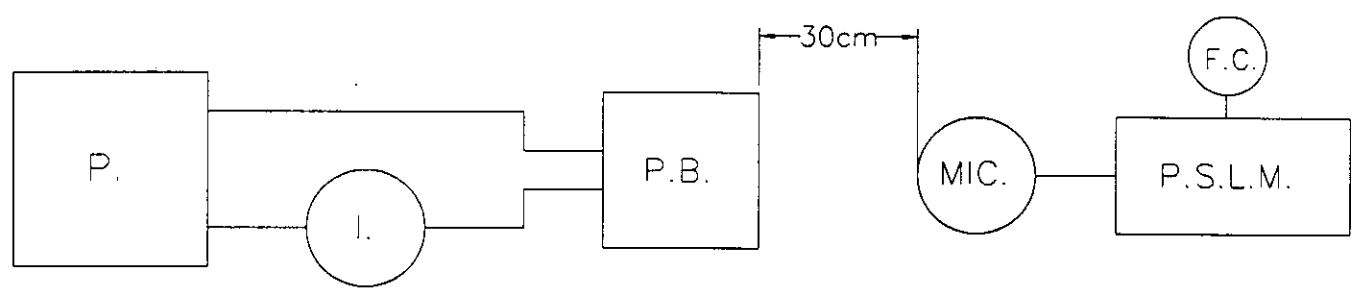
Fig.2 :

Unit : mm Tolerance : ± 0.5



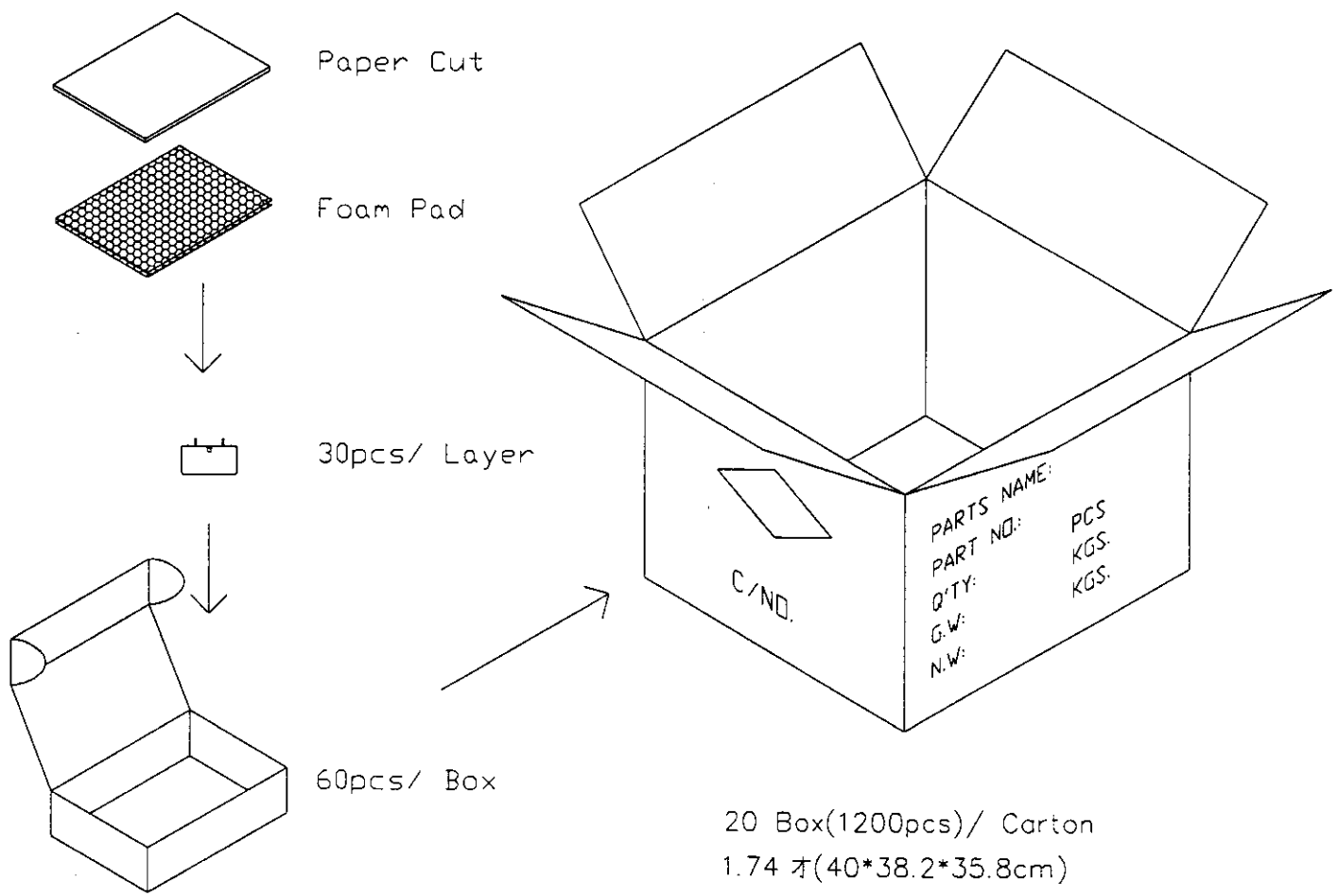
Drawing by	Checked by	Approved by	Page No.	Model No.	Version	Date
林 91.6.13	啓弘 91.6.13	啓弘 91.6.13	1	27C8	E	JUN.13,2002

Fig.3 : Measuring Circuit



- P. : DC Power Supply GPC-3030D or Equivalent
- MIC. : B&K-4176 Micphone or Equivalent
- P.S.L.M. : B&K-2232 Precision Sound Level Meter or Equivalent
- I. : GDM-8145 Multimeter or Equivalent
- F.C. : KENWOOD FG-273 or Equivalent
- P.B. : Piezoelectric Buzzer

Fig.4 : Package



Drawing by	Checked by	Approved by	Page No.	Model No.	Version	Date
林 91.6.13 金玉璇	啓弘 91.6.13 吳永亨	'02 張政政 6/3	2	27C8	E	JUN.13,2002