

OBO Pro.2	SPECIFICATIONS	MODEL NO. OBO-28008F-01
	PART NAME DYNAMIC SPEAKER	SHEET 1 OF 6

ALTERNATION HISTORY

Marking	Date	ECN. NO.	REV.	Description	Page	PREPARE BY	APPROVE BY
※1	MAR,21'06	0603010	E	1.Conformity RoHS Directive (2002/95/EC) Requests.	6	簡沛玲	葉可強 06 3/27/06

REV.	DATE	PREPARED BY	CHECKED BY	APPROVED BY
E	MAR,21,2006	PEI LING	馮仁如	葉可強 06 3/27/06

OBO Pro.2	SPECIFICATIONS	MODEL NO. OBO-28008F-01
	PART NAME DYNAMIC SPEAKER	SHEET 2 OF 6

MODEL NO : OBO-28008F-01

Features :Conformity RoHS Directive (2002/95/EC) Requests. ^{※1}

1. General Specifications

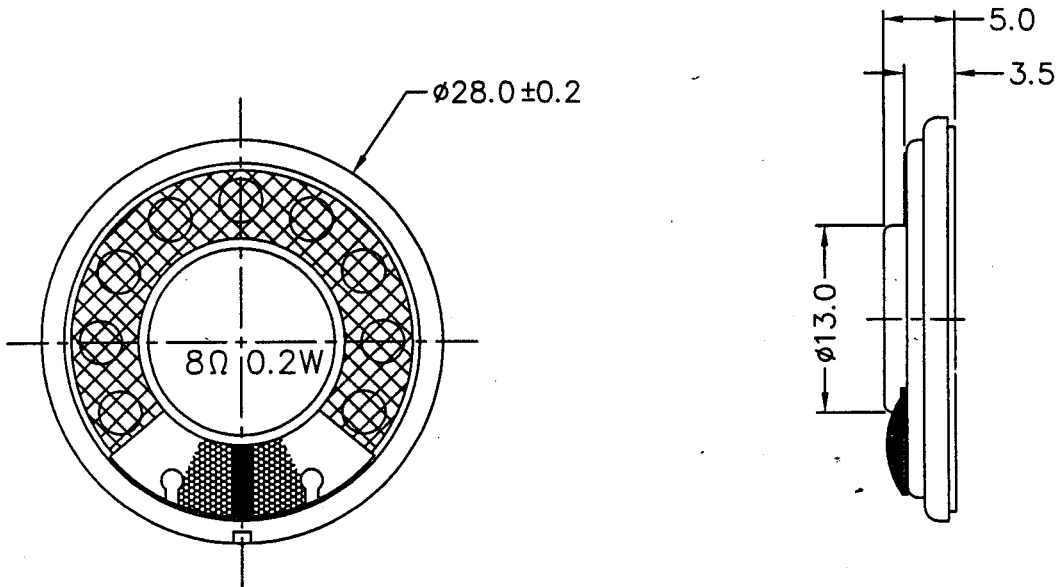
Items	Spec.
Magnet	Materials NdFeB Size: ϕ9.5X1.5 mm.
Weight	Approx 6.0 Grams
Nominal Impedance	8 Ohm ± 20% At 1200 Hz / 1.0V
Power Rating	Normal 0.2 W. Maximum 0.5 W.
Lowest Resonant Frequency	650 ± 150 Hz.
Output Sound Pressure Level (S.P.L)	81 ± 3dB /0.2W 0.5Meter Average at 1000,1200,1500,2000Hz Measuring device:see Item 4.(Secundum IEC-268-5 Statute)
Frequency Range	350 ~ 6,500 Hz. Average SPL-10 dB.
Abnormal Sound Test	Must be Normal Tested by 1.26Volts. Sine Wave.
Polarity	Diaphragm shall Move Forward when Apply a Positive DC Current to the"+" or "Marked" Terminal.
Operating Temperature	-25° C ~ +50° C
Storage Temperature	-25° C ~ +55° C

2. Environmental Test

Humidity Test	High Temperature : +40°C±3°C Relative Humidity : 90% ~ 95% Duration : 96 Hours Duration of recovery : 6 Hours
Temperature Cycle Test	Temperature : +55°C → +25°C → -25°C → +25°C Duration : 1Hour 1Hour 1Hour 1Hour Cycle : 3 Cycles
Vibration Test	Duration : 3 axes Mounting : Unit Shall Be Rigidly Restrained On The Table Frequency : 1000 Cycle/Minute Amplitude : 1.5m/m Endurance : 1 Hour in Each Plane Duration of Transfer Time: Less Than 5Minutes
Load Test	White Noise With Weighted Filter 1.26 Volts.(RSM) 100Hrs. 20~20,000Hz Resonant Frequency.
Drop Test	75cm Free Falling On Concrete Floor, with 10 times.

OBO.Pro.2	SPECIFICATIONS	MODEL NO. OBO-28008F-01
	PART NAME DYNAMIC SPEAKER	SHEET 3 OF 6

3. Dimensions



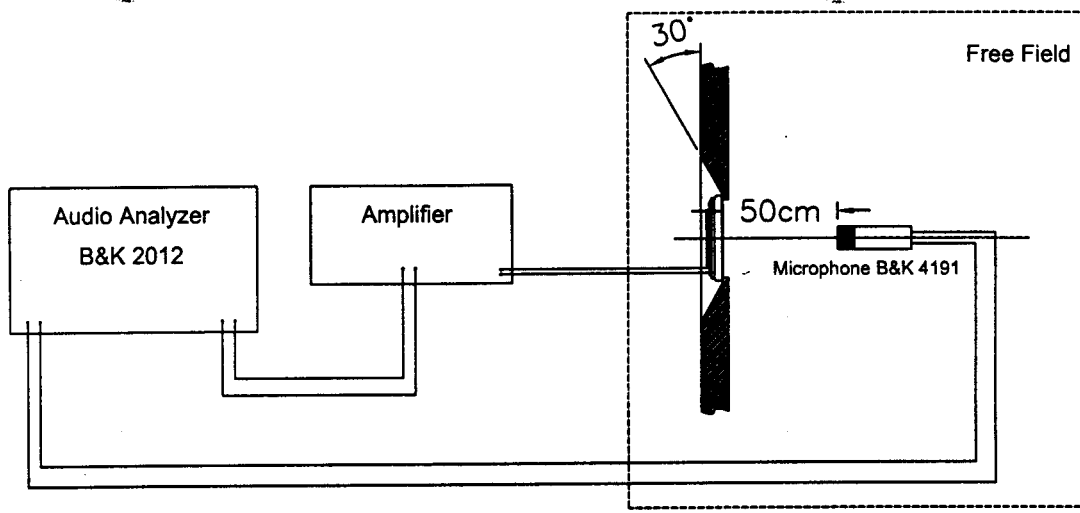
Unit: mm Tolerance: ± 0.3

※1 PCB Soldering Temperature 280°C~320°C With 3 Seconds.

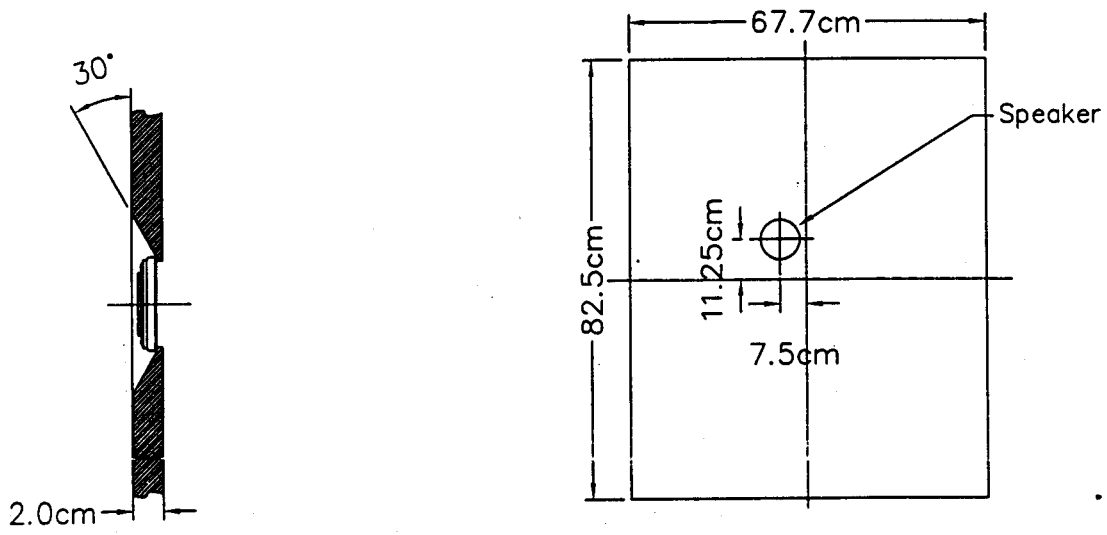
OBO Pro.2	SPECIFICATIONS	MODEL NO. OBO-28008F-01
	PART NAME DYNAMIC SPEAKER	SHEET 4 OF 6

4. Test Method

4.1 Measurement Diagram

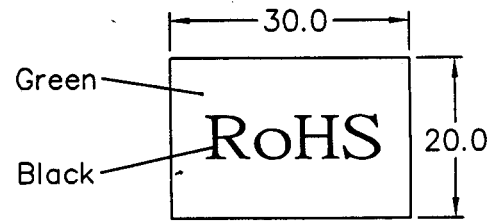
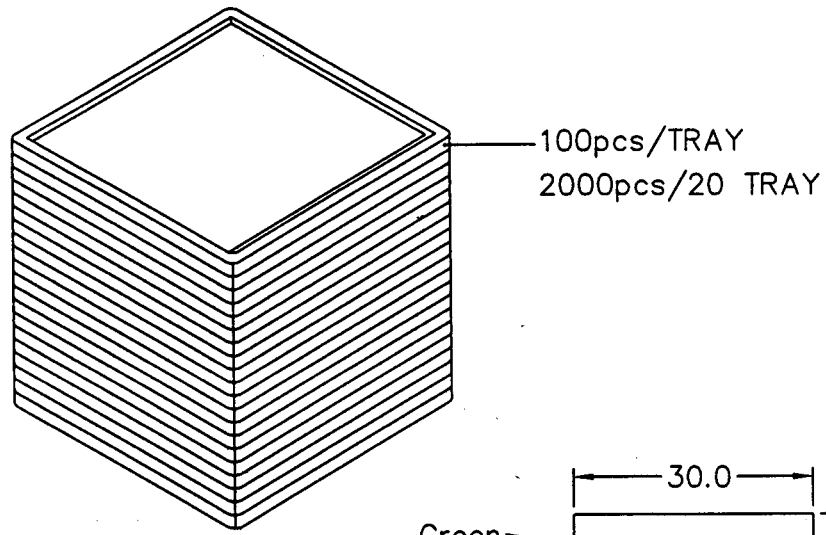
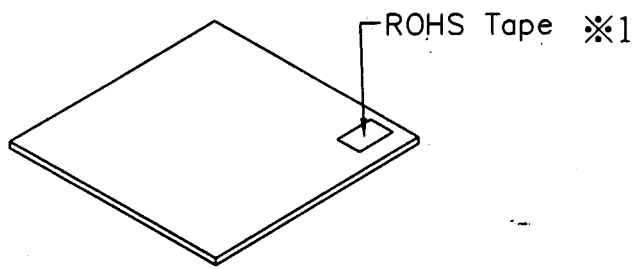


4.2 Standard Baffle

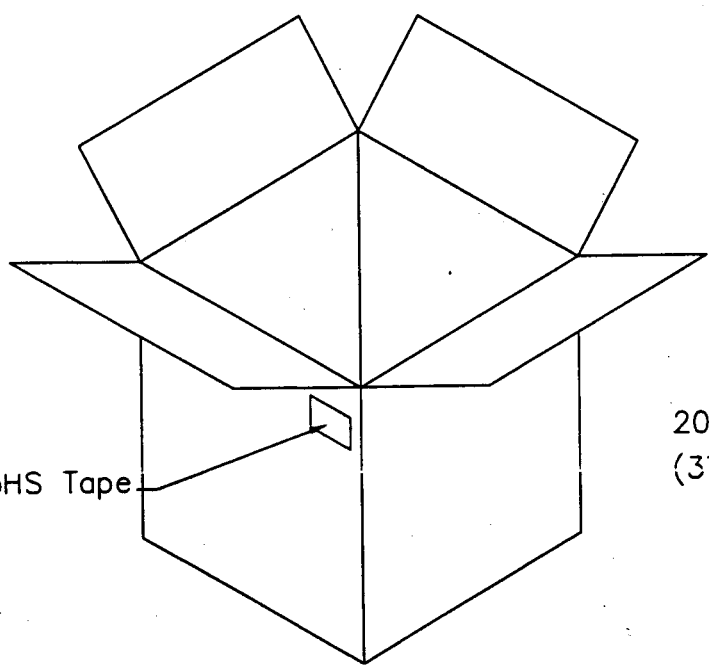


OBO Pro.2	SPECIFICATIONS	MODEL NO. OBO-28008F-01
	PART NAME DYNAMIC SPEAKER	SHEET 5 OF 6

5. Package



RoHS Tape
(30*20 mm) ※1



2000 pcs / Carton
(370*365*370cm)

