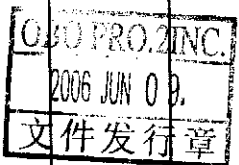


OBO Pro.2**SPECIFICATIONS****MODEL NO.**
OBO-35004K-01**PART NAME**
DYNAMIC SPEAKER**SHEET**
1 OF 7**ALTERNATION HISTORY**

Marking	Date	ECN NO.	REV.	Description	Page	PREPARE BY	APPROVE BY
※1	JUNE,06,2006	DG0606005	B	1. Change to RoHS Type	7	蔡愛國	Dannen
							

REV.	DATE	PREPARED BY	CHECKED BY	APPROVED BY
B	JUNE,06,2006	蔡愛國	K-C Wang	Dannen

OBO Pro.2**SPECIFICATIONS****MODEL NO.**
OBO-35004K-01**PART NAME**
DYNAMIC SPEAKER**SHEET**
2 OF 7**MODEL NO : OBO-35004K-01**

Features:Conformity RoHS Directive(2002/95/EC) Requests.(*)1

OBO Pro.2 INC

2006 JUN 09.

文件发行章

1. General Specifications

Items	Spec.
Magnet	Materials NdFeB Size: $\varnothing 8.0 \times 1.3 \text{mm}$.
Weight	Approx 2.6Grams
Nominal Impedance	4 Ohm $\pm 15\%$ At 1100 Hz / 1.0V
Power Rating	Normal 1.0W. Maximum 2.0 W.
Lowest Resonant Frequency	600 ± 150 Hz.
Output Sound Pressure Level (S.P.L)	81 ± 3 dB /1.0W 0.5Meter Average at 1000,1200,1500,2000Hz Measuring device:see Item 4.(Secundum IEC-268-5 Statute)
Frequency Range	FO $\sim 20,000$ Hz. Average SPL-10 dB.
Distortion	5% Maximum At 1000 Hz. 1.0W.
Abnormal Sound Test	Must be Normal Tested by 2.0Volts. Sine Wave.
Polarity	Diaphragm shall move Forward when Apply a Positive DC Current to the "+" or "Marked" Terminal.
Operating Temperature	-25°C to +50°C
Storage Temperature	-25°C to +55°C

2. Environmental Test

Humidity Test	High Temperature	:	+40°C ± 3 °C
	Relative Humidity	:	90% \sim 95%
	Duration	:	96 Hours
	Duration of recovery	:	6 Hours
Temperature Cycle Test	Temperature	:	+55°C \rightarrow +25°C \rightarrow -25°C \rightarrow +25°C
	Duration	:	1Hour 1Hour 1Hour 1Hour
	Cycle	:	3 Cycles
Vibration Test	Vibration Direction	:	3 axes
	Mounting	:	Unit Shall Be Rigidly Restrained On The Table
	Frequency	:	1,000 Cycle/Minute
	Amplitude	:	1.5m/m
	Endurance	:	1 Hour in Each Plane
	Duration of Transfer Time	:	Less Than 5Minutes
Load Test	White Noise With Weighted Filter 2.0 Volts.(RSM) 100 Hrs. 20~20,000Hz Resonant Frequency.		
Drop Test	75cm Free Falling On Concrete Floor, with 10 times.		

OBO Pro.2

SPECIFICATIONS

MODEL NO.
OBO-35004K-01

PART NAME
DYNAMIC SPEAKER

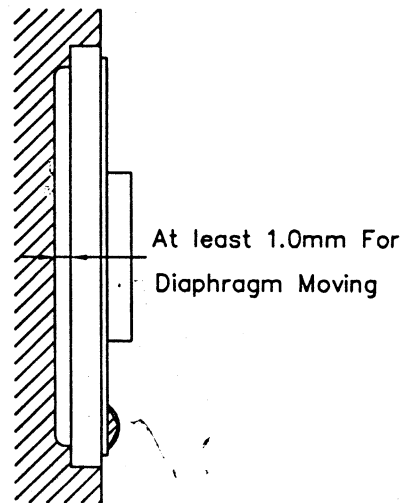
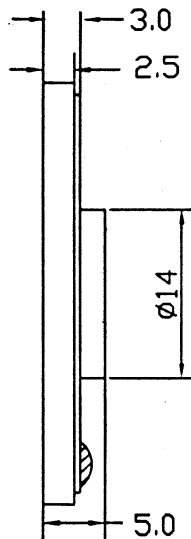
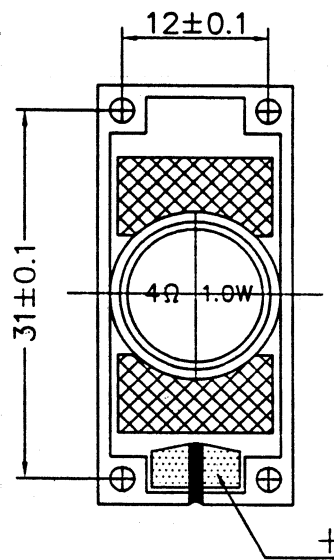
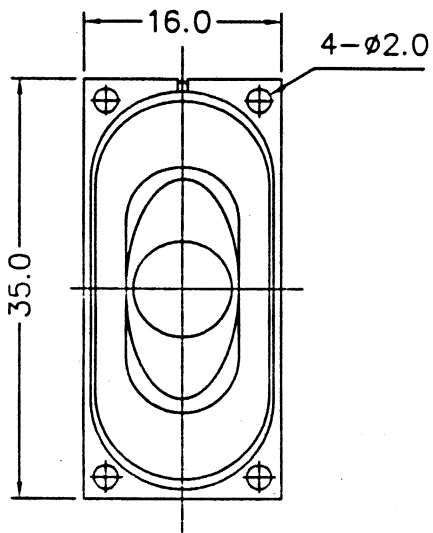
SHEET
3 OF 7

3. Mechanical Layout And Dimensions

OBO PRO 2 INC.
2006 JUN 0 9.
文件发行章

3.1 Dimensions

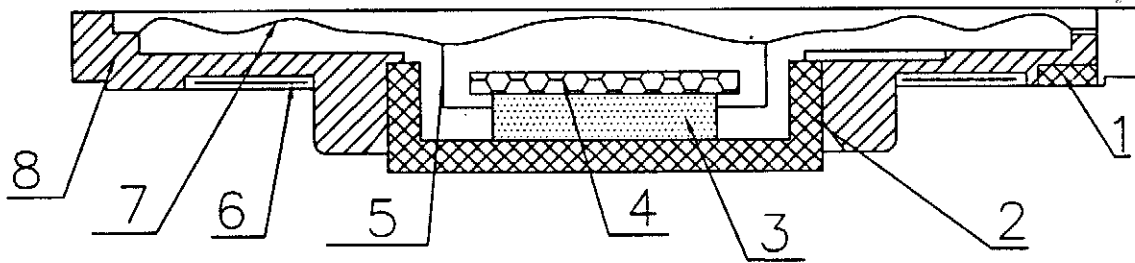
Unit:mm Tolerance:±0.2



※1 PCB Soldering Temperature 380°X Max For 3 Seconds.

OBO
2006 JUN 09
文件发行

3.2 Construction Diagram

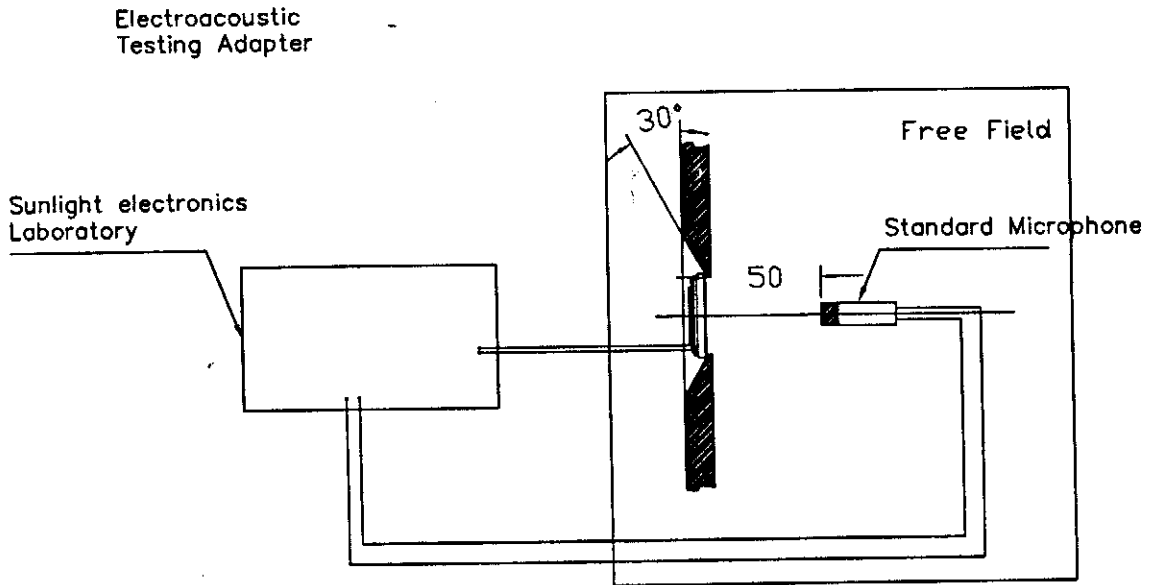


9			
8	PLASTICS CASE	ABS	1
7	DIAPHRAGM	SILK	1
6	CLOTH	CLOTH	1
5	VOICE COIL	DIA 8.74mm	1
4	WASHER	SPCC	1
3	MAGNET	NdFeB	1
2	YOKE	SPCC	1
1	TERMINAL	P.C.B	1
NO	PART NAME	MATERIAL	Q'TY

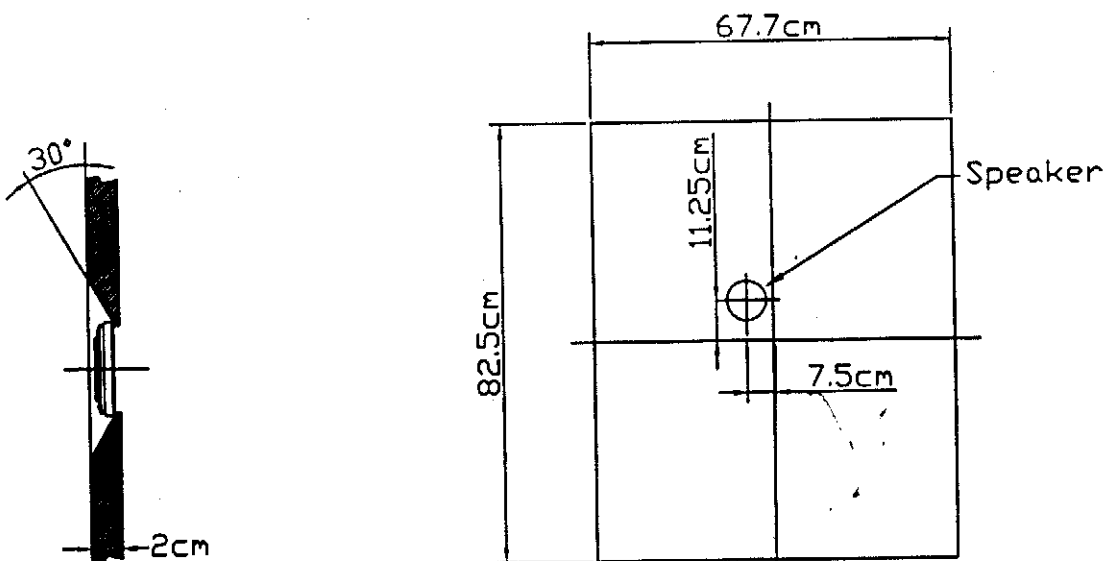
OBO
2006 JUN
文件发

4. Test Method

4.1 Measurement Diagram



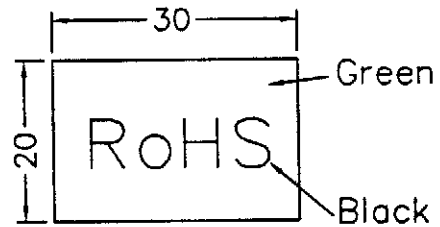
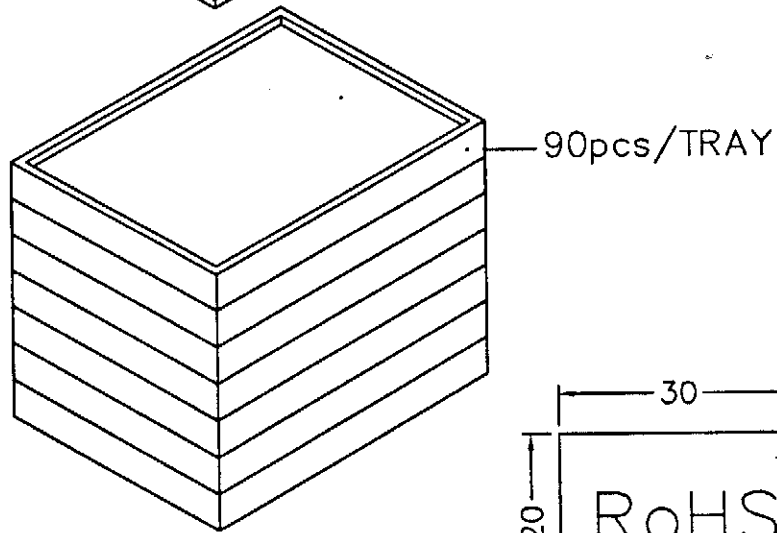
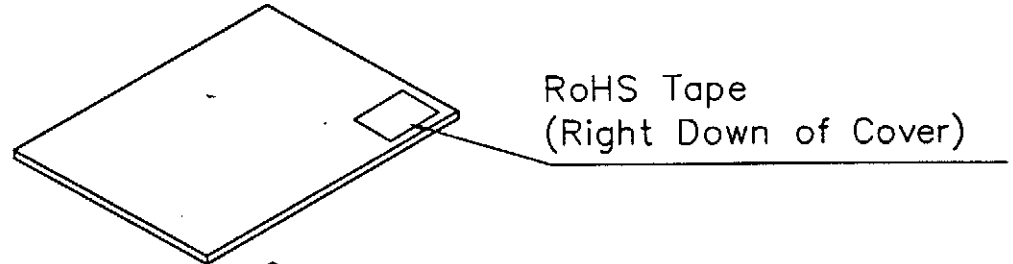
4.2 Standard Baffle



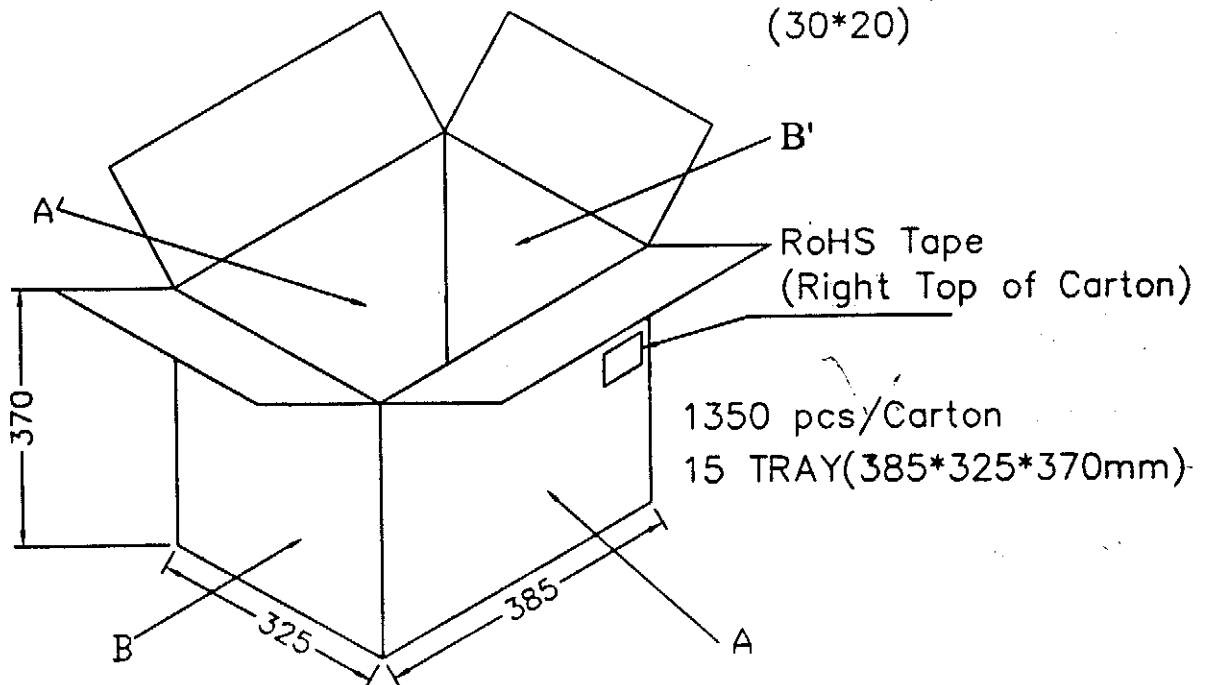
※1 **5. Package**

Unit: mm

OBO
2006 JUN 09.
文件发行章



RoHS Tape
(30*20)

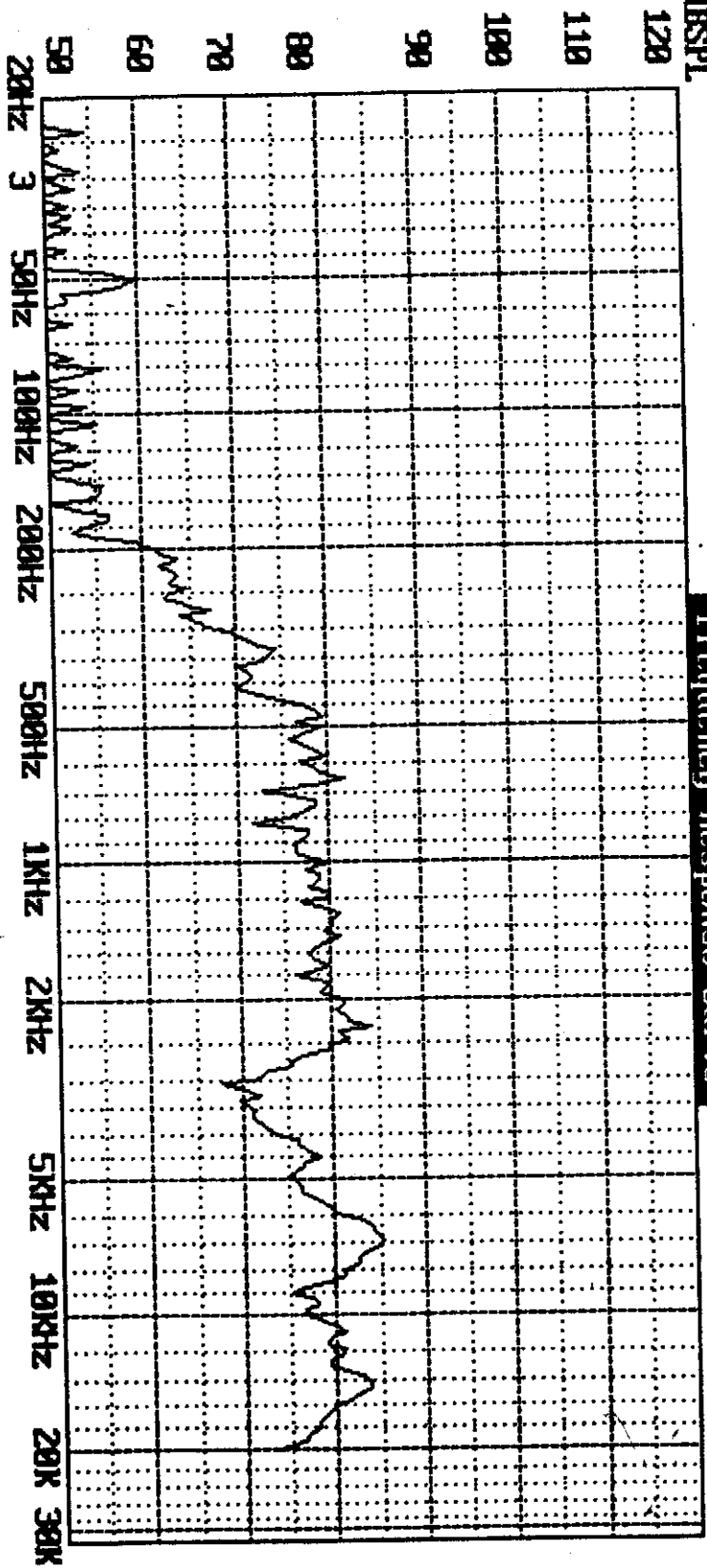


Firm: 0B0-35004K-01 Model: 0B0-35004K-01 DATE: 06-08-2006 TIME: 15:59:44
 1000Hz Sens.: = 79.7dB SPL Pass F.R.: Pass DCR: 5.82R Pass
 Average SPL: 80.1dB SPL Pass (1000:1200:1500:2000Hz) Sweep Speed: 1/24 Oct.

B 6.11

dB SPL

Frequency Response curve



Voltage applied for **F.R.** = 2.000V
 Measuring Distance = 0.50M

Start F. = 20Hz

Stop F. = 20000Hz

Mfg.: 0B0-35004K-01

Measured using Sunlight 1600; Fax: 086-2-22230727