

OBO Pro.2.**SPECIFICATIONS****MODEL NO.**
OBO-35C4**PART NAME**
Piezoelectric Buzzer**SHEET**
1 OF 4**ALTERNATION HISTORY**

Marking	Date	ECN NO.	REV.	Description	Page	PREPARE BY	APPROVE BY
--	May,10,01	-----	E	---	4	林仲祥	吳得生
*1	Jun,10'05	0G0506001	F	Pb-free Soldering	4	Hms	徐俊達
<div data-bbox="1168 614 1419 791" data-label="Text" style="border: 1px solid black; padding: 5px; display: inline-block;"> OBO PRO.2 INC. 2005 JUN 21. 文件发行章 </div>							

REV.	DATE	PREPARED BY	CHECKED BY	APPROVED BY
F	Jun,10'2005	林仲祥 6/11	林仲祥 6/11	徐俊達 6/13/05

Model No. : OBO-35C4

Features : Built-in Circuit & Pb-free Soldering Type*1

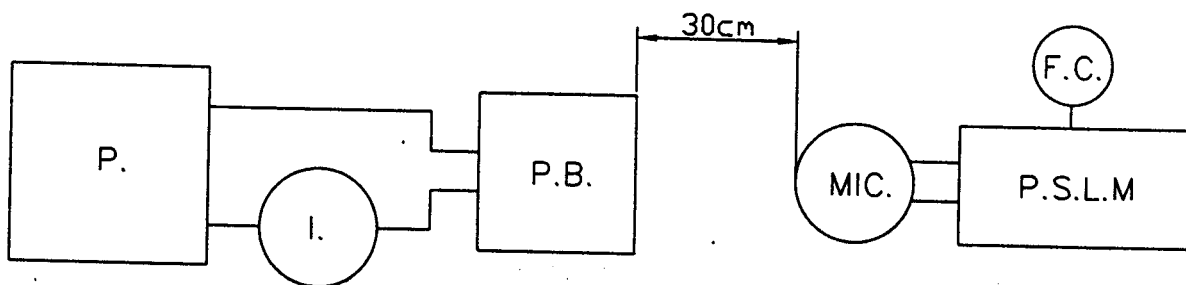


1. General Requirements

Items	Specification
Sound Pressure Level	100dB min./30cm/DC 9V
Oscillating Frequency	2.8 ± 0.5KHz
Current Consumption	12mA max./DC9V
Tone	Continuous Tone
Operating Voltage	PC 3 to 20V
Case Material	PC (UL94V-2)
Lead Pin Material	Phosphor Bronze
Operating Temp. Range	-20°C to +70°C
Storage Temp. Range	-40°C to +85°C
Weight	13.8 gms

2. Test Method

2.1 Standard Method Diagram

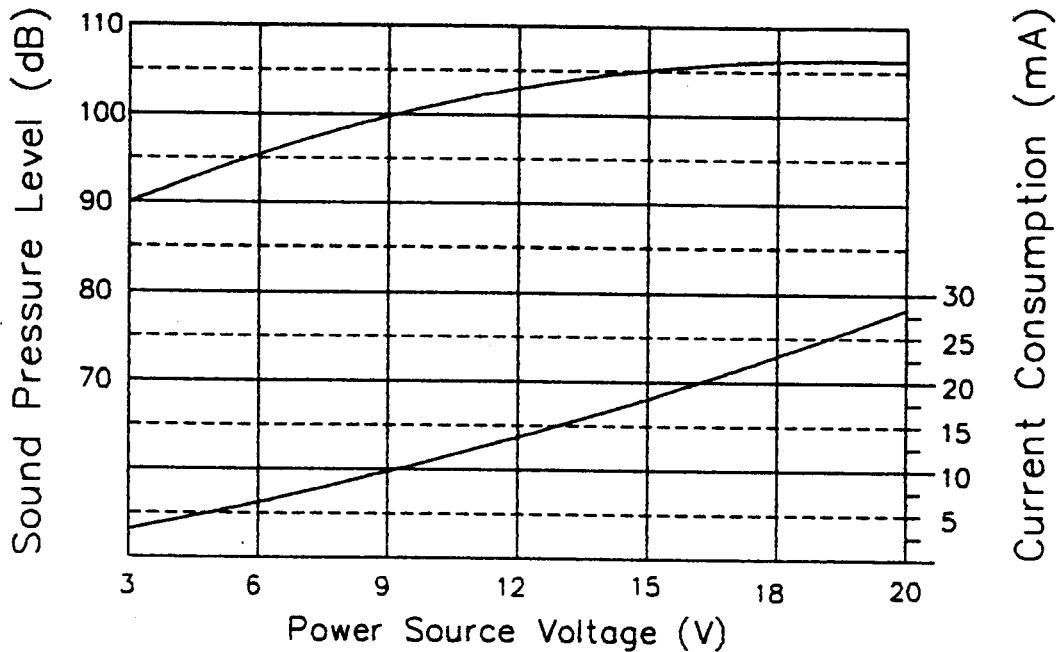


- P.: DC Power Supply GPC-3030D or Equivalent
 S.P.L.M.: Sound Pressure Level Meter IEC651 TYPE2
 I.: Multimeter GDM-8145 or Equivalent
 F.C.: Function Generator GFG-8016G or Equivalent
 P.B.: Piezoelectric Buzzer

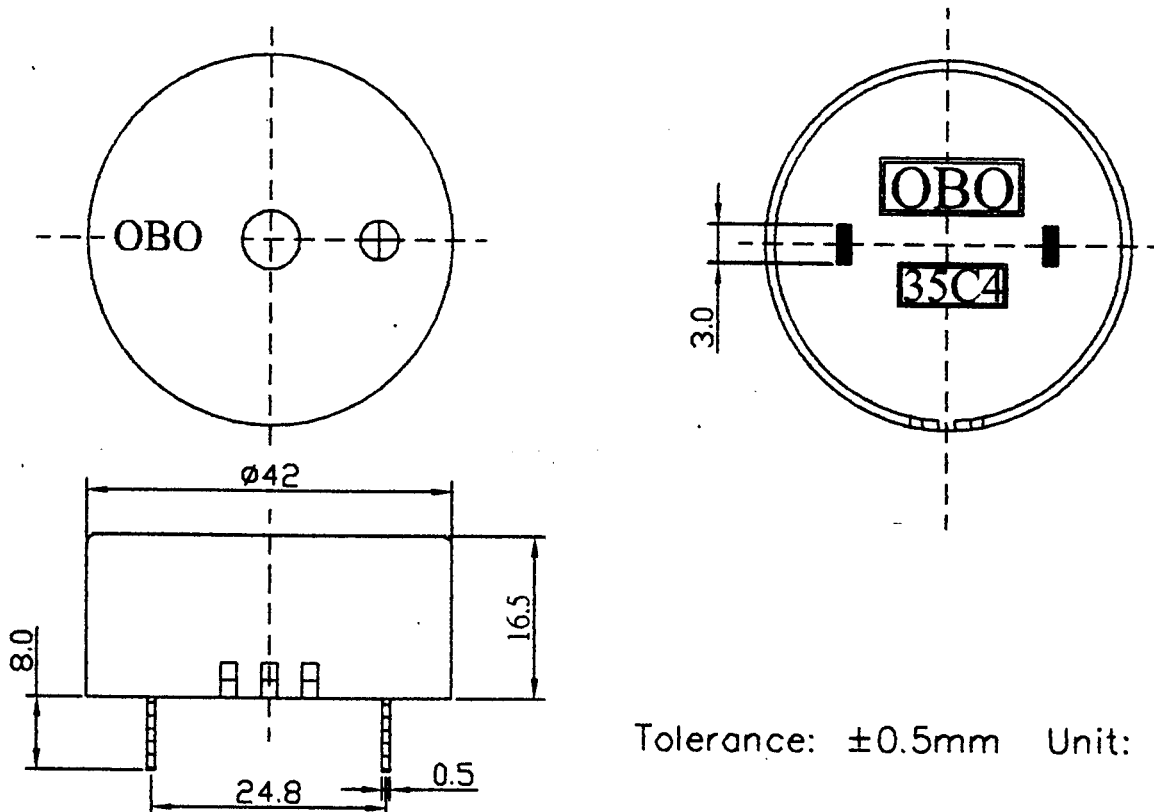
OBO PRO.2 INC.
2005 JUN 21.
文件发行章

2.2 Voltage/Sound Pressure/Current Consumption

Measurement Distance : 30cm./Sound Level Meter By IEC651 TYPE2
Current Consumption By GDM-8145/DC Power Supply By GPC-3030D



3. Appearance and Dimensions



Tolerance: ± 0.5 mm Unit: mm

OBO.Pro.2®

SPECIFICATIONS

MODEL NO.
OBO-35C4

PART NAME
Piezoelectric Buzzer

SHEET
4 OF 4

4. Soldering condition

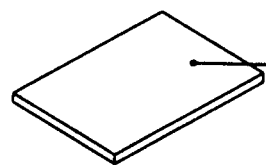
4.1 Hand soldering / touchup
soldering iron tip temperature 350°C for 3 seconds.

OBO PRO. INC.
2005 JUN 21.
文件发行章

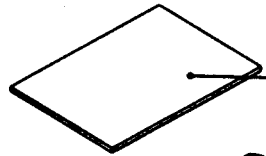
5. Package



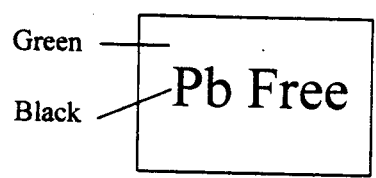
Buzzer



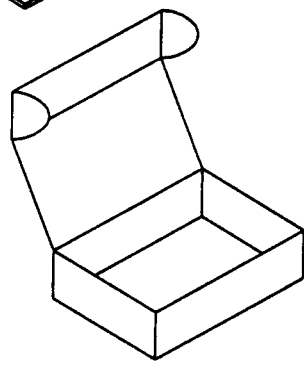
SPONGE(19.5*14.5*0.6cm)
2PCS/inside Box



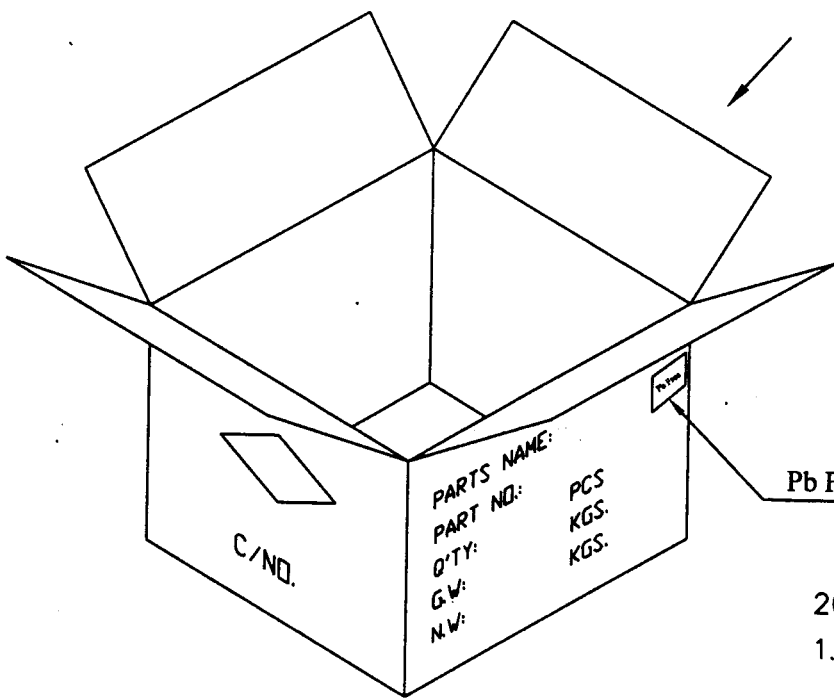
Partition(19.5*14.5*0.32cm)
2PCS/inside Box



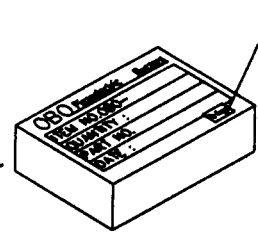
Pb Free Tape
(30*20mm)



30pcs./Inside Box
21.8*15.2*6.1cm



C/NO.
PARTS NAME:
PART NO.: PCS
Q'TY: KGS.
G.W: KGS.
N.W:



Pb Free Tape

Pb Free Tape

20 Box(600pcs.)/Carton
1.74寸 40*38.2*33cm