

OBO.Pro.2.**SPECIFICATIONS****MODEL NO.**
OBO-35T4**PART NAME**
Piezoelectric Buzzer**SHEET**
2 OF 5

Model No. : OBO-35T4

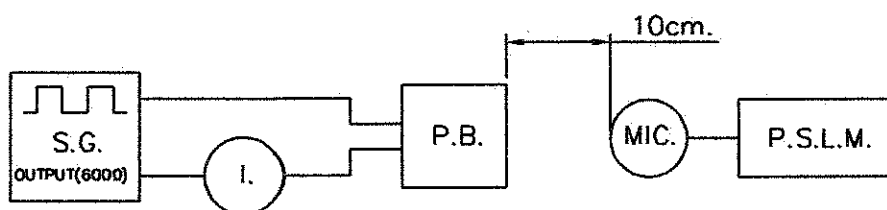
Features : External drive & Pb-free Soldering Type

1. General Requirements

Items	Spec.
Sound Pressure Level	80dB Min. at 800Hz/9Vp-p Square Wave/10cm.
	70dB Min. at 800Hz/1Vrms Sine Wave/10cm.
Capacitance	77,000pF \pm 30% at 120Hz
Current Consumption	4mA Max. at 800Hz/9Vp-p Square Wave
Allowable Input Voltage	40Vp-p Max.
Case Material	ABS(UL 94HB)
Operating Temp. Range	-20°C to +60°C
Storage Temp. Range	-30°C to +70°C
Weight	10.5 gms
Frequency Response	As Per Fig.1

2. Test Method

2.1 Standard Test Diagram



- S.G. : GAG-808G Audio Generator or Equivalent
 MIC. : B&K-4176 Micphone or Equivalent
 P.S.L.M. : B&K-2232 Precision Sound Level Meter or Equivalent
 I. : GDM-8145 Multimeter or Equivalent
 P.B. : Piezoelectric Buzzer

Note: Please pay attention never to be applied DC voltage to piezo sounder

OBO.Pro.2.

SPECIFICATIONS

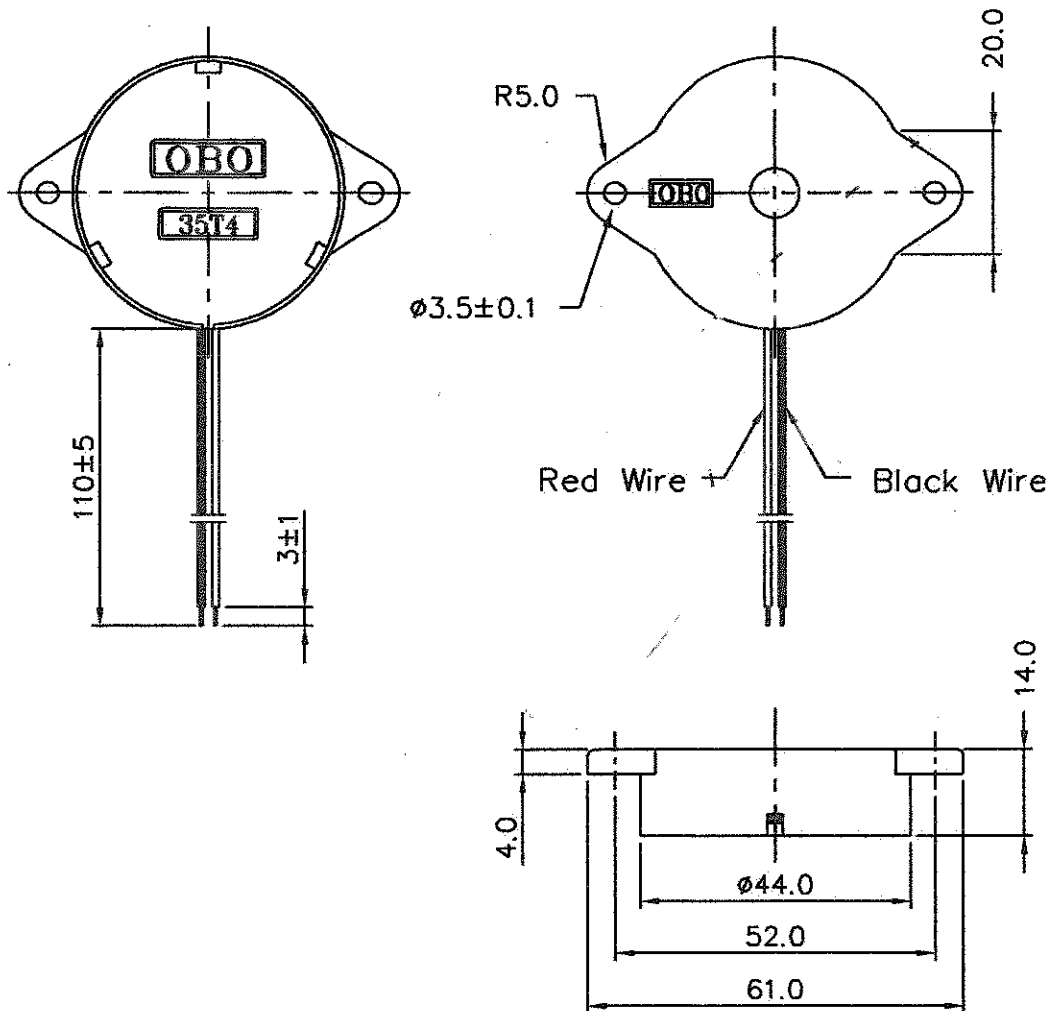
MODEL NO.
OBO-35T4

PART NAME
Piezoelectric Buzzer

SHEET
3 OF 5

3. Appearance and Dimensions

Unit : mm Tolerance : ± 0.5



Customer	Lead Wire
Standard	UL1095#28

OBO Pro.2

SPECIFICATIONS

MODEL NO.
OBO-35T4

PART NAME
Piezoelectric Buzzer

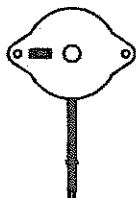
SHEET
4 OF 5

4. Soldering condition

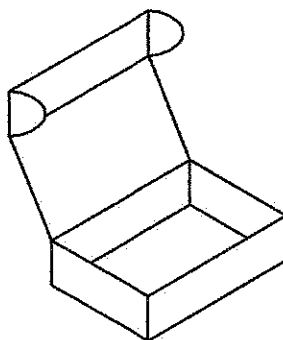
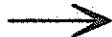
4.1 Hand soldering / touchup

soldering iron tip temperature 380 °C for 3 seconds.

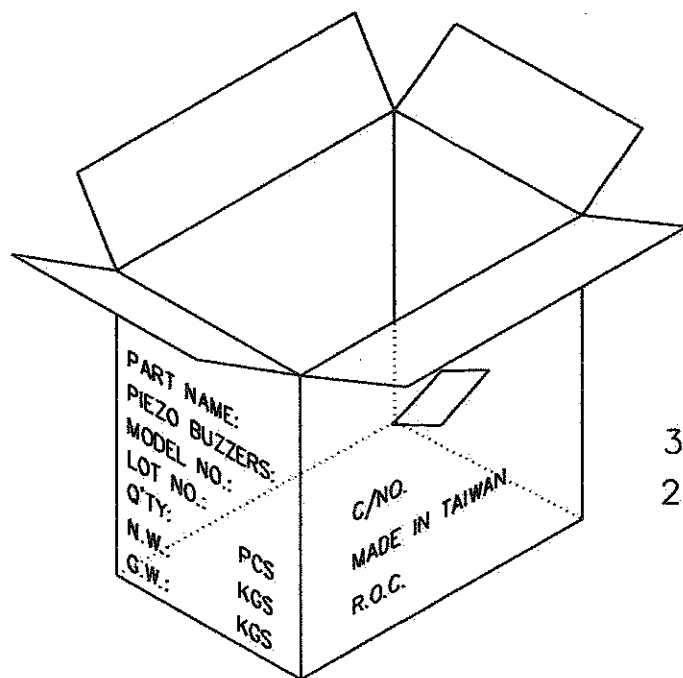
5. Package



Buzzer

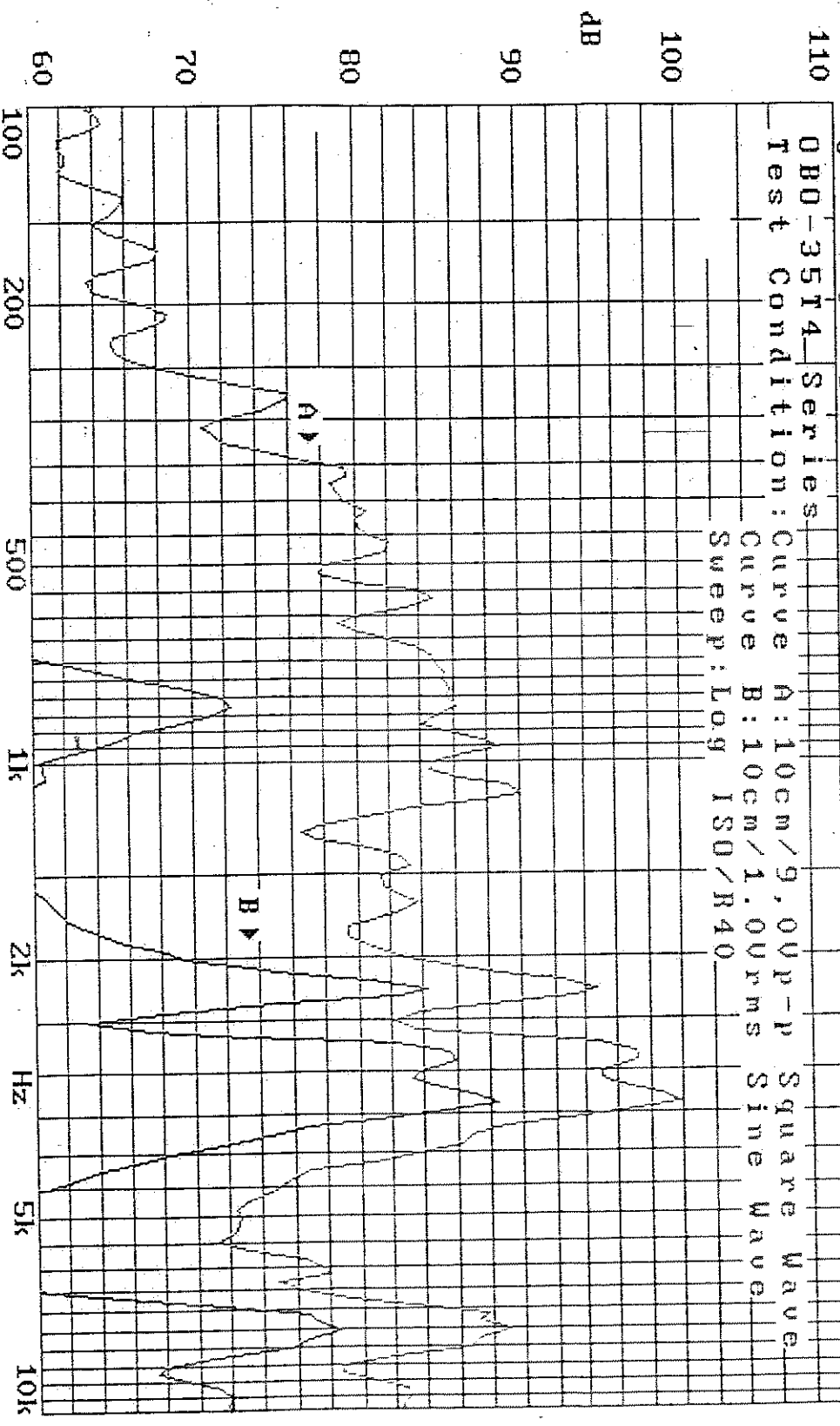


50pcs./ Box
21.8*15.2*6.1cm



30 Box(1,500pcs)/ Carton
2.52±(488*452*352mm)

Fig. 2: Frequency Responses, Magn dB re 20.00µPa



21-JUN-2002 14:37:00

Mode: SSR

