

**OBO Pro.2****SPECIFICATIONS****MODEL NO.**  
OBO-36025F-01**PART NAME**  
DYNAMIC SPEAKER**SHEET**  
1 OF 7**ALTERNATION HISTORY**

Marking	Date	ECN NO.	REV.	Description	Page	PREPARE BY	APPROVE BY
※1	JUN,12,2006	DG0606012	C	1. Change to RoHS Type	7	蔡愛國	K.C. Wang

OBO PRO  
2006 JUN 19.  
文件发行章

REV.	DATE	PREPARED BY	CHECKED BY	APPROVED BY
C	JUN,12,2006	蔡愛國	K.C. Wang	K.C. Wang

**OBO.Pro.2.****SPECIFICATIONS****MODEL NO.**  
OBO-36025F-01**PART NAME**  
DYNAMIC SPEAKER**SHEET**  
2 OF 7**MODEL NO : OBO-36025F-01**

Features:Conformity RoHS Directive(2002/95/EC) Requests.(\*)

2006 JUN 19.  
文件发行章**1. General Specifications**

Items	Spec.
Magnet	Materials NdFeB Size: $\phi 12.5 \times 1.5 \text{mm}$
Weight	Approx 8.5 Grams
Nominal Impedance	25 Ohm $\pm$ 15% At 1000 Hz.
Power Rating	Normal 0.2W. Maximum 0.5W.
Lowest Resonant Frequency	500 $\pm$ 150 Hz.
Output Sound Pressure Level (S.P.L)	81 $\pm$ 3dB 0.2Watt. 0.5Meter. Average at 800,1000,1200,1500Hz.
Frequency Range	320~7200 Hz. Average SPL-10 dB.
Distortion	5% Maximum At 1000Hz. 0.2W.
Abnormal Sound Test	Must be Normal Tested by 2.24Volts. Sine Wave.
Polarity	Diaphragm shall move Forward when Apply a Positive DC Current to the "+" or "Marked" Terminal.
Operating Temperature	-25°C to +50°C
Storage Temperature	-25°C to +55°C

**2. Environmental Test**

Humidity Test	High Temperature	:	+40°C $\pm$ 3°C
	Relative Humidity	:	90% ~ 95%
	Duration	:	96 Hours
	Duration of recovery	:	6 Hours
Temperature Cycle Test	Temperature	:	+55°C $\rightarrow$ +25°C $\rightarrow$ -25°C $\rightarrow$ +25°C
	Duration	:	1Hour 1Hour 1Hour 1Hour
	Cycle	:	3 Cycles
Vibration Test	Vibration Direction	:	3 axes
	Mounting	:	Unit Shall Be Rigidly Restrained On The Table
	Frequency	:	1,000 Cycle/Minute
	Amplitude	:	1.5m/m
	Endurance	:	1 Hour in Each Plane
	Duration of Transfer Time	:	Less Than 5Minutes
Load Test	White Noise With Weighted Filter 2.24Volts.(RMS) 100 Hrs. 20~20,000Hz Resonant Frequency.		
Drop Test	75cm Free Falling On Concrete Floor, with 10 times.		

**OBO Pro.2.**

**SPECIFICATIONS**

**MODEL NO.**  
OBO-36025F-01

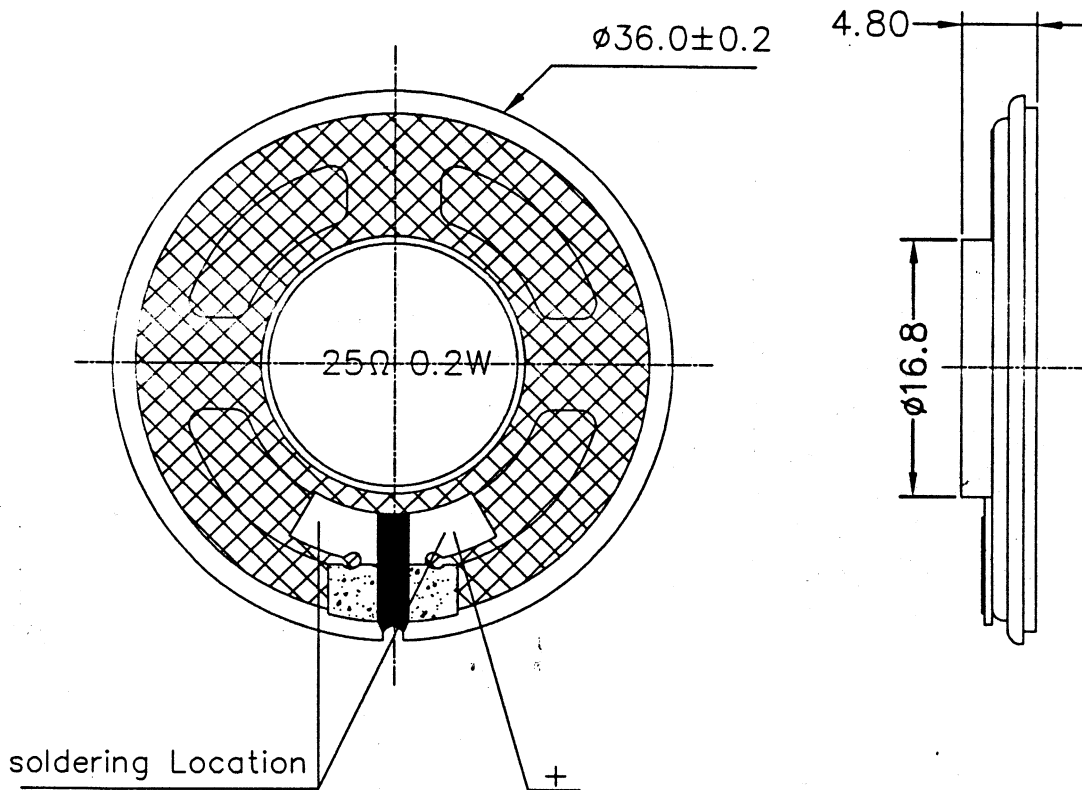
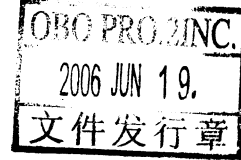
**PART NAME**  
DYNAMIC SPEAKER

**SHEET**  
3 OF 7

**3. Mechanical Layout And Dimensions**

3.1 Dimensions

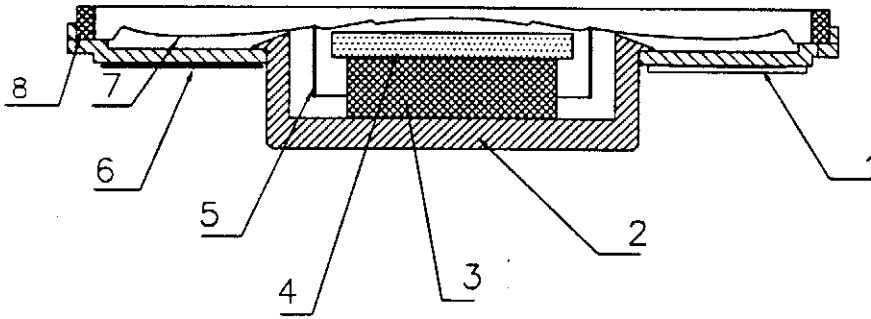
Unit: mm Tolerance:  $\pm 0.3$



※1 PCB Soldering Temperature 380° Max For 3 Seconds.

### 3.2 Construction Diagram

OBO PRO  
2006 JUN 19.  
文件发行章



9			
8	GASKET	ABS	
7	DIAPHRAGM	MYLAR	1
6	CLOTH	CLOTH	1
5	VOICE COIL	DIA 13.4mm	1
4	WASHER	SPCC	1
3	MAGNET	NdFeB	1
2	YOKE	SPCC	1
1	TERMINAL	P.C.B	1
NO	PART NAME	MATERIAL	Q'TY

**OBO Pro.2**

**SPECIFICATIONS**

**MODEL NO.**  
OBO-36025F-01

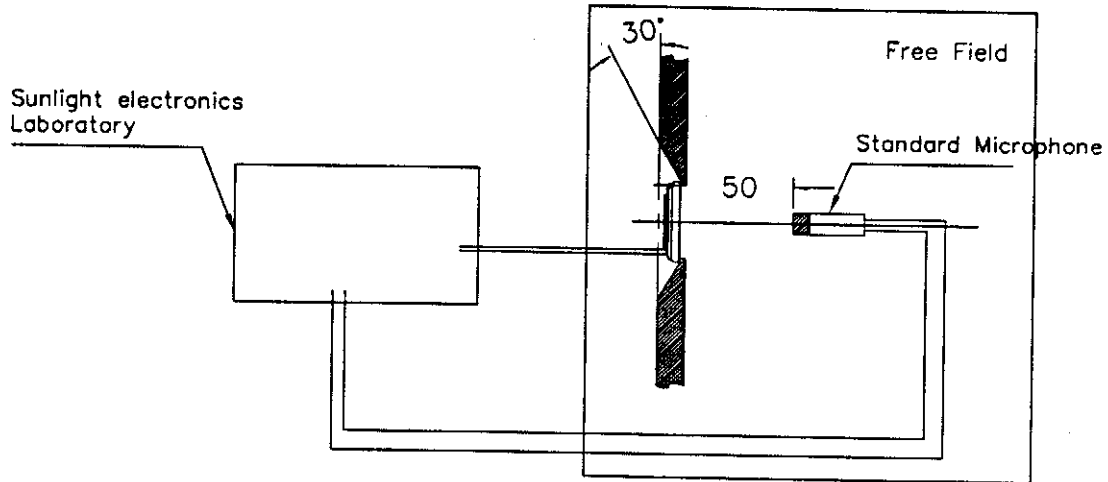
**PART NAME**  
DYNAMIC SPEAKER

**SHEET**  
5 OF 7

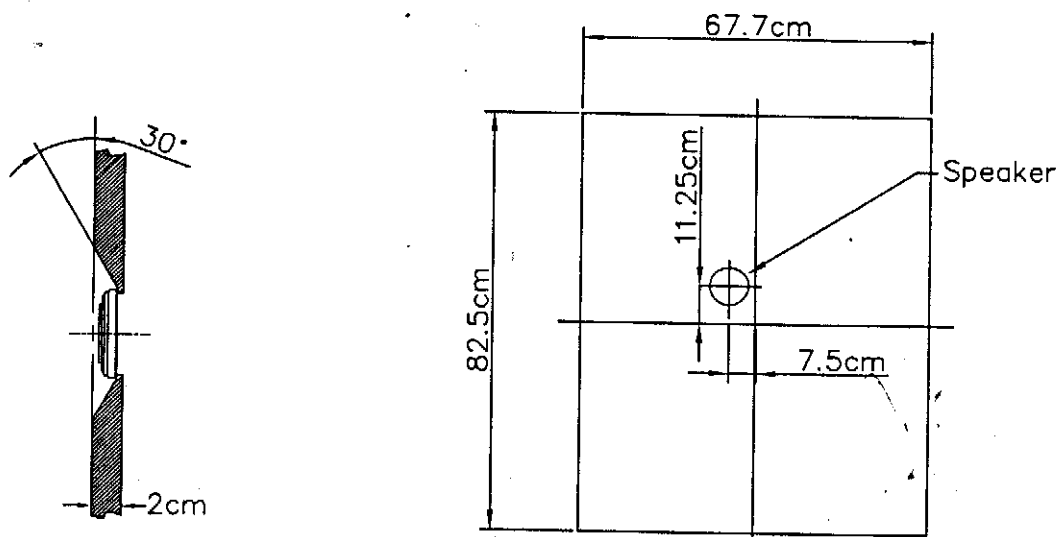
**4. Test Method**

4.1 Measurement Diagram

Electroacoustic  
Testing Adapter



4.2 Standard Baffle



OBO PRO  
2006 JUN 19.  
文件发行

**OBO Pro.2**

**SPECIFICATIONS**

**MODEL NO.**  
OBO-36025F-01

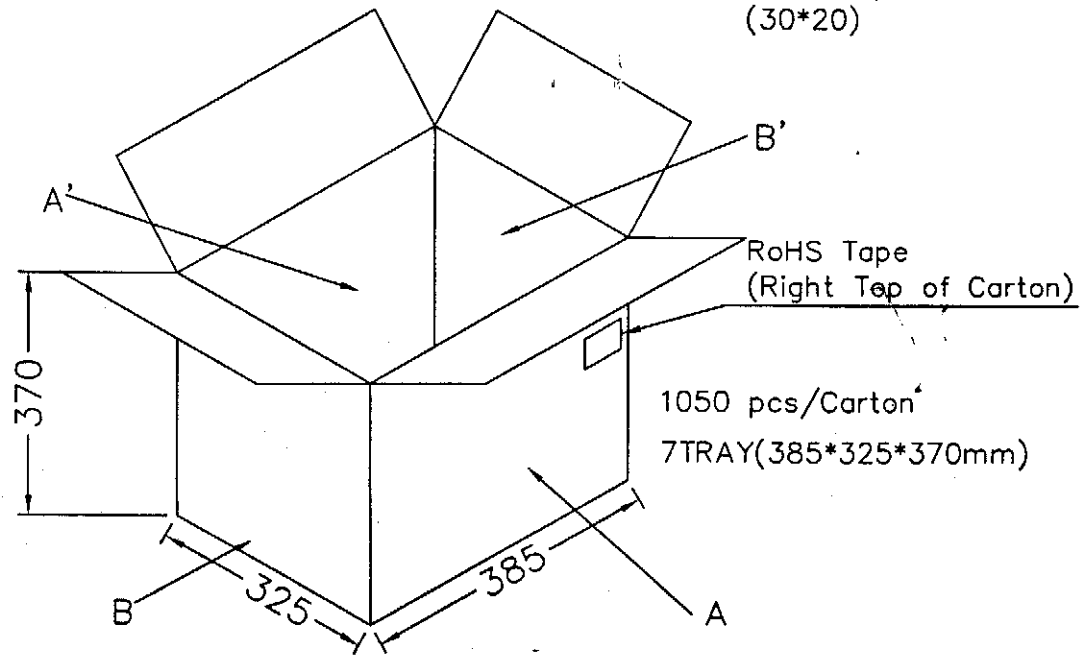
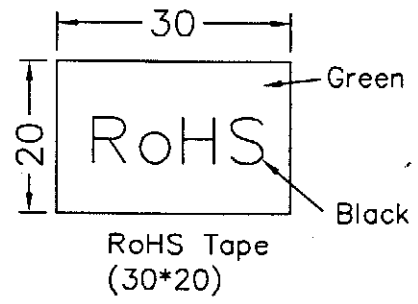
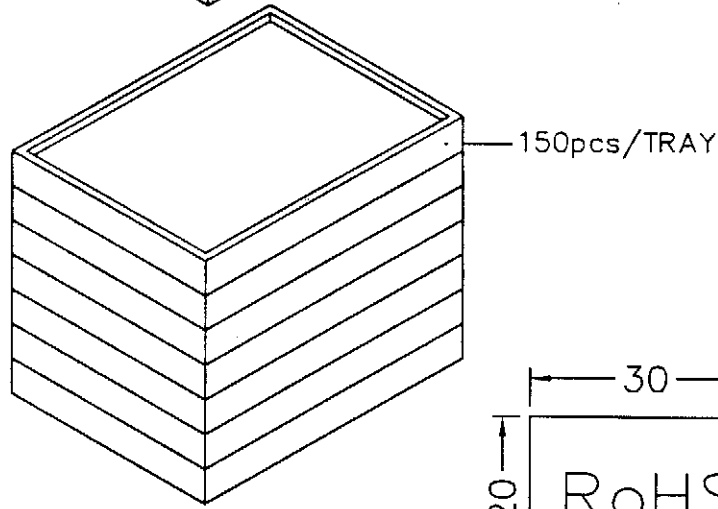
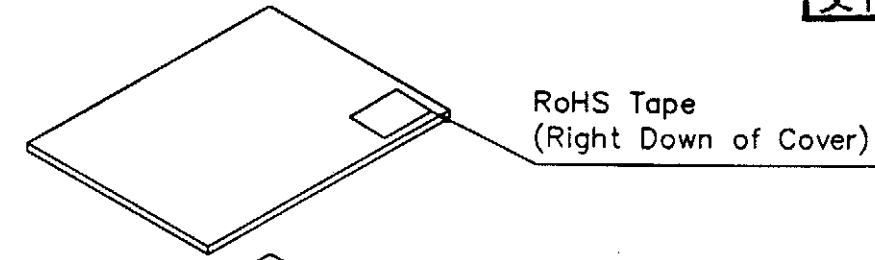
**PART NAME**  
DYNAMIC SPEAKER

**SHEET**  
6 OF 7

**※1 5. Package**

Unit: mm

OBO PRO  
2006 JUN 19.  
文件发行章

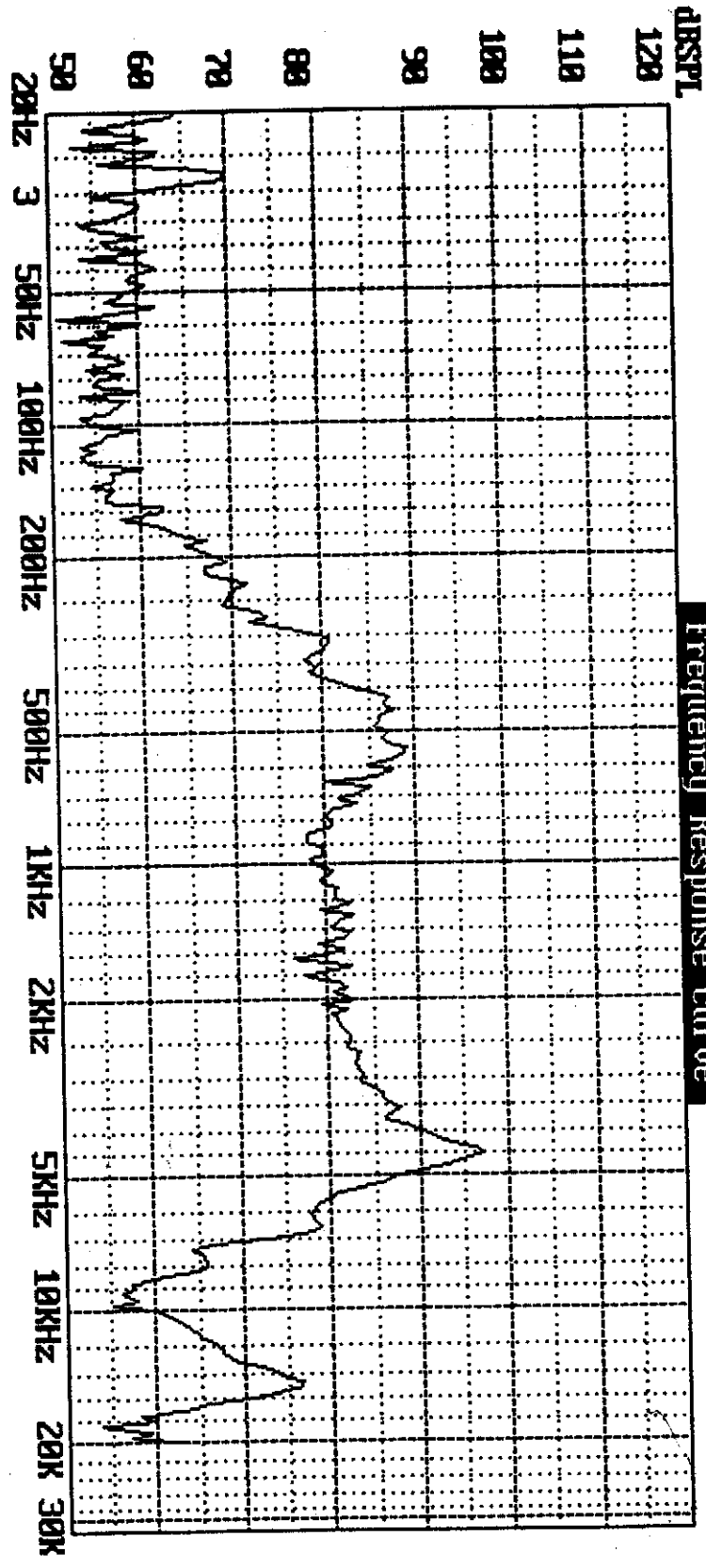


Firm: OBO      Model: OBO-36025F-01      DATE: 07-04-2006      TIME: 15:32:43  
 1000Hz Sens. = 78.9dB SPL Pass      F.R.: Pass      DCR: 25.63R Pass  
 Average SPL: 79.9dB SPL Pass      (800:1000:1200:1500Hz) Sweep Speed: 1/24 Oct.

B 6.11

dB SPL

Frequency Response curve



Voltage applied for F.R. = 2.240V      Start F. = 20Hz      Stop F. = 20000Hz  
 Measuring Distance = 0.50M

Mfg.: OBO-36025F-01      Measured using Sunlight 1600; Fax: 886-2-22230727