

# OBO PRO.2 INC.

文件發行章

No. 224-9, LANE 105, YUNG-FENG ROAD, PA-TE CITY, TAOYUAN, TAIWAN, R.O.C.  
TEL:886-3-361-4436 FAX:886-3-361-4437  
E-MAIL:ofo@obo.com.tw Website:www.obo.com.tw

## SPECIFICATION

### 1. SCOPE

This specification is applied to the piezoelectric diaphragm.

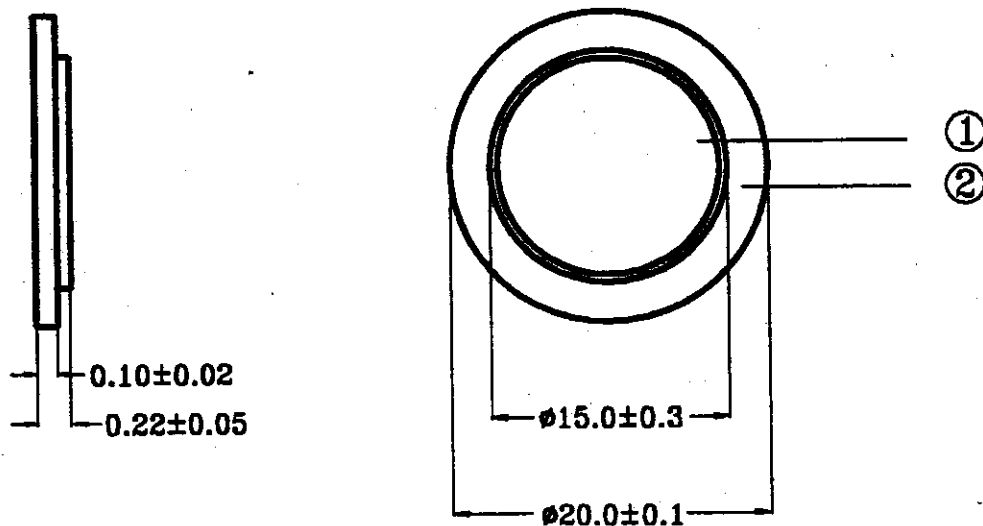
2. MODEL NO. : OBO-TE20239-16

### 3. SPECIFICATION(at 25 °c)

- 3.1 Resonant Frequency :  $3.9 \pm 0.5$  KHz
- 3.2 Resonant Resistance : 400 OHM max.
- 3.3 Capacitance :  $25,000\text{pF} \pm 30\%$  at 120Hz
- 3.4 Input Voltage : 30Vp-p max
- 3.5 Operating Temperature :  $-20^{\circ}\text{C}$  to  $+60^{\circ}\text{C}$
- 3.6 Storage Temperature :  $-20^{\circ}\text{C}$  to  $+70^{\circ}\text{C}$
- 3.7 Dimension : as per Figure 1.

- ① Piezoelectric Ceramics
- ② Brass Plate

Figure 1. Unit :m.m



Drawing by	Checked by	Approved by	DWG. NO.
林仲祥 5/14	啓弘 88.5.14 羅仁豐	啓弘 88.5.14 羅仁豐	STE068-C