

# OBO PRO.2 INC.

No. 224-9, LANE 105, YUNG-FENG ROAD, PA-TE CITY, TAOYUAN, TAIWAN, R.O.C.  
 TEL:886-3-361-4436 FAX:886-3-361-4437  
 E-MAIL:obo@obo.com.tw Website:www.obo.com.tw

## SPECIFICATION

### 1. SCOPE

This specification is applied to the piezoelectric diaphragm.

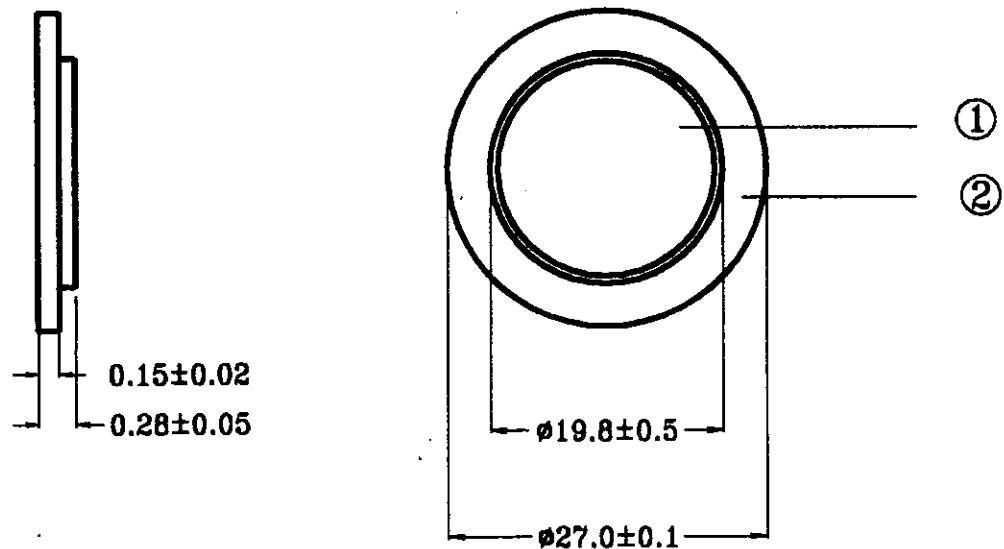
2. MODEL NO. : OBO-TE27226-16



### 3. SPECIFICATION(at 25 °c)

- 3.1 Resonant Frequency : 2.6 ± 0.3KHz
- 3.2 Resonant Resistance : 300 OHM max.
- 3.3 Capacitance : 45,000pF ± 30% at 120Hz
- 3.4 Input Voltage : 30Vp-p max.
- 3.5 Operating Temperature : -20°C to +60°C
- 3.6 Storage Temperature : -20°C to +70°C
- 3.7 Dimension : as per Figure 1.

- ① Piezoelectric Ceramics
- ② Brass Plate

Figure 1. Unit :m.m



Drawing by	Checked by	Approved by	DWG. NO.
林仲祥 5/14	 88.5.14 馮仁男	 88.5.14 馮仁男	STE088-C