

OBO PRO.2 INC.

文件發行章

No. 224-9, LANE 105, YUNG-FENG ROAD, PA-TE CITY, TAOYUAN, TAIWAN, R.O.C.
TEL:886-3-361-4436 FAX:886-3-361-4437
E-MAIL:obo@obo.com.tw Website:www.obo.com.tw

SPECIFICATION

1. SCOPE

This specification is applied to the piezoelectric diaphragm.

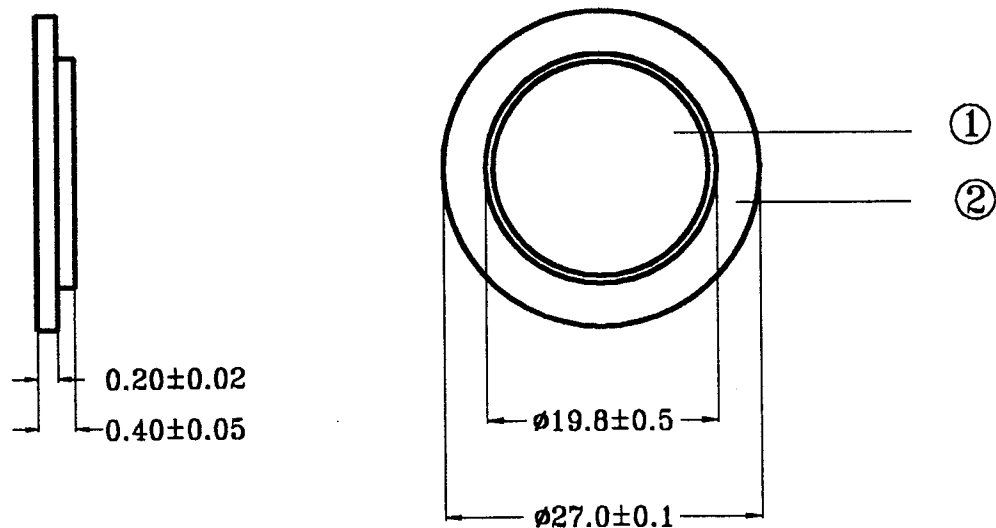
2. MODEL NO. : OBO-TE27234-16

3. SPECIFICATION(at 25 °c)

- 3.1 Resonant Frequency : 3.4 ± 0.5 KHz
- 3.2 Resonant Resistance : 400 OHM max
- 3.3 Capacitance : 24,000pF \pm 30% at 120Hz
- 3.4 Input Voltage : 30Vp-p max.
- 3.5 Operating Temperature : -20°C to $+60^{\circ}\text{C}$
- 3.6 Storage Temperature : -20°C to $+70^{\circ}\text{C}$
- 3.7 Dimension : as per Figure 1.

- ① Piezoelectric Ceramics
- ② Brass Plate

Figure 1. Unit :m.m



Drawing by	Checked by	Approved by	DWG. NO.
林仲祥 5/14	啓弘 88. 5. 14 馮仁男	啓弘 88. 5. 14 馮仁男	STE078-C