

OBO PRO.2 INC.

文件發行章

No. 224-9, LANE 105, YUNG-FENG ROAD, PA-TE CITY, TAOYUAN, TAIWAN, R.O.C.
TEL:886-3-361-4436 FAX:886-3-361-4437
E-MAIL:oob@oob.com.tw Website:www.oob.com.tw

SPECIFICATION

1. SCOPE

This specification is applied to the piezoelectric diaphragm

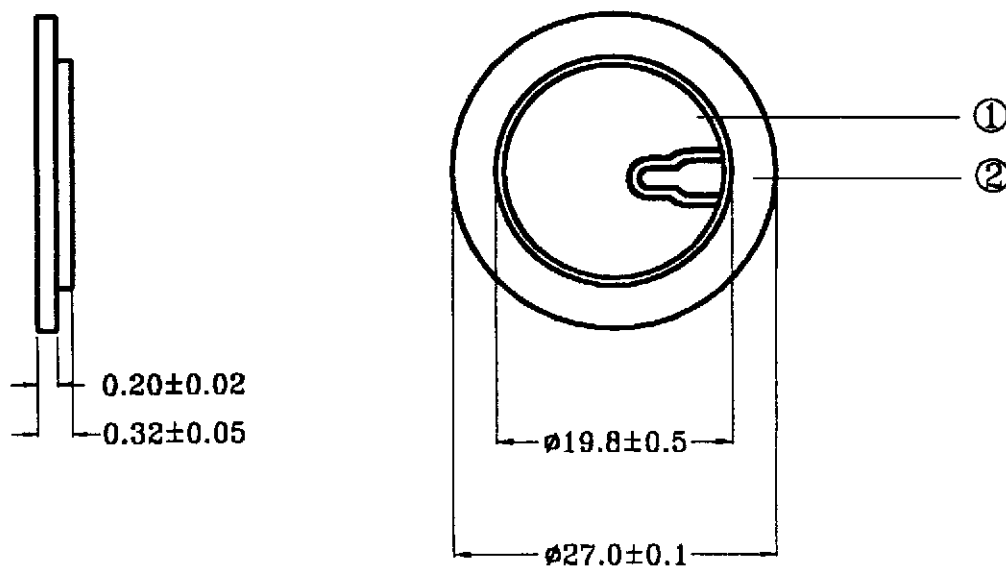
2. MODEL NO. : OBO-TE27326-16

3. SPECIFICATION(at 25 °c)

3.1 Resonant Frequency : 2.6 ± 0.4KHz
3.2 Resonant Resistance : 400 OHM max.
3.3 Capacitance : 33,000pF ± 30% at 120Hz
3.4 Input Voltage : 30Vp-p max.
3.5 Operating Temperature : -20°C to +60°C
3.6 Storage Temperature : -20°C to +70°C
3.7 Dimension : as per Figure 1.

- ① Piezoelectric Ceramics
- ② Brass Plate

Figure 1. Unit :m.m



Drawing by

林仲祥 5/14

Checked by

啓弘
88.5.14
譚仁男

Approved by

啓弘
88.5.14
譚仁男

DWG. NO.

STE081-C