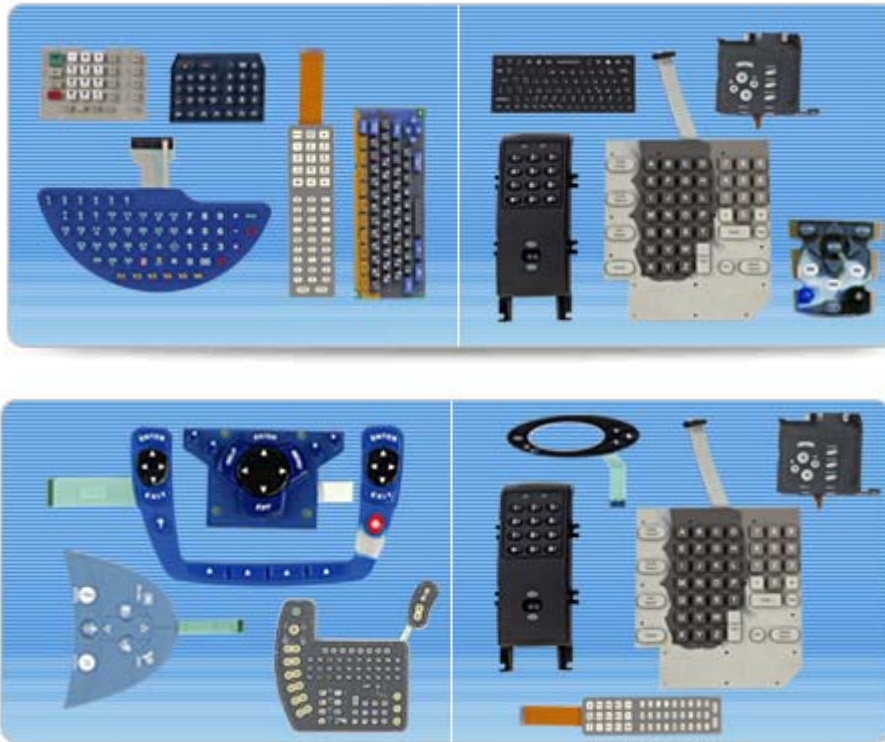


**Rubber Keypad**

Main Products: Complete Switches (1)

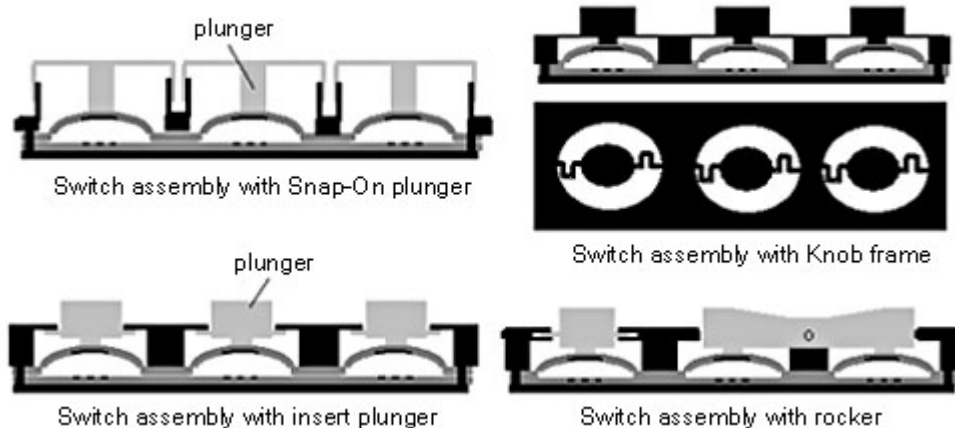


**Description:** A polydome membrane or an embossed Smart Membrane in a plastic enclosure.

**Structure:** The membrane package is mounted in a customized plastic case. The connection to an electronic part can be realized by wire and plug, a membrane jumper (more cost effective).

**Data:** Fixed by the membrane datas and the plastic enclosure. The enclosure has to meet two points: Customers specifications in respect to design and function, Realization of a longer switch-travel

**Main Products: Complete Switches (2)**  
**-Switch Assemblies with Keycaps**



**Main Products: Complete Switches (3)  
-Switch Assemblies with Silicone Rubber**

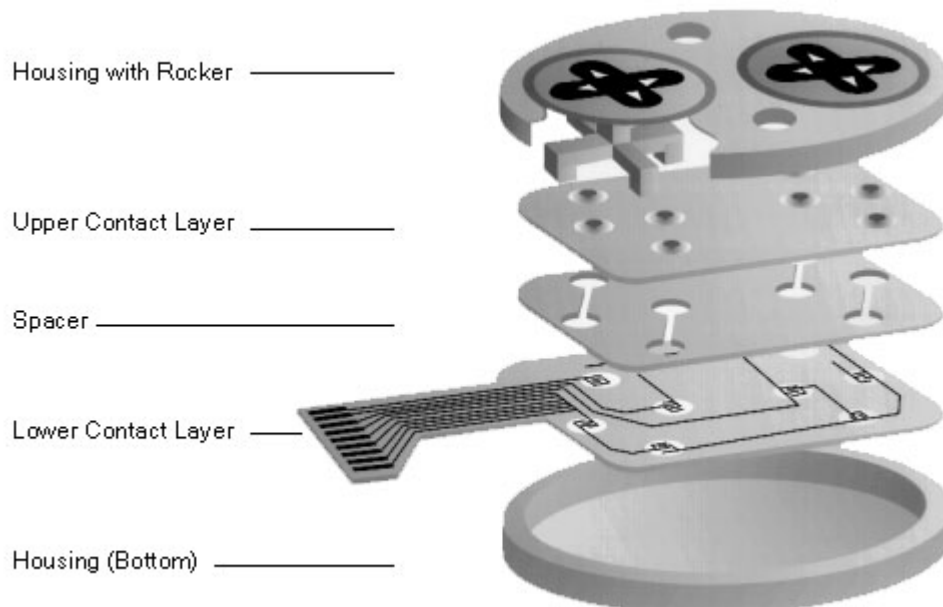


Keypads with poly-dome for tactile feedback



Membrane switch with silicone rubber keycaps

**Main Products: Complete Switches (4)  
-General Design**



**Main Products: Complete Switches (5)**

- Switch Cluster with Indirect Actuated Membrane
- Switch and Backlighting

