

EQRD-026-04.00-TTL-STL-3

EQRD SERIES

(0.80 mm) .0315"

Q RATE[®] COAX CABLE ASSEMBLY

SPECIFICATIONS

For complete specifications and recommended PCB layouts see www.samtec.com?EQRD

- Cable:** 34 AWG micro ribbon coax cable
- Signal Routing:** 50 Ω Single-Ended
- Overall Length:** (95.3 mm) 03.75" to (1 m) 40" standard
- Cable Flexing Life:** >10,000 cycles
- Cable Bending Radius:** <2.5 mm
- Plating:** Au over 50 μ" (1.27 μm) Ni
- Cable Propagation Delay:** 4.4 nsec/meter
- Operating Temp Range:** -25 °C to +105 °C
- RoHS Compliant:** Yes

Mates with:
QRF8, QRM8

EDGE RATE[®]
CONTACT

Edge Rate[®] contacts

EYE[®]
SPEED
CABLE

34 AWG micro ribbon coax cable

Slim body design

HIGH-SPEED CHANNEL PERFORMANCE

EQRD

Rating based on Samtec reference channel.
For full SI performance data visit Samtec.com or contact SIG@samtec.com

14
G b p s

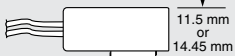
RECOGNITIONS

For complete scope of recognitions see www.samtec.com/quality



FILE NO. E111594

APPLICATIONS



Processing conditions will affect mated height.

ALSO AVAILABLE (MOV Required)

- Other sizes and lengths
- Other terminations
- Other wire AWG

Notes:

Cable lengths longer than 40.00" (1 meter) are not supported with S.I. test data.

Design your High-Speed Cable with Samtec's High-Speed Cable Solutionator[®] at www.samtec.com/hdr

Some lengths, styles and options are non-standard, non-returnable.

EQRD	NO. OF POSITIONS	WIRE LENGTH	END NO. 1	END NO. 2	WIRING OPTION	SCREW OPTION
------	------------------	-------------	-----------	-----------	---------------	--------------

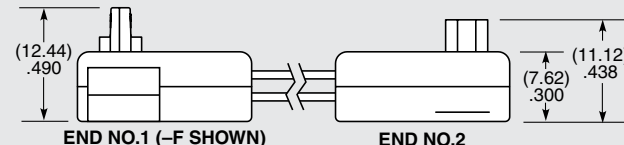
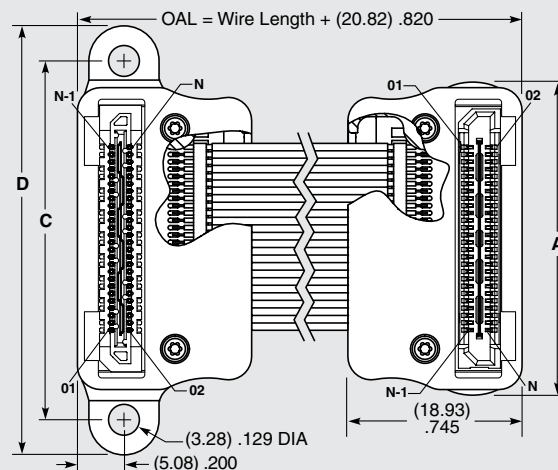
-026, -052, -078
(Per Row)

- "XX.XX"
= Wire Length in Inches
(43.7 mm) 01.72" minimum

- TTR = Terminal, Top Right
- TTL = Terminal, Top Left
- TBR = Terminal, Bottom Right
- TBL = Terminal, Bottom Left
- STR = Socket, Top Right
- STL = Socket, Top Left
- SBR = Socket, Bottom Right
- SBL = Socket, Bottom Left

- 1 = Pin 1 to Pin 1
- 2 = Pin 1 to Pin 2
- 3 = Pin 1 to Pin N-1
- 4 = Pin 1 to Pin N

- Leave blank for no Screw Option
- F = Screw option (First end only)
- S = Screw option (Second end only)
- B = Screw option (Both ends)



NO. OF POSITIONS	A	C	D
-026	(33.02) 1.300	(39.12) 1.540	(46.74) 1.840
-052	(57.81) 2.276	(63.91) 2.516	(71.53) 2.816
-078	(82.63) 3.253	(88.70) 3.492	(96.32) 3.792