

EQRP-018-08.00-STR-TTL-1

**EQRP SERIES**

**(0.80 mm) .0315"**

# Q RATE<sup>®</sup> TWINAX CABLE ASSEMBLY

## SPECIFICATIONS

For complete specifications and recommended PCB layouts see [www.samtec.com?EQRP](http://www.samtec.com?EQRP)

**Cable:** 32 AWG twinax micro ribbon

**Signal Routing:** 100 Ω Differential

**Cable Bending Radius:** (11.11 mm) 7/16" min

**Plating:** Au over 50 μ" (1.27 μm) Ni

**Current Rating:** Signal Contact: .6 A per pin (All adjacent pins powered)  
Ground Plane: 7.9 A per ground plane (1 ground plane powered)

**Propagation Delay:** 4.67 nsec/meter

**Operating Temp Range:** -25 °C to +105 °C

**Skew (pair-to-pair):** <10 ps/ft

**Skew (within a pair):** <5 ps/ft

**EMI Performance:** FCC Class A

**RoHS Compliant:** Yes

Mates with:  
QRF8-DP, QRM8-DP

Edge Rate<sup>®</sup> contacts

Differential routing

**EDGE RATE<sup>®</sup>**  
CONTACT

Integral ground/  
power plane

Slim  
body design

**EYE<sup>®</sup>**  
SPEED  
CABLE

32 AWG twinax  
ribbon cable

## RECOGNITIONS

For complete scope of recognitions see [www.samtec.com/quality](http://www.samtec.com/quality)



FILE NO. E111594

## APPLICATIONS



Processing conditions will affect mated height.

## Notes:

Cable lengths longer than 40.00" (1 meter) are not supported with S.I. test data.

Design your full cable assembly with Samtec's High-Speed Cable Builder at [www.samtec.com/cablebuilder](http://www.samtec.com/cablebuilder)

Some lengths, styles and options are non-standard, non-returnable.



**-018, -036, -054**  
(Number of Pairs)

**"XX.XX"**  
= Wire Length  
in Inches  
(43.7 mm) 01.72"  
minimum

**-TTR**  
= Terminal, Top Right

**-TTL**  
= Terminal, Top Left

**-TBR**  
= Terminal, Bottom Right

**-TBL**  
= Terminal, Bottom Left

**-STR**  
= Socket, Top Right

**-STL**  
= Socket, Top Left

**-SBR**  
= Socket, Bottom Right

**-SBL**  
= Socket, Bottom Left

**-1**  
= Pin 1 to  
Pin 1

**-2**  
= Pin 1 to  
Pin 2

**-3**  
= Pin 1 to  
Pin N-1

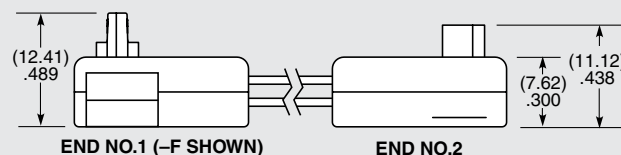
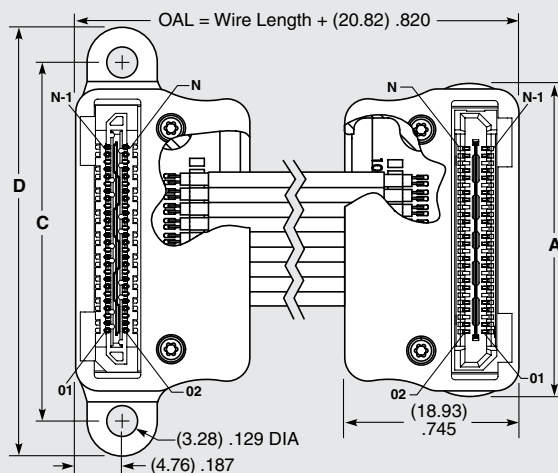
**-4**  
= Pin 1 to  
Pin N

Leave  
blank for  
no Screw  
Option

**-F**  
= Screw  
option  
(First end  
only)

**-S**  
= Screw  
option  
(Second  
end only)

**-B**  
= Screw  
option  
(Both  
ends)



NO. OF POSITIONS	A	C	D
<b>-018</b>	(33.02) 1.300	(39.12) 1.540	(46.74) 1.840
<b>-036</b>	(57.81) 2.276	(63.91) 2.516	(71.53) 2.816
<b>-054</b>	(82.63) 3.253	(88.70) 3.492	(96.32) 3.792