

# ExaMAX<sup>®</sup> I/O

## SHIELDED, HIGH-DENSITY I/O CABLE SYSTEM

(2.00 mm) .0787" PITCH

PAM4

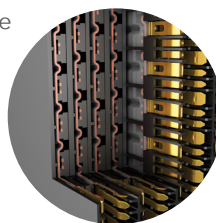
64  
Gbps

### FEATURES & BENEFITS

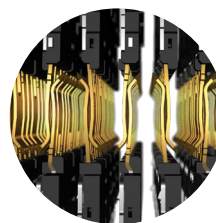
- Fully shielded external cable and cage for EMI protection
- Supports 64 Gbps PAM4 (32 Gbps NRZ) applications
- PCIe<sup>®</sup> 6.0/CXL<sup>®</sup> 3.1 capable
- Rugged pull latch for mating/unmating
- Single port cage designed for use with ExaMAX<sup>®</sup> right-angle board connector (EBTM-RA)
- 30 and 34 AWG ultra low skew twinax
- 24 to 48 pairs (4 and 6 pairs; 6 and 8 columns)
- In Development: Cable-to-cable bulkhead panel connection for increased performance to 112 Gbps PAM4



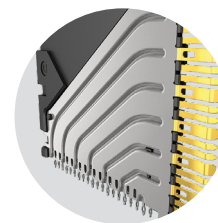
Cable to right-angle panel mount



Staggered Differential Pair Design



Two Reliable Points of Contact at All Times



Wafer Design Reduces Crosstalk

### KEY SPECIFICATIONS (EBCE/EBTC)

CABLE	INSULATOR MATERIAL	CONTACT MATERIAL	PLATING	OPERATING TEMP RANGE	CURRENT RATING	VOLTAGE RATING
30 & 34 AWG ultra low skew twinax	LCP	Copper Alloy	Au over 50 μ" (1.27 μm) Ni	Testing Now!	Testing Now!	Testing Now!

PCI-SIG<sup>®</sup>, PCI Express<sup>®</sup> and the PCIe<sup>®</sup> design marks are registered trademarks and/or service marks of PCI-SIG.

## (2.00 mm) .0787" PITCH • SHIELDED PANEL MOUNT CABLE

EBCE	GAUGE/ SIGNAL MAP	PAIRS PER COLUMN	COLUMNS	END 1 LATCH	END 1 PIN	CABLE LENGTH	END 2 LATCH	END 2 PIN
	-1 = 34 AWG 100 Ω, Tx to Rx Signal Map	-4 = 4 Pairs	-06, -08	-LU = Latch Up	-1 = Standard	- "XX" = Length in Inches 12" (304.8 mm) minimum	-LU = Latch Up	-1 = Standard
	-2 = 30 AWG 100 Ω, Tx to Rx Signal Map	-6 = 6 Pairs						
	-3 = 34 AWG 100 Ω, 1:1 Signal Map							

**EBCE**  
Mates With: = 30 AWG 100 Ω,  
EBTM-RA/EBTC 1:1 Signal Map

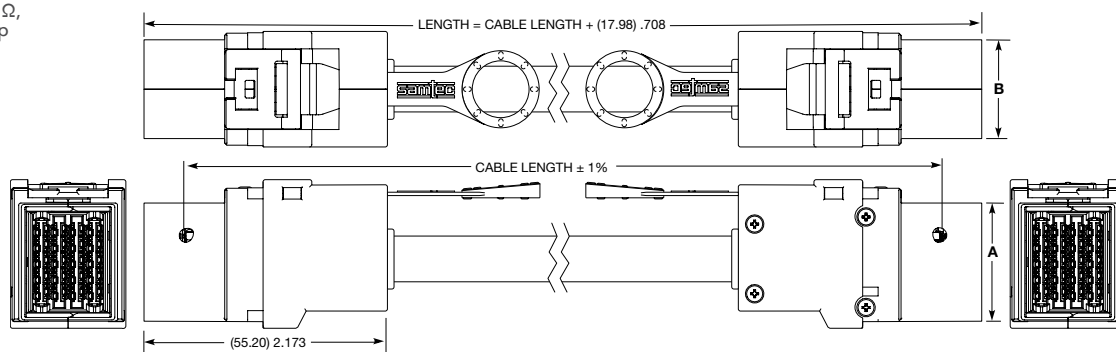


**Notes:**  
Cable lengths longer than 40.00" (1 meter)  
are not supported with S.I. test data.

Some sizes, styles and options  
are non-standard, non-returnable.

PRELIMINARY

NO. OF COLUMNS	B
-06	(18.40) .724
-08	(22.40) .882



EBCE-X-4-08-LU-1-XX-LU-1 SHOWN

PAIRS	A
-4	(26.80) 1.055
-6	(34.00) 1.339

## DIE CAST PANEL CAGE

View complete specifications at: [samtec.com?EBCE](http://samtec.com?EBCE)

EBTC	PAIRS PER COLUMN	COLUMNS	PORT SIZE
	-4 = 4 Pairs	-06, -08	-1
	-6 = 6 Pairs		

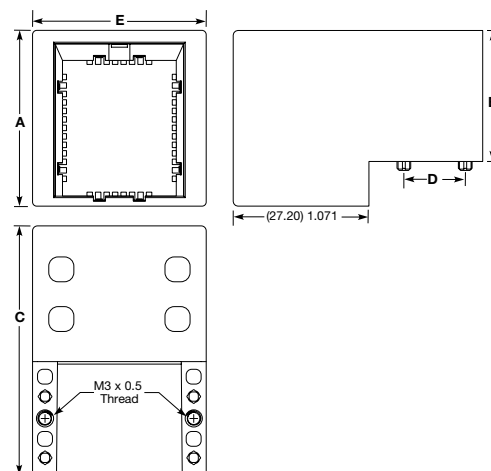
PRELIMINARY

**EBTC**  
Use With:  
EBTM-RA, EBCE



NO. OF COLUMNS	E
-06	(30.80) 1.213
-08	(34.80) 1.370

PAIRS	A	B	C	D
-4	(35.20) 1.386	(26.25) 1.033	(50.00) 1.969	(12.30) .484
-6	(42.40) 1.669	(33.45) 1.317	(57.20) 2.252	(19.50) .768



EBTC-4-08-1 SHOWN

**Note:**  
Some sizes, styles and  
options are non-standard,  
non-returnable.

View complete specifications at: [samtec.com?EBTC](http://samtec.com?EBTC)