

(0.80 mm) .0315" PITCH • RUGGED HIGH-SPEED HEADERS & SOCKETS

TYPE	POSITIONS PER ROW	LEAD STYLE	PLATING OPTION	DV	OPTIONS	"X"R
------	-------------------	------------	----------------	----	---------	------

ERM8
= Header
ERF8
= Socket

-050, -010, -011, -013, -020, -025, -030, -035, -040, -049, -050, -060, -070, -075, -100

(100 Position Only Available with ERM8-09.0 & ERF8-05.0 Lead Styles; -L or -EPG N/A)

SPECIFY LEAD STYLE FROM CHART

-L
= 10 μ" (0.25 μm) Gold on contact, Matte Tin on tail
-S
= 30 μ" (0.76 μm) Gold on contact, Matte Tin on tail

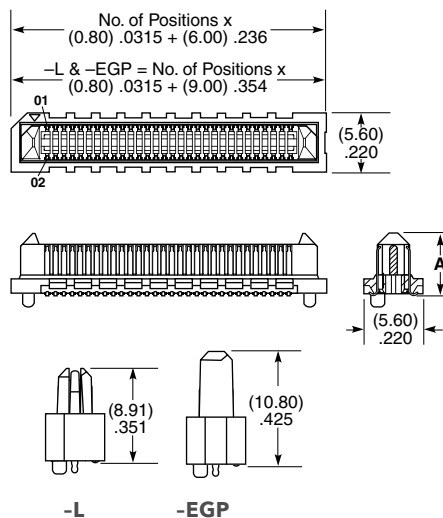
-DS
= Differential Pair (ERM8 -05.0 Lead Style with -010, -013, -025, -049 Positions only)
-L
= Latching (ERM8-05.0 & -09.0 Lead Styles only & -EGP Option N/A) (ERF8-05.0 Lead Style only and -L to -EGP Option N/A)

-TR
= Tape & Reel
-FR
= Full Reel Tape & Reel (must order maximum quantity per reel; contact Samtec for quantity breaks)

-EGP
= Extended Guide Post (ERM8-05.0 & ERF8-07.0 Lead Style Only & -L Option N/A)
-DSP
= Differential Pair with Extended Guide Post (ERM8 -05.0 Lead Style with -013 and -025 Positions only)

-K
= Polyimide Film Pick & Place Pad (-02.0 Lead Style N/A)
-P
= Pick & Place Pad (ERM8 and -02.0 & -05.0 Lead Styles only)

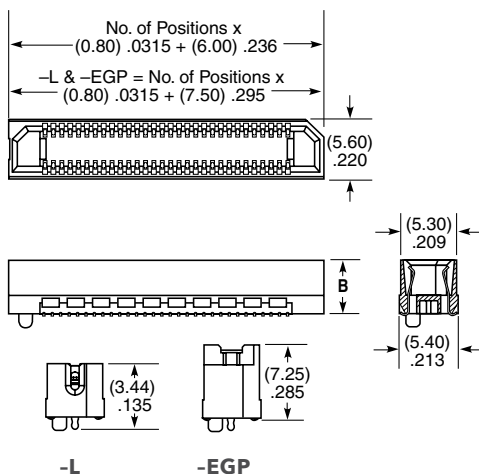
ERM8
Board Mates:
ERF8
ERM8
Cable Mates:
ERCD, ERDP



View complete specifications at: samtec.com?ERM8

LEAD STYLE	A (ERM8)	B (ERF8)
-02.0	(5.97) .235	N/A
-05.0	(8.91) .351	(5.10) .200
-07.0	N/A	(7.00) .276
-08.0	(11.91) .469	N/A
-09.0	(12.91) .508	(9.00) .354

ERF8
Board Mates:
ERM8
Cable Mates:
ERCD, ERDP



ERM8 LEAD STYLE	MATED HEIGHT*		
	ERF8 LEAD STYLE		
	-05.0	-07.0	-09.0
-02.0	(7.00) .276	(9.00) .354	(11.00) .433
-05.0	(10.00) .394	(12.00) .472	(14.00) .551
-08.0	(13.00) .512	(15.00) .591	(17.00) .669
-09.0	(14.00) .551	(16.00) .629	(18.00) .709

*Processing conditions will affect mated height.

View complete specifications at: samtec.com?ERF8

Note:
Some lengths, styles and options are non-standard, non-returnable.

See pg 52-53 for Right-Angle & Edge Mount options, pg 54 for Shielded options.