

(0.80 mm) .0315" PITCH • SHIELDED HIGH-SPEED HEADERS & SOCKETS

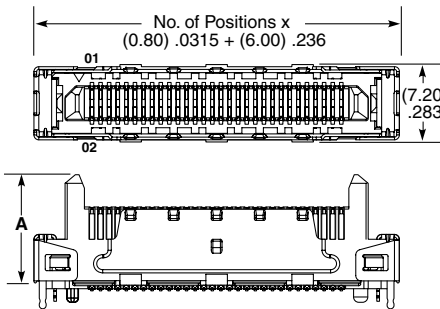
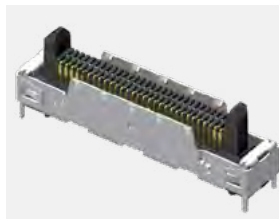
TYPE	POSITIONS PER ROW	LEAD STYLE	PLATING OPTION	DV	OPTIONS	"X"R
ERM8 = Shielded Terminal	-010, -020, -025, -030	-02.0 = 2 mm (ERM8 with -S only)	-L = 10 μ" (0.25 μm) Gold on contact, Matte Tin on tail		-S = Shield (Lead Styles: ERM8 -02.0 only; ERF8 -05.0 only)	-TR = Tape & Reel
ERF8 = Shielded Socket		-05.0 = 5 mm (ERF8 with -S & ERM8 with -EGPS & -DSS only)	-S = 30 μ" (0.76 μm) Gold on contact, Matte Tin on tail		-EGPS = Extended Guide Post Shield (Lead Styles: ERM8 -05.0 & -09.0 only; ERF8 -07.0 only)	-FR = Full Reel Tape & Reel (must order maximum quantity per reel; contact Samtec for quantity breaks)
		-07.0 = 7 mm (ERF8 with -EGPS only)			-DSS = Differential Pair with Extended Guide Post Shield (ERM8 only, with -05.0 & -09.0 Lead Styles, -10 & -025 Pos. only)	
		-09.0 = 9 mm (ERM8 with -EGPS & -DSS only)			-K = Polyimide Film Pick & Place Pad (-02.0 Lead Style N/A)	
					-P = Pick & Place Pad (ERM8 -02.0 & -05.0 Lead Styles only)	

ERM8-S

Board Mates:

See "Mated Height" Chart

(Note: ERF8-S does not mate with ERM8-EGPS)



LEAD STYLE	A	B
-05.0	(9.87) .389	(10.81) .425
-09.0	(13.87) .546	(14.81) .583

-S OPTION -EGPS OR -DSS OPTION

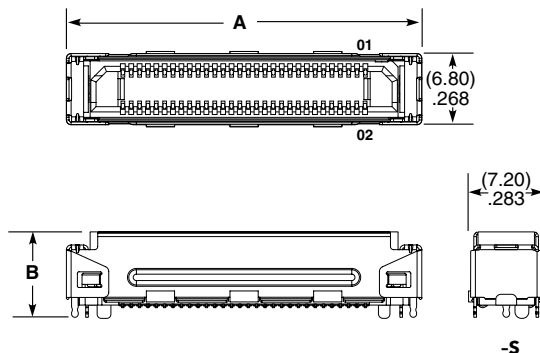
View complete specifications at: samtec.com?ERM8

ERF8-S

Board Mates:

See "Mated Height" Chart

(Note: ERM8-EGPS does not mate with ERF8-S)



LEAD STYLE	B (-S)	B (-EGPS)
-05.0	(5.90) .232	N/A
-07.0	N/A	(7.42) .292

POSITIONS PER ROW	A
-010	(18.00) .71
-020	(26.00) 1.02
-025	(30.00) 1.18
-030	(34.00) 1.34

-S

View complete specifications at: samtec.com?ERF8

Note: Some lengths, styles and options are non-standard, non-returnable.