

# LOW-PROFILE BLADE AND BEAM

(0.50 mm) .0197" PITCH • LTH/LSH SERIES



**LTH**  
Mates:  
LSH

**LSH**  
Mates:  
LTH

LTH	-	NO. OF POSITIONS PER ROW	-	01	-	PLATING OPTION	-	D	-	A	-	OTHER OPTION
-----	---	--------------------------	---	----	---	----------------	---	---	---	---	---	--------------

-010, -020,  
-030, -040, -050

-G  
= 10 μm  
(0.25 μm)  
Gold

-K  
= (5.50 mm)  
.217" DIA  
Polyimide  
film Pick &  
Place Pad

-TR  
= Tape & Reel

-FR  
= Full Reel  
Tape & Reel  
(must order max.  
quantity per reel;  
contact Samtec for  
quantity breaks)

## SPECIFICATIONS

### Insulator Material:

Liquid Crystal  
Polymer

### Terminal Material:

Phosphor Bronze

### Contact Material:

BeCu

### Plating:

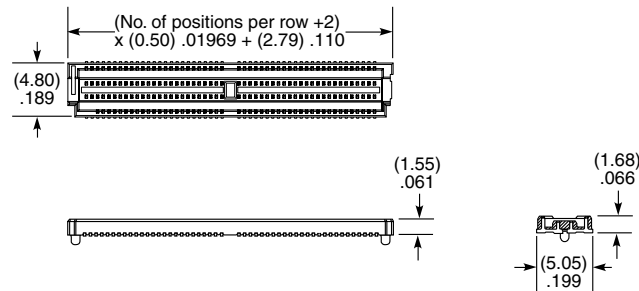
Au over 50 μm (1.27 μm) Ni

### Current Rating:

2.6 A per pin  
(2 pins powered)

### Operating Temp Range:

-55 °C to +125 °C



## PROCESSING

### Lead-Free Solderable:

Yes

### SMT Lead Coplanarity:

(0.10 mm) .004" max

### Board Stacking:

For applications requiring more than two connectors per board, contact ipg@samtec.com

LSH	-	NO. OF POSITIONS PER ROW	-	01	-	PLATING OPTION	-	D	-	A	-	OTHER OPTION
-----	---	--------------------------	---	----	---	----------------	---	---	---	---	---	--------------

-010, -020,  
-030, -040, -050

-G  
= 10 μm  
(0.25 μm)  
Gold

-K  
= (7.50 mm)  
.295" DIA  
Polyimide  
film Pick &  
Place Pad

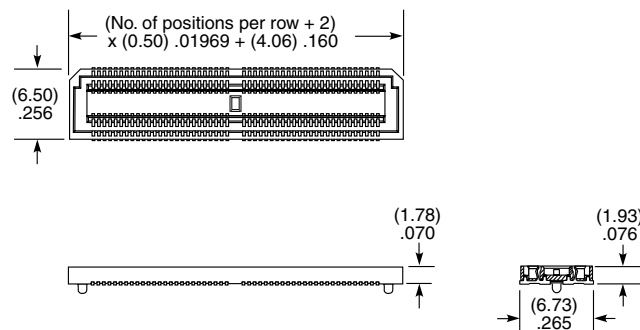
-TR  
= Tape & Reel

-FR  
= Full Reel  
Tape & Reel  
(must order max.  
quantity per reel;  
contact Samtec for  
quantity breaks)

## MATED HEIGHT

LEAD STYLE	MATED HEIGHT*
-01	(2.31 mm) .091"

\*Processing conditions will affect mated height.



**Note:**  
Some lengths, styles and options are non-standard, non-returnable.