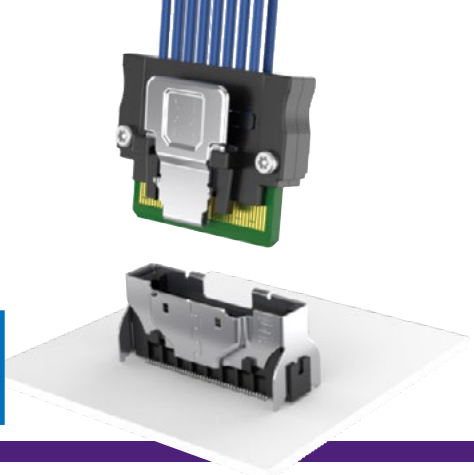


HIGH-SPEED EDGE CARD CABLE & SOCKET

(0.50 mm) .0197" PITCH • FEDP/FCDP SERIES

16
Gbps



FEDP

Mates:
FCDP-DV, FCDP-RA

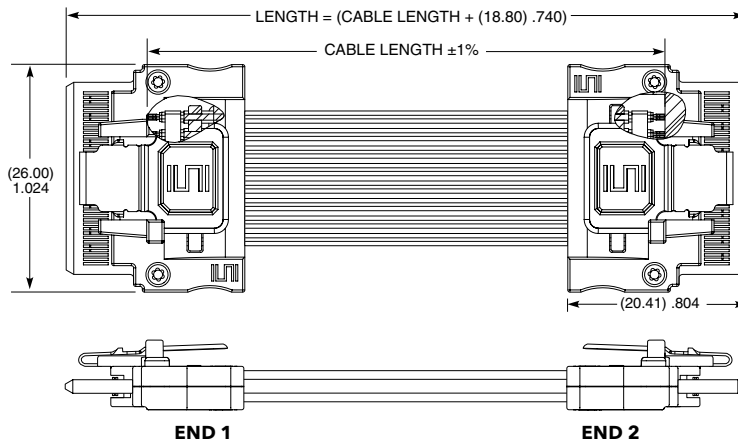
SPECIFICATIONS

Cable:
34 AWG Eye Speed®
ultra low skew twinax
Signal Routing:
100 Ω
Operating Temp Range:
-40 °C to +125 °C
Current Rating:
1.3 A per pin
(2 pins powered)



FEDP	NO. OF PAIRS	CABLE LENGTH	END 1	END 2	CABLE TYPE
------	--------------	--------------	-------	-------	------------

-16	- "XX.X" = Length in Inches 06.0" (152.4 mm) minimum	-LU = Latch Up	-LU = Latch Up	-LD = Latch Down	-1 = 34 AWG 100 Ω Eye Speed®
-----	---	-------------------	-------------------	---------------------	---------------------------------------



FEDP-16-XX.X-LU-LU-1 SHOWN

Note:
For speeds up to 28G NRZ/56G PAM4, FEDP must be paired with FQSFP and FQSFP-DD. Contact hdr@samtec.com for more information.

Some sizes, styles and options are non-standard, non-returnable.

FCDP

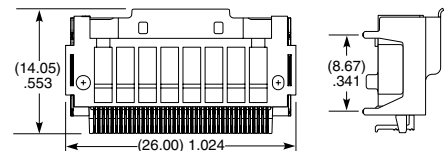
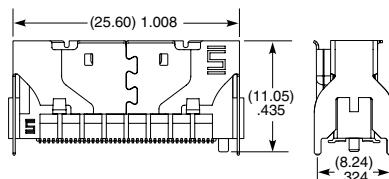
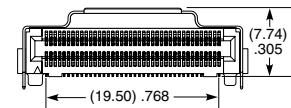
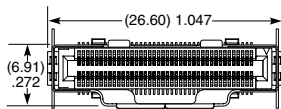
Mates:
FEDP

SPECIFICATIONS

Insulator Material:
Black LCP
Contact Material:
Copper Alloy
Plating:
Au or Sn over
50 μ" (1.27 μm) Ni
Shield Material:
Copper Alloy
Current Rating:
1.3 A per pin
(2 pins powered)

FCDP	NO. OF PAIRS	01	PLATING OPTION	ROW	OPTION
------	--------------	----	----------------	-----	--------

-16	-L = 10 μ" (0.25 μm) Gold on contact, Matte Tin on tail	-DV = Double Vertical	-S = 30 μ" (0.76 μm) Gold on contact, Matte Tin on tail (Not available with -RA)	-RA = Right-angle	(-DV only) -S1 = Latch opposite pin 1 -S2 = Latch toward pin 1
-----	--	--------------------------	--	----------------------	--



FCDP-16-01-X-DV-S1 SHOWN

FCDP-16-01-L-RA SHOWN

Note:
Some sizes, styles and options are non-standard, non-returnable.