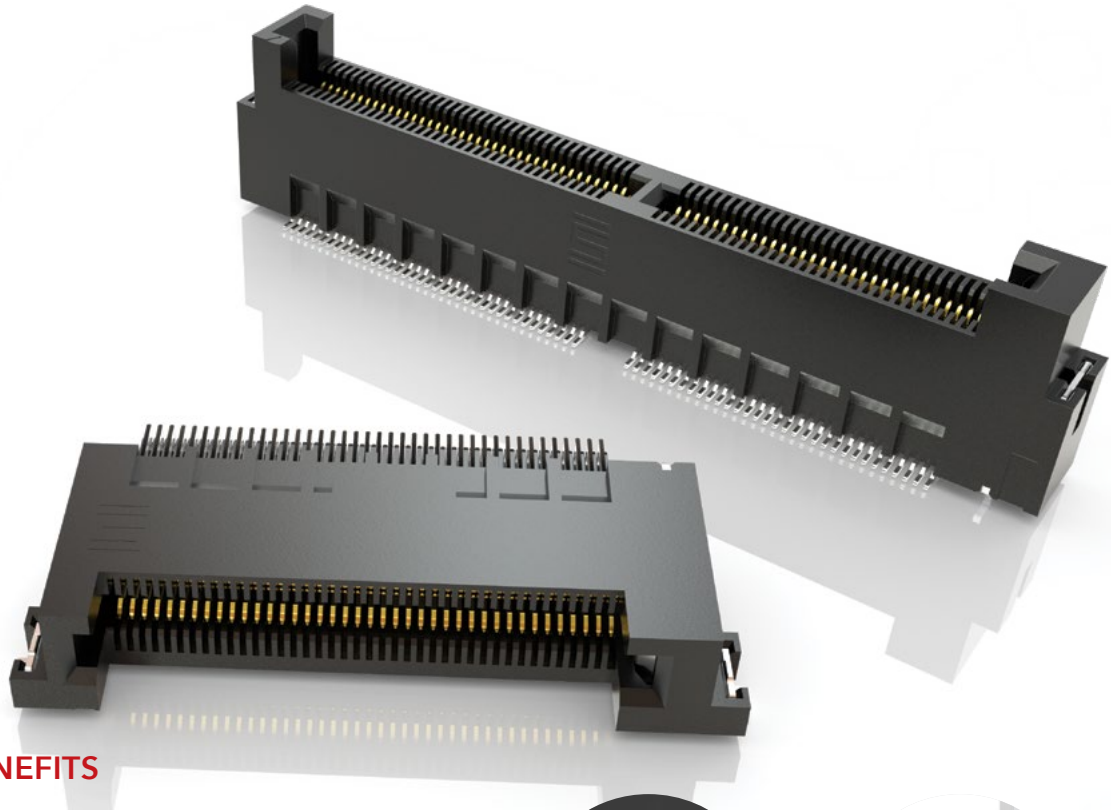


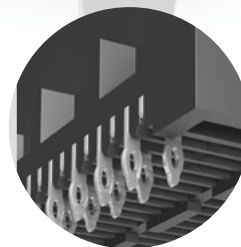
# MICRO EDGE CARD SYSTEMS

0.50 mm, 0.635 mm, 0.80 mm, 1.00 mm, 1.27 mm, 2.00 mm PITCH

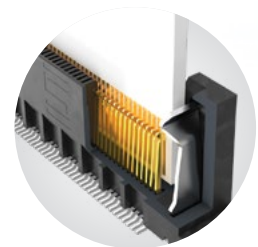


## FEATURES & BENEFITS

- Up to 56 Gbps PAM4
- PCI Express® 4.0 (MEC5 Series)
- Solutions for .062" (1.60 mm), and .093" (2.36 mm) thick cards
- Choice of pitch: 0.50 mm, 0.635 mm, 0.80 mm, 1.00 mm, 1.27 mm, 2.00 mm
- Vertical, right-angle, edge mount
- Available in surface mount and through-hole



Staggered press-fit tails  
(MEC8-VP)



Justification beam ensures  
card and body are flushed  
(MEC5)

## KEY SPECIFICATIONS

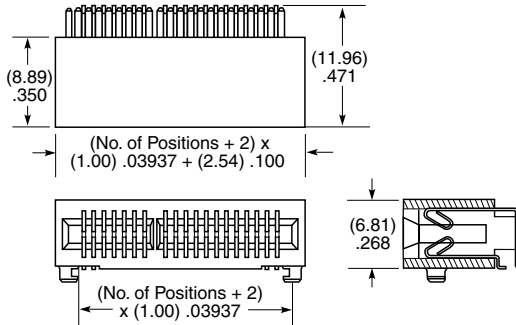
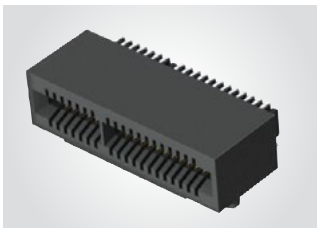
SERIES	PITCH	TOTAL POSITIONS	INSULATOR MATERIAL	CONTACT MATERIAL	OPERATING TEMP RANGE	CURRENT RATING	VOLTAGE RATING	LEAD-FREE SOLDERABLE
MEC5	0.50 mm	60-200	Black LCP	Phosphor Bronze	-55 °C to +125 °C	1.5 A (2 pins)	125 VAC	Yes
MEC6	0.635 mm	20-140	Black LCP	Phosphor Bronze	-55 °C to +125 °C	2.4 A (2 pins)	195 VAC	Yes
MEC8	0.80 mm	20-140	Black LCP	Phosphor Bronze	-55 °C to +125 °C	1.8 A (4 pins)	185 VAC	Yes
MEC1	1.00 mm	20-140	Black LCP	Phosphor Bronze	-55 °C to +125 °C	2.2 A (2 pins)	250 VAC	Yes
MECF	1.27 mm	10-100	Black/Natural LCP	BeCu	-55 °C to +125 °C	3.5 A (2 pins)	280 VAC	Yes
MEC2	2.00 mm	10-100	Black/Natural LCP	BeCu	-55 °C to +125 °C	3.5 A (2 pins)	238 VAC	Yes

(1.00 mm) .0394" PITCH • RIGHT-ANGLE/EDGE MOUNT EDGE CARD SOCKET

<b>MEC1</b>	<b>1</b>	<b>POSITIONS PER ROW</b>	<b>02</b>	<b>PLATING OPTION</b>	<b>D</b>	<b>RA1</b>	<b>NP</b>	<b>SL</b>	<b>"X"R</b>
		05, 08, 20, 30, 40, 50, 60, 70		<b>-F</b> = Gold Flash on contact, Matte Tin on tail <b>-L</b> = 10 μ" (0.25 μm) Gold on contact, Matte Tin on tail			<b>-NP</b> = No Polarization (8 positions only) Leave blank for polarization		Leave blank for tubes <b>-TR</b> = Tape & Reel (not available with 70 positions) <b>-FR</b> = Full Reel Tape & Reel (must order max. quantity per reel; contact Samtec for quantity breaks) (not available with 70 positions)

**MEC1-RA**

Card Mates:  
(1.60 mm) .062" thick card



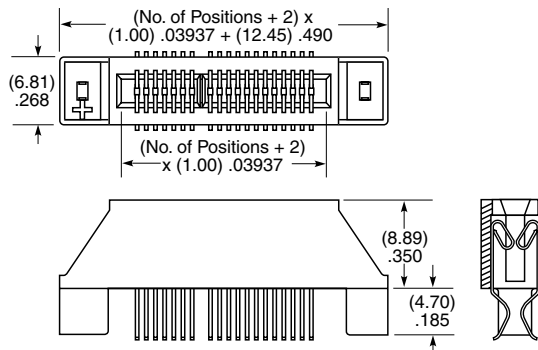
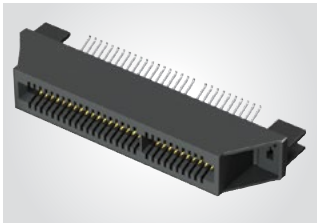
POSITIONS PER ROW	POLARIZED POSITIONS (No Contact)
05	3, 4
08	5, 6
20	15, 16
30	21, 22
40	31, 32
50	41, 42
60	31, 32, 63 & 64
70	53, 54, 115 & 116

View complete specifications at: [samtec.com?MEC1-RA](http://samtec.com?MEC1-RA)

<b>MEC1</b>	<b>1</b>	<b>POSITIONS PER ROW</b>	<b>02</b>	<b>PLATING OPTION</b>	<b>D</b>	<b>EM2</b>	<b>NP</b>	<b>"X"R</b>
		05, 08, 20, 30, 40, 50, 60, 70		<b>-F</b> = Gold Flash on contact, Matte Tin on tail <b>-L</b> = 10 μ" (0.25 μm) Gold on contact, Matte Tin on tail			<b>-NP</b> = No Polarization (8 positions only) Leave blank for polarization	Leave blank for Tray Packaging <b>-TR</b> = Tape & Reel (not available with 60 & 70 positions) <b>-FR</b> = Full Reel Tape & Reel (must order max. quantity per reel; contact Samtec for quantity breaks) (not available with 60 & 70 positions)

**MEC1-EM**

Card Mates:  
(1.60 mm) .062" thick card



POSITIONS PER ROW	POLARIZED POSITIONS (No Contact)
05	3, 4
08	5, 6
20	15, 16
30	21, 22
40	31, 32
50	41, 42
60	31, 32, 63 & 64
70	53, 54, 115 & 116

**Note:**  
Some sizes, styles and options are non-standard, non-returnable.

View complete specifications at: [samtec.com?MEC1-EM](http://samtec.com?MEC1-EM)