



30 SIGNAL/POWER COMBO CABLE ASSEMBLY/COMPONENTS

MPCC	2	SIGNAL PINS	2	PLATING OPTION	LEAD STYLE	LENGTH	END 1 OPTION	END 2 OPTION
		-16 = Total Signal Pins		-L = 10 μ" (0.25 μm) Gold on contact, Tin on tail (Power & Signal)	Specify LEAD STYLE from chart	-"XX.XX" = Assembled Length in Inches (101.60 mm) 04.00" min.	-S = Single End	(Available with -D only)
		-24 = Total Signal Pins		-T = Tin on contact and tail (Power), Gold on contact, Tin on tail (Signal)			-D = Double End	-NUS = Notch up, straight (Pin A1 to Pin AX)

MPCC

Board Mates:

MPTC

SPECIFICATIONS

Insulator Material:

Black LCP

Contact Material:

Signal: BeCu

Power: Copper Alloy

Plating:

Sn or Au over 50 μ" (1.27 μm) Ni

Current Rating:

Signal Pin (24 AWG):

3.4 A per pin

(4 adjacent pins powered)

Power Pin (14 AWG):

23.2 A per pin

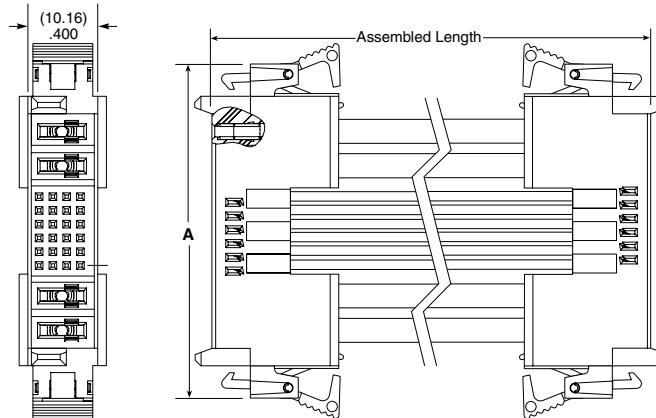
(1 pin powered)

Operating Temp Range:

-10 °C to +105 °C

Voltage Rating:

250 VAC




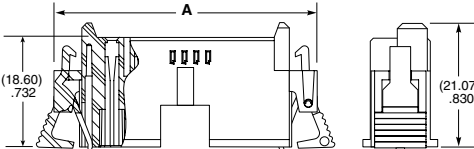
SIGNAL PINS	A
16	(44.55) 1.754
24	(48.55) 1.911

LEAD STYLE	PWR/SIG	AWG
-44	PWR	14
	SIG	24
-46	PWR	14
	SIG	26
-48	PWR	14
	SIG	28
-40	PWR	14
	SIG	30
-64	PWR	16
	SIG	24
-66	PWR	16
	SIG	26
-68	PWR	16
	SIG	28
-60	PWR	16
	SIG	30


View complete specifications at: samtec.com?MPCC

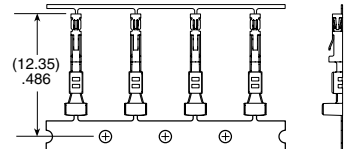
IMSC5	POWER PINS	SIGNAL PINS	POWER PINS	L	SERIES	WIRE GAUGE	01	PLATING OPTION
	-02 = Power Pins Per End	-16 = Total Signal Pins	-02 = Power Pins Per End	-L = Latch	CC81L = Contact, Loose	-2426 = 24 to 26 AWG		-L = 10 μ" (0.25 μm) Gold on contact
		-24 = Total Signal Pins			CC81R = Contact, Full Reel (17,000 Parts per Reel)	-2830 = 28 to 30 AWG		





SIGNAL PINS	A
-16	(44.55) 1.754
-24	(48.55) 1.911





Note: Power contact (CC46 Series) information on page 203.

TOOLING

Hand Tool: CAT-HT-281-2430-13 (Signal: 24-30 AWG)
CAT-HT-246-1416-13 (Power: 14-16 AWG)

Extraction Tool: CAT-EX-169-01 (Signal)
CAT-EX-MPSS-01 (Power)

Mini Applicator: CAT-MC-246-1416-XX-01 (Power 14-16 AWG)
CAT-MC-281-2426-XX-01 (Signal: 24-26 AWG)
CAT-MC-281-2830-XX-01 (Signal: 28-30 AWG)

Note: Some lengths, styles and options are non-standard, non-returnable

View complete specifications at: samtec.com?IMSC5, samtec.com?CC81R & samtec.com?CC81L