

## SMA TO 26.5 GHz

### SMA Cable Assemblies

RF23C, RF25S, RF402, RF405, RF180, RF280



#### VSWR

**RF23C:** 1.30 max.  
**RF25S:** 1.60 max.  
**RF402:** 1.50 max.  
**RF405:** 1.35 max.  
**RF180:** 1.35 max.  
**RF280:** 1.35 max.

Additional connector options available.  
 Contact RFGroup@samtec.com

SERIES	END 1 CONNECTOR	END 2 CONNECTOR	OVERALL LENGTH
<b>RF23C</b> = MCW-2350CU-01 millimeter wave cable with copper foil shield	<b>-01SP1*</b> = SMA Straight Plug		<b>-“XXXX”</b> = Overall Length in millimeters  -0100 (100 mm) 3.94" minimum
<b>RF402</b> = RG 402 (.141") 19 AWG semi-flexible microwave cable	<b>-01RP1*</b> = SMA Right-angle Plug (RF23C & RF25S not available)		
<b>RF405</b> = RG 405 (.086") 24 AWG semi-flexible microwave cable	<b>-01BJ1*</b> = SMA Bulkhead Jack (RF402 & RF405 not available)		
<b>RF180</b> = (4.52 mm) .178" overshield DIA, 16 AWG microwave cable	<b>-01SB</b> = Straight Bulkhead Jack, Sealed (RF23C only)		
<b>RF280</b> = (7 mm) .277" overshield DIA, 11 AWG microwave cable			

\*Remove last "1" from end connector when specifying RF23C, RF180 & RF280.

#### ALSO AVAILABLE

2.40 mm, 2.92mm, SMPM = RF23C  
 SMP = RF25S, RF405  
 TNCA, N Type = RF180  
 TNCA, N Type = RF280

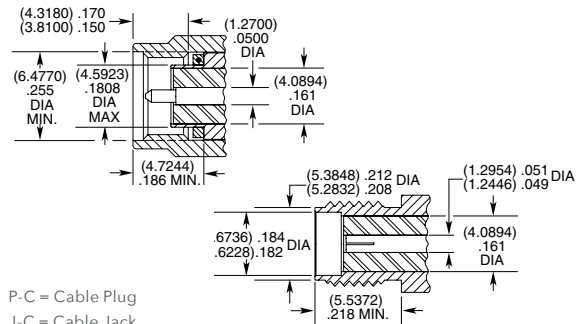
### SMA Cable Connectors

PRF01



CONNECTORS FOR INDUSTRY STANDARD CABLES	
PRF01-P-C-EP-120B-SS	IW 1201, low loss flexible
PRF01-P-C-EP-120-SS	Harbour LL120, low loss flexible
PRF01-P-C-EP-142-SS	Harbour LL142, low loss flexible
PRF01-P-C-EP-190-SS	Semflex HP190, low loss flexible
PRF01-P-C-EP-335-SS	Harbour LL335, low loss flexible
PRF01-P-C-EP-290-SS	Semflex LA290, low loss flexible
PRF01-P-C-EP-142A-SS	Harbour SB142, low loss flexible
PRF01-P-C-EP-142-RS	Harbour LL142, low loss flexible
PRF01-P-C-EP-190-RS	Semflex HP190, low loss flexible
PRF01-J-C-EP-142-SS	Harbour LL142, low loss flexible
PRF01-P-C-EP-141A-SS	Harbour SS402, flexible alternative to RG 402
PRF01-P-C-EP-160-RS	Semflex HP160, low loss flexible
PRF01-P-C-EP-305-SS	Semflex HP305, low loss flexible
PRF01-P-C-EP-335A-SS	Harbour LL335i, low loss flexible

#### INTERFACE STANDARD



P-C = Cable Plug  
 J-C = Cable Jack  
 EE = Plating (50 μ" Gold center contact & outer contact)  
 EP = Plating (50 μ" Gold center contact, passivated outer contact)  
 SS = Straight, Solder Clamp  
 RS = Right-angle, Solder Clamp

### SMA Board Connectors

SMA-TH, SMA-SM, SMA-MT, SMA-EM

**Cable Mates:**  
 RF23C, RF25S, RF402, RF405, RF180, RF280



SMA	GENDER	TYPE	PLATING	ORIENTATION	TERMINATION
	<b>-J</b> = Jack	<b>-P</b> = PCB Mount	<b>-H</b> = 30 μ" (0.76 μm) Gold center contact, 3 μ" (0.08 μm) Gold outer contact	<b>-ST</b> = Straight  <b>-RA</b> = Right-angle	<b>-TH1</b> = Through-hole  <b>-SM1</b> = Surface Mount (-GF-RA only)  <b>-EM1</b> = Edge Mount (-ST only)  <b>-EM3</b> = Drop-in Edge Mount (-ST only)  <b>-MT1</b> = Mixed Technology (-ST only)
			<b>-GF</b> = 10 μ" (0.25 μm) Gold center contact, 3 μ" (0.08 μm) Gold outer contact (-SM1 only)		

