

2.40 mm TO 50 GHz

2.40 mm Cable Assemblies

RF047-A, RF085, RF086, RF23C



VSWR

RF047-A: 1.35 max.
RF086: 1.40 max.
RF085: 1.40 max.
RF23C: 1.40 max.

SERIES

- RF047-A**
 (1.2 mm) .047" overshield DIA 29 AWG millimeter wave cable
- RF086**
 = (2.18 mm) .086" overshield DIA 23 AWG millimeter wave cable
- RF085**
 = (2.16 mm) .085" overshield DIA 24 AWG millimeter wave cable
- RF23C**
 = MWC-2350CU-01 millimeter wave cable with copper foil shield

END 1 CONNECTOR

- 24SJ**
 = 2.40 mm Straight Jack
- 24SP**
 = 2.40 mm Straight Plug

END 2 CONNECTOR

- 24SJ**
 = 2.40 mm Straight Jack
- 24SP**
 = 2.40 mm Straight Plug

OVERALL LENGTH

- “XXXX”**
 = Overall Length in millimeters
- 0100 (100 mm)
 3.94" minimum
 (RF047-A, RF085, RF086)
- 0152 (0152 mm)
 5.984" minimum
 (RF23C)

ALSO AVAILABLE

- 1.35 mm, 1.85 mm, 2.92 mm, SMPM = RF047-A
- 1.85 mm, 2.92 mm, SMPM = RF086
- 2.92 mm = RF085
- 2.92 mm, SMPM = RF23C

2.40 mm Cable Connectors

PRF24

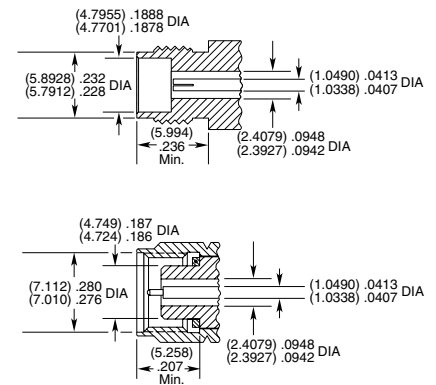


CONNECTORS FOR INDUSTRY STANDARD CABLES

PRF24-J-C-EP-085-SS	Harbour SS405, flexible alternative to RG 405
PRF24-J-C-EP-405-BS	RG 405, .085, semi-rigid
PRF24-P-C-EE-085-SD	Harbour SS405, flexible alternative to RG 405
PRF24-P-C-EP-120A-SS	Semflex HP120, low loss flexible
PRF24-J-C-EP-160-SS	Semflex HP160, low loss flexible
PRF24-P-C-EP-160-SS	Semflex HP160, low loss flexible
PRF24-J-C-EP-140B-SS	IW 1401, low loss flexible
PRF24-P-C-EP-140B-SS	IW 1401, low loss flexible
PRF24-J-C-EP-150B-SS	IW 1501, low loss flexible
PRF24-P-C-EP-150-SS	Dynawave DF150, low loss flexible
PRR24-J-C-EP-086-SS	.086 Temp-flex, low loss flexible
PRF24-P-C-EP-086-SS	.086 Temp-flex, low loss flexible

P-C = Cable Plug
 J-C = Cable Jack
 EE = Plating (50 μ" gold center contact & outer contact)
 EP = Plating (50 μ" gold center contact, passivated outer contact)
 SS = Straight, Solder Clamp
 SD = Straight, Direct Solder
 BS = Bulkhead, Solder Clamp

INTERFACE STANDARD



2.40 mm Board Connectors

240

Cable Mates:
 RF047-A, RF086, RF085, RF23C



240

GENDER

-J
 = Jack

TYPE

-P
 = PCB Mount

PLATING

-EP
 = 50 μ"
 (1.27 μm)
 Gold center contact,
 Passivated outer contact

ORIENTATION

-ST
 = Straight

TERMINATION

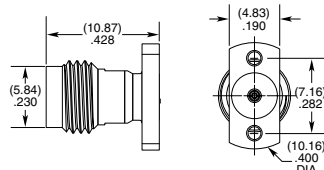
-CM
 = Compression Mount Stripline
-CMM
 = Compression Mount Microstrip

OPTION

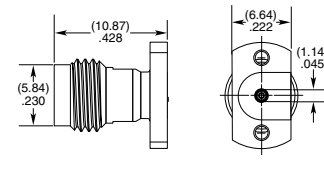
-1
 = without Screws
-2
 = With Screws

PACKAGING

Leave blank for tray packaging
-K
 = Individually bagged



-CM SHOWN



-CMM SHOWN

2.92 mm TO 40 GHz

2.92 mm Cable Assemblies

RF047-A, RF086, RF085, RF23C



VSWR

RF047-A: 1.35 max.
RF086: 1.40 max.
RF085: 1.40 max.
RF23C: 1.40 max.

SERIES	END 1 CONNECTOR	END 2 CONNECTOR	OVERALL LENGTH
RF047-A = (1.2 mm) .047" overshield DIA 29 AWG millimeter wave cable RF086 = (2.18 mm) .086" overshield DIA 23 AWG millimeter wave cable RF085 = (2.16 mm) .085" overshield DIA 24 AWG millimeter wave cable RF23C = MWC-2350CU-01 millimeter wave cable with copper foil shield	-92SJ = 2.92 mm Straight Jack -92SP = 2.92 mm Straight Plug	ALSO AVAILABLE 1.35 mm, 1.85 mm, 2.40 mm, SMPM = RF047-A 1.85 mm, 2.40 mm, SMPM = RF086 2.40 mm = RF085 2.40 mm, SMPM = RF23C	- "XXXX" = Overall Length in millimeters -0100 (100 mm) 3.94" minimum (RF047-A, RF085, RF086,) -0152 (0152 mm) 5.984" minimum (RF23C)

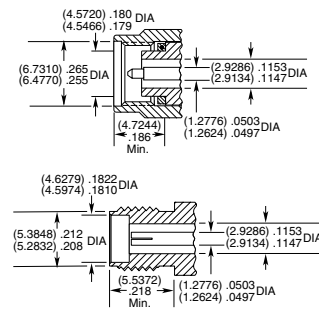
2.92 mm Cable Connectors

PRF92



CONNECTORS FOR INDUSTRY STANDARD CABLES	
PRF92-P-C-EE-405-SD	RG 405, .085, semi-rigid
PRF92-P-C-EE-085A-SD	.085, semi-rigid, 23AWG
PRF92-P-C-EP-160-SS	Semflex HP160, low loss flexible
PRF92-P-C-EP-150B-SS	IW 1501, low loss flexible
PRF92-P-C-EP-142-SS	Harbour LL142, low loss flexible
PRF92-J-C-EP-085-SS	Harbour SS405, flexible alternative to RG 405
PRF92-J-C-EP-085-BS	Harbour SS405, flexible alternative to RG 405
PRF92-P-C-EP-085-SS	Harbour SS405, flexible alternative to RG 405
PRF92-P-C-EE-402-SD	RG 402, .141, semi-rigid
PRF92-P-C-EP-190-SS	Semflex HP190, low loss flexible
PRF92-J-C-EP-160-SS	Semflex HP160, low loss flexible
PRF92-P-C-EP-120A-SS	Semflex HP120, low loss flexible
PRF92-P-C-EP-140-SS	Dynawave DF140, low loss flexible
PRF92-P-C-EP-047D-SS	.047, semi-rigid
PRF92-J-C-EP-047D-SS	.047, semi-rigid
PRF92-P-C-EP-150-SS	Dynawave DF150, low loss flexible
PRF92-P-C-EE-118-SD	Haverhill HC35004, .118, semi-rigid
PRF92-J-C-EP-402-SS	RG 402, .141, semi-rigid
PRF92-J-C-EP-047D-4S	.047, semi-rigid
PRF92-J-C-EP-405-4S	RG 405, .085, semi-rigid
PRF92-P-C-EE-405-SD	RG 405, .085, semi-rigid
PRF92-P-C-EP-086-SS	.086 Temp-Flex, low loss flexible
PRF92-P-C-EP-200-SS	Times Max Gain 200, low loss flexible

INTERFACE STANDARD



P-C = Cable Plug
 J-P = Cable Jack
 EE = Plating (50 μ" Gold center contact & outer contact)
 EP = Plating (50 μ" Gold center contact, passivated outer contact)
 SS = Straight, Solder Clamp
 SD = Straight, Direct Solder
 BS = Bulkhead, Solder Clamp
 4S = 4-hole flange, Solder Clamp

2.92 mm Board Connectors

Cable Mates:
 RF047-A, RF085, RF086, RF23C



292	GENDER	TYPE	PLATING	ORIENTATION	TERMINATION	OPTION	PACKAGING
	-J = Jack	-P = PCB Mount	-EP = 50 μ" (1.27 μm) Gold center contact, Passivated outer contact	-ST = Straight	-CM = Compression Mount Stripline -CMM = Compression Mount Microstrip	-1 = Without Screws -2 = With Screws	Leave blank for tray packaging -K = Individually bagged

