

50 Ω SMA TO 6 GHz

SMA Cable Assemblies

RF174, RF178, RF316, RS316, RF058



SERIES	END 1 CONNECTOR	END 2 CONNECTOR	OVERALL LENGTH
RF174 = RG 174 Cable	-01SP1 = SMA Straight Plug		-"XXXX" = Overall Length in millimeters
RF178 = RG 178 Cable (-01BJ1 & -01BR1 only)	-01RP1 = SMA Right-angle Plug		-0100 (100 mm) 3.94" minimum
RF316 = RG 316 Cable, Single Braid Shield	-01BJ1 = SMA Straight Bulkhead Jack		
RS316 = RG 316 Cable, Double Shield (-01SP1 & -01BJ1 only)	-01SB1 = Straight Bulkhead Jack, Sealed		
RF058 = RG 58 Cable, (-01SP1, -01BJ1 & 01SB1 only)	-01SR1 = Straight Bulkhead Jack, Sealed, Reversed Polarity		
	-01BR1 = Straight Bulkhead Jack, Reversed Polarity		
	-01PN1 = 4-Hole Panel Mount Jack		

ALSO AVAILABLE

50 Ω: MCX, MMCX, SMB, BNC, TNC, N Type = RF174, RF178, RF316

50 Ω: MCX, MMCX, BNC, TNC = RS316

50 Ω: TNC = RF058

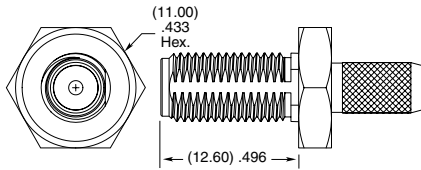
SMA Cable Connectors

SMA-CA



Supplied with pins, washers, nuts and ferrules. See website for dimensions.

SMA	GENDER	TYPE	PLATING	ORIENTATION	TERMINATION
	-J = Jack	-C = Cable -C4 = Cable 4-Mounting Screws (-PN1 only)	-H = 30 μ" (0.76 μm) Gold center contact, 3 μ" (0.08 μm) Gold outer contact (N/A with -BH1S) -HF = 30 μ" (0.76 μm) Gold center contact, 3 μ" (0.08 μm) Gold outer contact (-BH1S only)	-ST = Straight	-BH1 = Bulkhead RG 174 / 316 Cable -BH2 = Bulkhead RG 178 Cable -BR1 = Bulkhead RG 174 / 316, Reversed Polarity -BR2 = Bulkhead RG 178 Cable, Reversed Polarity
					-BH1S = Bulkhead RG 316 Cable, Double Shield -B10 = Bulkhead RG 58 Cable -PN1 = 4-Hole Panel Mount RG 174 / 316 Cable -S10 = Sealed Bulkhead RG 58 Cable



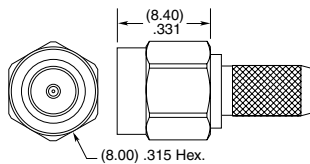
-S10, -B10



SMA Board Connectors

See page 145 for Board Connectors

SMA	GENDER	TYPE	PLATING	ORIENTATION	TERMINATION
	-P = Plug	-C = Cable	-H = 30 μ" (0.76 μm) Gold center contact, 3 μ" (0.08 μm) Gold outer contact (-CA1, -C10 only) -HF = 30 μ" (0.76 μm) Gold center contact, 3 μ" (0.08 μm) Gold outer contact (-CA1S only)	-ST = Straight -RA = Right-angle	-CA1 = RG 174 / 316 Cable -C10 = RG 58 Cable (-ST only) -CA1S = RG 316 Double Shielded Cable (-ST only)



-ST-C10

Supplied with pins, washers, nuts and ferrules. See website for dimensions.

50 Ω MCX TO 6 GHz

MCX Cable Assemblies

RF174, RF178, RF316, RS316



SERIES	END 1 CONNECTOR	END 2 CONNECTOR	OVERALL LENGTH
RF174 = RG 174 Cable	-02SJ1 = MCX Straight Jack		-“XXXX” = Overall Length in millimeters
RF178 = RG 178 Cable	-02RP1 = MCX Right-angle Plug (RS316 not available)		-0100 (100 mm) 3.94" minimum
RF316 = RG 316 Cable, Single Braid Shield	-02SP1 = MCX Straight Plug		
RS316 = RG 316 Cable, Double Shielded			

ALSO AVAILABLE

50 Ω: MMCX, SMA, SMB, BNC, TNC,

N Type = RF174, RF178, RF316

50 Ω: MMCX, SMA, BNC, TNC = RS316

MCX Cable Connectors

MCX-CA



Supplied with pins and ferrules. See website for dimensions.

CONNECTORS FOR INDUSTRY STANDARD CABLES	
MCX-J-C-H-ST-CA1	RG 174/316 Cable
MCX-J-C-H-ST-CA2	RG 178 Cable
MCX-J-C-HF-ST-CA1S	RG 316 Double Shielded Cable
MCX-P-C-H-ST-CA1	RG 174/316 Cable
MCX-P-C-H-ST-CA2	RG 178 Cable
MCX-P-C-HF-ST-CA1S	RG 316 Double Shielded Cable
MCX-P-C-H-RA-CA1	RG 174/316 Cable
MCX-P-C-H-RA-CA2	RG 178 Cable

P-C = Cable Plug

J-C = Cable Jack

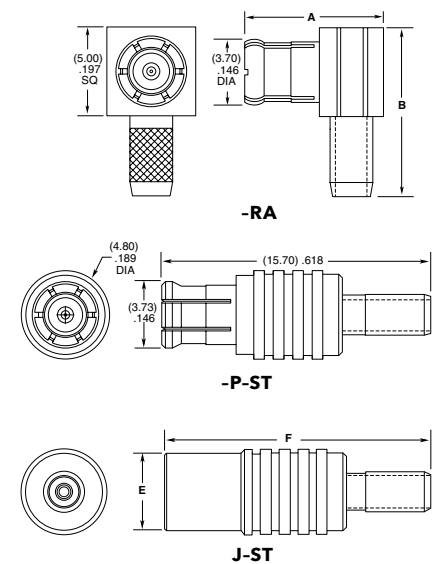
H or HF = Plating (30 μ" Gold center contact, 3 μ" Gold outer contact)

ST = Straight

RA = Right-angle

TYPE (-RA)	A	B
-P-CA1	(7.78) .306	(9.50) .374
-P-CA2	(8.58) .338	(10.00) .394

TYPE (-ST)	E	F
-J-CA1	(4.50) .177	(15.50) .610
-J-CA2	(4.78) .188	(15.00) .591
-J-CA1S	(4.50) .177	(15.50) .610



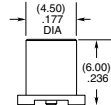
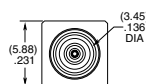
MCX Board Connectors

MCX-TH, MCX-SM, MCX-EM, MCX-MT

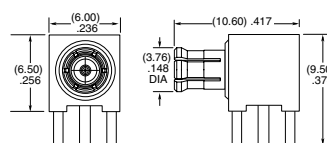
Cable Mates:
RF174, RF178, RF316, RS316, GRF1H-C, IJ5H



MCX	GENDER	TYPE	PLATING	ORIENTATION	TERMINATION
	-J = Jack	-P = PCB Mount	-H = 30 μ" (0.76 μm) Gold center contact, 3 μ" (0.08 μm) Gold outer contact	-ST = Straight	-TH1 = Through-hole (-ST plug not available)
	-P = Plug			-RA = Right-angle	-TH2 = Elevated Through-hole (-ST plug only)
					-SM1 = Surface Mount (Jack only)
					-EM1 = Edge Mount (-ST Jack only)
					-MT1 = Mixed Technology (-ST Jack only)



-ST-SM1 (Jack)

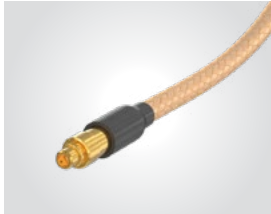


-RA-TH1 (Plug)

50 Ω MMCX TO 6 GHz

MMCX Cable Assemblies

RF174, RF178, RF316, RS316



SERIES	END 1 CONNECTOR	END 2 CONNECTOR	OVERALL LENGTH
RF174 = RG 174 Cable	-03SP1 = MMCX Straight Plug		-“XXXX” = Overall Length in millimeters -0100 (100 mm) 3.94" minimum
RF178 = RG 178 Cable (-03SP1 & -03RP1 only)	-03RP1 = MMCX Right-angle Plug		
RF316 = RG 316 Cable, Single Braid Shield	-V3SP1 = MMCXV Straight Plug, High Vibration		
RS316 = RG 316 Cable, Double Shielded (-03SP1 only)	-V3RP1 = MMCXV Right-angle Plug, High Vibration		
	-V3SJ1 = MMCXV Straight Jack, High Vibration		

ALSO AVAILABLE

50 Ω: MCX, SMA, SMB, BNC, TNC,
N Type = RF174, RF178, RF316
50 Ω: MCX, SMA, BNC, TNC = RS316

MMCX Cable Connectors

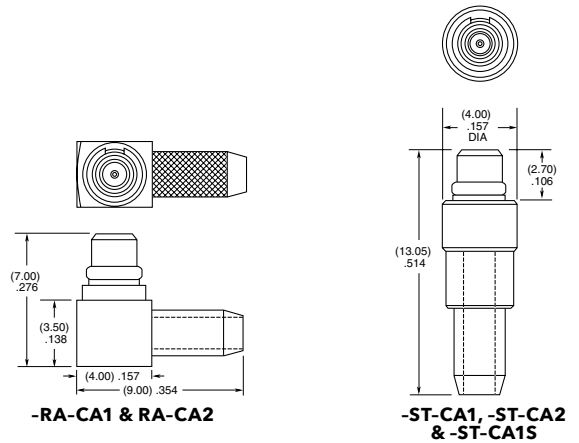
MMCX-CA



CONNECTORS FOR INDUSTRY STANDARD CABLES	
MMCX-P-C-H-ST-CA1	RG 174/316 Cable
MMCX-P-C-H-ST-CA2	RG 178 Cable
MMCX-P-C-HF-ST-CA1S	RG 316 Double Shielded Cable
MMCX-P-C-H-RA-CA1	RG 174/316 Cable
MMCX-P-C-H-RA-CA2	RG 178 Cable

P-C = Cable Plug
H or HF = Plating (30 μ" Gold center contact,
3 μ" Gold outer contact)
ST = Straight
RA = Right-angle

Supplied with pins and ferrules.
See website for dimensions.



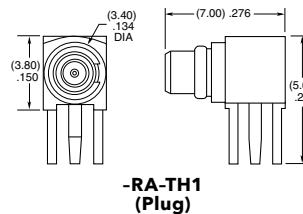
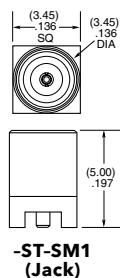
MMCX Board Connectors

MMCX-SM, MMCX-TH, MMCX-MT, MMCX-EM

Cable Mates:
RF174, RF178, RF316, RS316, GRF1H-C, IJ5H



MMCX	GENDER	TYPE	PLATING	ORIENTATION	TERMINATION
	-J = Jack	-P = PCB Mount	-H = 30 μ" (0.76 μm) Gold center contact, 3 μ" (0.08 μm) Gold outer contact	-ST = Straight -RA = Right-angle	-TH1 = Through-hole -MT1 = Mixed Technology (-ST only) -SM1 = Surface Mount (-RA plug not available) -EM1 = Edge Mount (-ST only)



50 Ω TNC TO 6 GHz

TNC Cable Assemblies

RF174, RF178, RF316, RS316, RF058



SERIES	END 1 CONNECTOR	END 2 CONNECTOR	OVERALL LENGTH
RF174 = RG 174 Cable	-05SP3 = TNC Straight Plug (RF058 not available)		-"XXXX" = Overall Length in millimeters
RF178 = RG 178 Cable	-05BJ3 = TNC Straight Bulkhead Jack (RS316 & RF058 not available)		-0100 (100 mm) 3.94" minimum
RF316 = RG 316 Cable, Single Braid Shield	-05SR3 = TNC Straight Plug, Reversed Polarity (RF058 only)		
RS316 = RG 316 Cable, Double Shielded			
RF058 = RG 58 Cable			

ALSO AVAILABLE

50 Ω: MCX, MMCX, SMA, SMB, BNC,
N Type = RF174, RF178, RF316

50 Ω: MCX, MMCX, SMA, BNC = RS316

50 Ω: SMA, N Type = RF058

TNC Cable Connectors

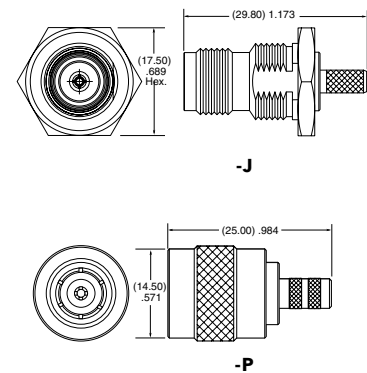
TNC-CA



Supplied with pins, washers, nuts and ferrules. See website for dimensions.

CONNECTORS FOR INDUSTRY STANDARD CABLES	
TNC-P-C-GN-ST-CA1	RG 174/316 Cable
TNC-P-C-GN-ST-CA2	RG 178 Cable
TNC-P-C-GN-SR-C10	RG 58 Cable
TNC-J-C-GN-ST-BH1	RG 174/316 Cable, Bulkhead
TNC-J-C-GN-ST-BH2	RG 178 Cable, Bulkhead

P-C = Cable Plug
J-C = Cable Jack
GN = Plating (10 μ" Gold on contact, Nickel on body)
ST = Straight
SR = Straight Reverse Polarity



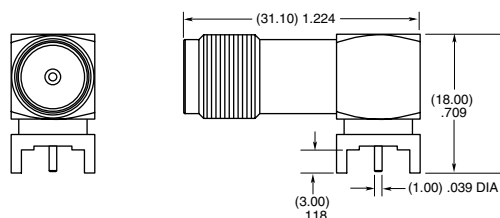
TNC Board Connectors

TNC-TH

Cable Mates:
RF174, RF178, RF316, RS316, RF058, GRF1H-C



TNC	GENDER	TYPE	PLATING	ORIENTATION	TERMINATION
	-J = Jack	-P = PCB Mount	-H = 30 μ" (0.76 μm) Gold center contact, Nickel on shell	-RA = Right-angle	-TH1 = Through-hole



50 Ω BNC TO 4 GHz

BNC Cable Assemblies RF174, RF178, RF316, RS316



SERIES	END 1 CONNECTOR	END 2 CONNECTOR	OVERALL LENGTH
RF174 = RG 174 Cable	-04SP3 = BNC Straight Plug (RS316 not available)	-04BJ2 = BNC Bulkhead Jack	-"XXXX" = Overall Length in millimeters -0100 (100 mm) 3.94" minimum
RF178 = RG 178 Cable			
RF316 = RG 316 Cable, Single Braid Shield			
RS316 = RG 316 Cable, Double Shielded			
ALSO AVAILABLE			
50 Ω: MCX, MMCX, SMA, SMB, TNC, N Type = RF174, RF178, RF316			
50 Ω: MCX, MMCX, SMA, TNC = RS 316			

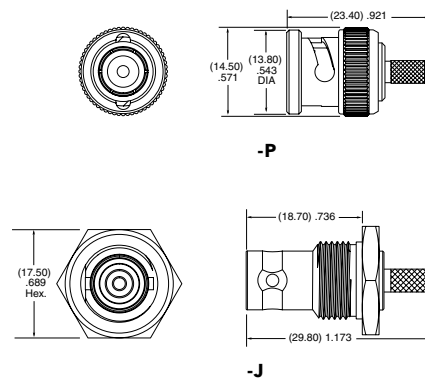
BNC Cable Connectors BNC5-CA



Supplied with pins, washers, nuts, gaskets and ferrules. See website for dimensions.

CONNECTORS FOR INDUSTRY STANDARD CABLES	
BNC5-P-C-GN-ST-CA1	RG 174/316 Cable
BNC5-P-C-GN-ST-CA2	RG 178 Cable
BNC5-J-C-GN-ST-BH1	RG 174/316 Cable, Bulkhead
BNC5-J-C-GN-ST-BH2	RG 178 Cable, Bulkhead
BNC5-J-C-GN-ST-BH1S	RG 316 Double Shielded Cable, Bulkhead

P-C = Cable Plug
J-C = Cable Jack
GN = Plating (10 μ" Gold on contact, Nickel on body)
ST = Straight



50 Ω SMB TO 4 GHz

SMB Cable Assemblies RF174, RF178, RF316



SERIES	END 1 CONNECTOR	END 2 CONNECTOR	OVERALL LENGTH
RF174 = RG 174 Cable	-07SP1 = SMB Straight Plug		-“XXXX” = Overall Length in millimeters
RF178 = RG 178 Cable	-07RP1 = SMB Right-angle Plug		-0100 (100 mm) 3.94" minimum
RF316 = RG 316 Cable, Single Braid Shield	-07BJ1 = SMB Bulkhead Jack		
	-07BJ2 = SMB Bulkhead Jack (RF178 only)		

ALSO AVAILABLE

50 Ω: MCX, MMCX, SMA, BNC, TNC,
N Type = RF174, RF178, RF316

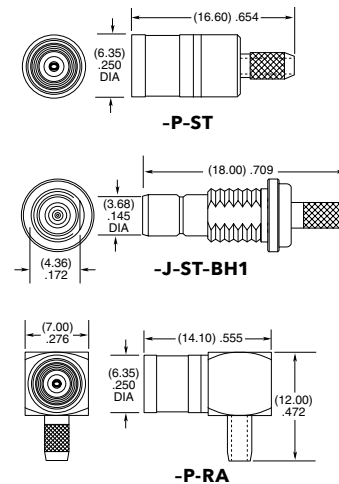
SMB Cable Connectors SMB5-CA



CONNECTORS FOR INDUSTRY STANDARD CABLES	
SMB5-P-C-H-ST-CA1	RG 174/316 Cable
SMB5-P-C-H-RA-CA1	RG 174/316 Cable
SMB5-J-C-H-ST-CA2	RG 178 Cable
SMB5-J-C-H-ST-BH1	RG 316 Cable, Bulkhead

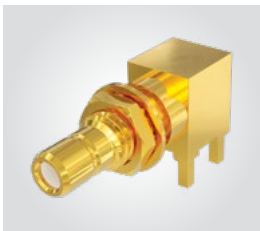
P-C = Cable Plug
J-C = Cable Jack
H = Plating (30 μ" Gold center contact,
3 μ" Gold on outer contact)
ST = Straight
RA = Right-angle

Supplied with pins, washers, nuts and ferrules. See website for dimensions.



SMB Board Connectors SMB5-TH

Cable Mates:
RF174, RF178, RF316,
GRF1H-C, IJ5H



SMB5	GENDER	TYPE	PLATING	ORIENTATION	TERMINATION
	-J = Jack	-P = PCB Mount	-H = 30 μ" (0.76 μm) Gold center contact, 3 μ" (0.08 μm) Gold outer contact	-RA = Right-angle	-TH1 = Through-hole

