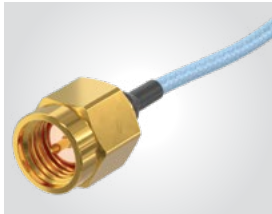


SMA TO 26.5 GHz

SMA Cable Assemblies

RF23C, RF25S, RF402, RF405, RF180, RF280



VSWR

RF23C: 1.30 max.
RF25S: 1.60 max.
RF402: 1.50 max.
RF405: 1.35 max.
RF180: 1.35 max.
RF280: 1.35 max.

Additional connector options available.
 Contact RFGroup@samtec.com

SERIES	END 1 CONNECTOR	END 2 CONNECTOR	OVERALL LENGTH
RF23C = MCW-2350CU-01 millimeter wave cable with copper foil shield	-01SP1* = SMA Straight Plug		-“XXXX” = Overall Length in millimeters -0100 (100 mm) 3.94" minimum
RF402 = RG 402 (.141") 19 AWG semi-flexible microwave cable	-01RP1* = SMA Right-angle Plug (RF23C & RF25S not available)		
RF405 = RG 405 (.086") 24 AWG semi-flexible microwave cable	-01BJ1* = SMA Bulkhead Jack (RF402 & RF405 not available)		
RF180 = (4.52 mm) .178" overshield DIA, 16 AWG microwave cable	-01SB = Straight Bulkhead Jack, Sealed (RF23C only)		
RF280 = (7 mm) .277" overshield DIA, 11 AWG microwave cable			

*Remove last "1" from end connector when specifying RF23C, RF180 & RF280.

ALSO AVAILABLE

2.40 mm, 2.92mm, SMPM = RF23C
 SMP = RF25S, RF405
 TNCA, N Type = RF180
 TNCA, N Type = RF280

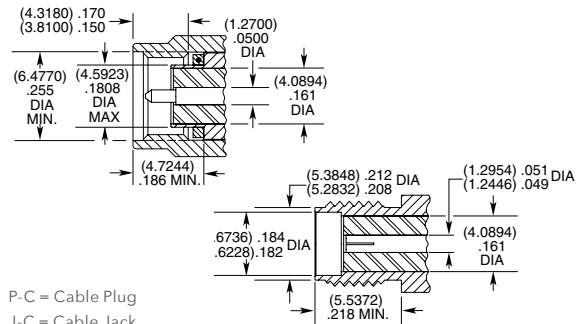
SMA Cable Connectors

PRF01



CONNECTORS FOR INDUSTRY STANDARD CABLES	
PRF01-P-C-EP-120B-SS	IW 1201, low loss flexible
PRF01-P-C-EP-120-SS	Harbour LL120, low loss flexible
PRF01-P-C-EP-142-SS	Harbour LL142, low loss flexible
PRF01-P-C-EP-190-SS	Semflex HP190, low loss flexible
PRF01-P-C-EP-335-SS	Harbour LL335, low loss flexible
PRF01-P-C-EP-290-SS	Semflex LA290, low loss flexible
PRF01-P-C-EP-142A-SS	Harbour SB142, low loss flexible
PRF01-P-C-EP-142-RS	Harbour LL142, low loss flexible
PRF01-P-C-EP-190-RS	Semflex HP190, low loss flexible
PRF01-J-C-EP-142-SS	Harbour LL142, low loss flexible
PRF01-P-C-EP-141A-SS	Harbour SS402, flexible alternative to RG 402
PRF01-P-C-EP-160-RS	Semflex HP160, low loss flexible
PRF01-P-C-EP-305-SS	Semflex HP305, low loss flexible
PRF01-P-C-EP-335A-SS	Harbour LL335i, low loss flexible

INTERFACE STANDARD



P-C = Cable Plug
 J-C = Cable Jack
 EE = Plating (50 μ" Gold center contact & outer contact)
 EP = Plating (50 μ" Gold center contact, passivated outer contact)
 SS = Straight, Solder Clamp
 RS = Right-angle, Solder Clamp

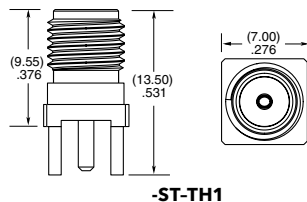
SMA Board Connectors

SMA-TH, SMA-SM, SMA-MT, SMA-EM

Cable Mates:
 RF23C, RF25S, RF402, RF405, RF180, RF280



SMA	GENDER	TYPE	PLATING	ORIENTATION	TERMINATION
	-J = Jack	-P = PCB Mount	-H = 30 μ" (0.76 μm) Gold center contact, 3 μ" (0.08 μm) Gold outer contact	-ST = Straight -RA = Right-angle	-TH1 = Through-hole -SM1 = Surface Mount (-GF-RA only) -EM1 = Edge Mount (-ST only) -EM3 = Drop-in Edge Mount (-ST only) -MT1 = Mixed Technology (-ST only)
			-GF = 10 μ" (0.25 μm) Gold center contact, 3 μ" (0.08 μm) Gold outer contact (-SM1 only)		



N TYPE TO 18 GHz

N Type Cable Assemblies

RF180, RF280



VSWR

RF180: 1.35 max.
RF280: 1.35 max.

SERIES	END 1 CONNECTOR	END 2 CONNECTOR	OVERALL LENGTH
RF180 = (4.52 mm) .178" overshield DIA, 16 AWG microwave cable RF280 = (7 mm) .277" overshield DIA, 11 AWG microwave cable	-06SP = N Type Straight Plug -06RP = N Type Right-angle Plug -06BJ = N Type Straight Bulkhead Jack	-06SP = N Type Straight Plug -06RP = N Type Right-angle Plug -06BJ = N Type Straight Bulkhead Jack	-"XXXX" = Overall length in millimeters -0100 (100 mm) 3.94" minimum

ALSO AVAILABLE

SMA, TNCA = RF180
SMA, TNCA = RF280

N Type Cable Connectors

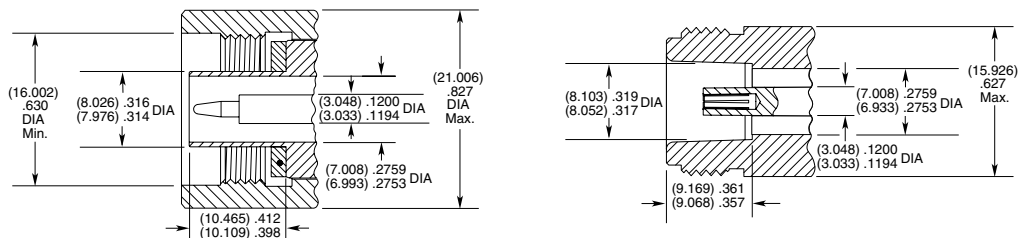
PRF06



CONNECTORS FOR INDUSTRY STANDARD CABLES	
PRF06-P-C-EP-142-SS	Harbour LL142, low loss flexible
PRF06-P-C-EP-190-SS	Semflex HP190, low loss flexible
PRF06-P-C-EP-335-SS	Harbour LL335, low loss flexible
PRF06-P-C-EP-290-SS	Semflex LA290, low loss flexible
PRF06-P-C-EP-142A-SS	Harbour SB142, low loss flexible
PRF06-P-C-EP-305-SS	Semflex HP305, low loss flexible
PRF06-P-C-EP-335-RS	Harbour LL335, low loss flexible
PRF06-J-C-EP-142-BS	Harbour LL142, low loss flexible
PRF06-J-C-EP-190-BS	Semflex HP190, low loss flexible
PRF06-P-C-EP-120A-SS	Semflex HP120, low loss flexible
PRF06-J-C-EP-402-4S	RG 402, .141, semi-rigid
PRF06-P-C-EP-142-RS	Harbour LL142, low loss flexible
PRF06-P-C-EP-190-RS	Semflex HP190, low loss flexible
PRF06-J-C-EP-290-BS	Semflex LA290, low loss flexible
PRF06-P-C-EP-141A-SS	Harbour SS402, flexible alternative to RG 402
PRF06-J-C-EP-335-BS	Harbour LL335, low loss flexible
PRF06-P-C-EP-335A-SS	Harbour LL335i, low loss flexible
PRF06-P-C-EP-290-RS	Semflex LA290, low loss flexible
PRF06-P-C-EP-300A-SS	Times Max Gain 300, low loss flexible
PRF06-P-C-EP-335A-RS	Harbour LL335i, low loss flexible
PRF06-P-C-EP-160B-SS	ATM CF-210, low loss flexible
PRF06-P-C-EP-270A-RS	Dynawave DF218, low loss flexible

P-C = Cable Plug
J-C = Cable Jack
EP = Plating (50 μ" Gold center contact, passivated outer contact)
SS = Straight, Solder Clamp
RS = Right-angle, Solder Clamp
BS = Bulkhead, Solder Clamp
4S = 4-hole Flange, Solder Clamp

INTERFACE STANDARD



TNCA TO 18 GHz

TNCA Cable Assemblies

RF180, RF280



VSWR

RF180: 1.35 max.
RF280: 1.35 max.

SERIES	END 1 CONNECTOR	END 2 CONNECTOR	OVERALL LENGTH
RF180 = (4.52 mm) .178" overshield DIA, 16 AWG microwave cable RF280 = (7 mm) .277" overshield DIA, 11 AWG microwave cable	-04SP = TNCA Straight Plug -04RP = TNCA Right-angle Plug (RF180 only) -04BJ = TNCA Straight Bulkhead Jack	-"XXXX" = Overall length in millimeters -0100 (100 mm) 3.94" minimum	

ALSO AVAILABLE

SMA, N Type = RF180
SMA, N Type = RF280

TNCA Cable Connectors

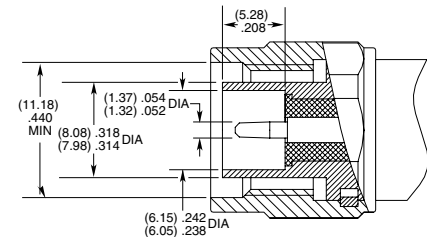
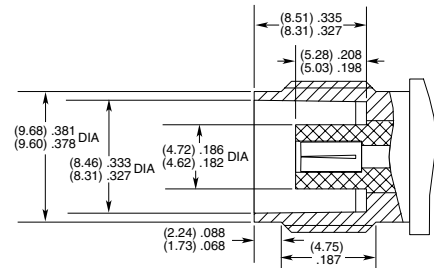
PRF04



CONNECTORS FOR INDUSTRY STANDARD CABLES	
PRF04-P-C-EP-142-RS	Harbour LL142
PRF04-J-C-EP-142-BS	Harbour LL142
PRF04-P-C-EP-142-SS	Harbour LL142
PRF04-P-C-EP-335-SS	Harbour LL335
PRF04-P-C-EP-290-SS	Semflex LA290
PRF04-J-C-EP-190-BS	Semflex HP190
PRF04-P-C-EP-190-RS	Semflex HP190
PRF04-P-C-EP-190-SS	Semflex HP190
PRF04-P-C-EP-335A-RS	Harbour LL335i
PRF04-J-C-EP-335A-BS	Harbour LL335i
PRF04-P-C-EP-300A-SS	Times Max Gain 300
PRF04-P-C-EP-200-SS	Times Max Gain 200
PRF04-P-C-EP-160A-SS	Harbour LL160
PRF04-J-C-EP-270A-BS	Dynawave DF218
PRF04-P-C-EP-135-SS	Dynawave DF440W
PRF04-P-C-EP-300A-SS	Times Max Gain 300
PRF04-J-C-EP-210A-BS	Micro-Coax UFA210A
PRF04-P-C-EP-210A-SS	Micro-Coax UFA210A
PRF04-P-C-EP-284-SS	Micro-Coax UFB311A
PRF04-J-C-EP-127-4S	Storm VSR150

For a complete list of TNCA cable connectors, visit www.samtec.com?PRF04

INTERFACE STANDARD



P-C = Cable Plug
J-C = Cable Jack
EP = Plating (50 μ" Gold center contact, passivated outer contact)
SS = Straight, Solder Clamp
RS = Right-angle, Solder Clamp
BS = Bulkhead, Solder Clamp
4S = 4-Hole Flange