

# 50 Ω SMA TO 6 GHz

## SMA Cable Assemblies

RF174, RF178, RF316, RS316, RF058



SERIES	END 1 CONNECTOR	END 2 CONNECTOR	OVERALL LENGTH
<b>RF174</b> = RG 174 Cable	<b>-01SP1</b> = SMA Straight Plug		<b>-“XXXX”</b> = Overall Length in millimeters
<b>RF178</b> = RG 178 Cable (-01BJ1 & -01BR1 only)	<b>-01RP1</b> = SMA Right-angle Plug		-0100 (100 mm) 3.94" minimum
<b>RF316</b> = RG 316 Cable, Single Braid Shield	<b>-01BJ1</b> = SMA Straight Bulkhead Jack		
<b>RS316</b> = RG 316 Cable, Double Shield (-01SP1 & -01BJ1 only)	<b>-01SB1</b> = Straight Bulkhead Jack, Sealed		
<b>RF058</b> = RG 58 Cable, (-01SP1, -01BJ1 & 01SB1 only)	<b>-01SR1</b> = Straight Bulkhead Jack, Sealed, Reversed Polarity		
	<b>-01BR1</b> = Straight Bulkhead Jack, Reversed Polarity		
	<b>-01PN1</b> = 4-Hole Panel Mount Jack		

### ALSO AVAILABLE

50 Ω: MCX, MMCX, SMB, BNC, TNC, N Type = RF174, RF178, RF316

50 Ω: MCX, MMCX, BNC, TNC = RS316

50 Ω: TNC = RF058

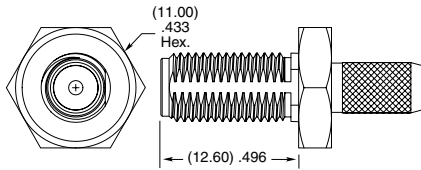
## SMA Cable Connectors

SMA-CA



Supplied with pins, washers, nuts and ferrules. See website for dimensions.

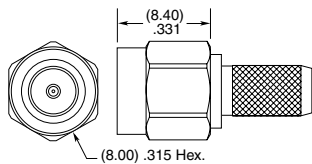
SMA	GENDER	TYPE	PLATING	ORIENTATION	TERMINATION
	<b>-J</b> = Jack	<b>-C</b> = Cable  <b>-C4</b> = Cable 4-Mounting Screws (-PN1 only)	<b>-H</b> = 30 μ" (0.76 μm) Gold center contact, 3 μ" (0.08 μm) Gold outer contact (N/A with -BH1S)  <b>-HF</b> = 30 μ" (0.76 μm) Gold center contact, 3 μ" (0.08 μm) Gold outer contact (-BH1S only)	<b>-ST</b> = Straight	<b>-BH1</b> = Bulkhead RG 174 / 316 Cable  <b>-BH2</b> = Bulkhead RG 178 Cable  <b>-BR1</b> = Bulkhead RG 174 / 316, Reversed Polarity  <b>-BR2</b> = Bulkhead RG 178 Cable, Reversed Polarity
					<b>-BH1S</b> = Bulkhead RG 316 Cable, Double Shield  <b>-B10</b> = Bulkhead RG 58 Cable  <b>-PN1</b> = 4-Hole Panel Mount RG 174 / 316 Cable  <b>-S10</b> = Sealed Bulkhead RG 58 Cable



## SMA Board Connectors

See page 145 for Board Connectors

SMA	GENDER	TYPE	PLATING	ORIENTATION	TERMINATION
	<b>-P</b> = Plug	<b>-C</b> = Cable	<b>-H</b> = 30 μ" (0.76 μm) Gold center contact, 3 μ" (0.08 μm) Gold outer contact (-CA1, -C10 only)  <b>-HF</b> = 30 μ" (0.76 μm) Gold center contact, 3 μ" (0.08 μm) Gold outer contact (-CA1S only)	<b>-ST</b> = Straight  <b>-RA</b> = Right-angle	<b>-CA1</b> = RG 174 / 316 Cable  <b>-C10</b> = RG 58 Cable (-ST only)  <b>-CA1S</b> = RG 316 Double Shielded Cable (-ST only)



Supplied with pins, washers, nuts and ferrules. See website for dimensions.

## 50 Ω MCX TO 6 GHz

### MCX Cable Assemblies

RF174, RF178, RF316, RS316



SERIES	END 1 CONNECTOR	END 2 CONNECTOR	OVERALL LENGTH
<b>RF174</b> = RG 174 Cable	<b>-02SJ1</b> = MCX Straight Jack		<b>-“XXXX”</b> = Overall Length in millimeters
<b>RF178</b> = RG 178 Cable	<b>-02RP1</b> = MCX Right-angle Plug (RS316 not available)		-0100 (100 mm) 3.94" minimum
<b>RF316</b> = RG 316 Cable, Single Braid Shield	<b>-02SP1</b> = MCX Straight Plug		
<b>RS316</b> = RG 316 Cable, Double Shielded			

#### ALSO AVAILABLE

50 Ω: MMCX, SMA, SMB, BNC, TNC,

N Type = RF174, RF178, RF316

50 Ω: MMCX, SMA, BNC, TNC = RS316

### MCX Cable Connectors

MCX-CA



Supplied with pins and ferrules. See website for dimensions.

CONNECTORS FOR INDUSTRY STANDARD CABLES	
MCX-J-C-H-ST-CA1	RG 174/316 Cable
MCX-J-C-H-ST-CA2	RG 178 Cable
MCX-J-C-HF-ST-CA1S	RG 316 Double Shielded Cable
MCX-P-C-H-ST-CA1	RG 174/316 Cable
MCX-P-C-H-ST-CA2	RG 178 Cable
MCX-P-C-HF-ST-CA1S	RG 316 Double Shielded Cable
MCX-P-C-H-RA-CA1	RG 174/316 Cable
MCX-P-C-H-RA-CA2	RG 178 Cable

P-C = Cable Plug

J-C = Cable Jack

H or HF = Plating (30 μ" Gold center contact, 3 μ" Gold outer contact)

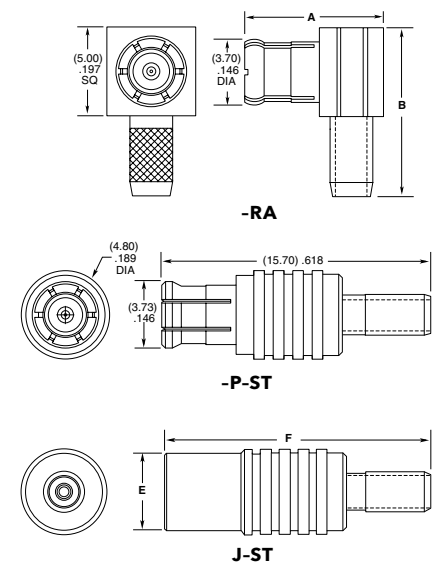
ST = Straight

RA = Right-angle

TYPE (-RA)	A	B
-P-CA1	(7.78) .306	(9.50) .374
-P-CA2	(8.58) .338	(10.00) .394

TYPE (-ST)	E	F
-J-CA1	(4.50) .177	(15.50) .610
-J-CA2	(4.78) .188	(15.00) .591
-J-CA1S	(4.50) .177	(15.50) .610



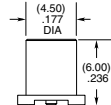
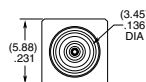
### MCX Board Connectors

MCX-TH, MCX-SM, MCX-EM, MCX-MT

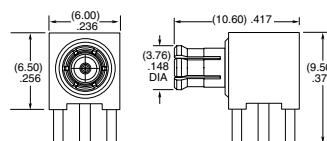
**Cable Mates:**  
RF174, RF178, RF316, RS316, GRF1H-C, IJ5H



MCX	GENDER	TYPE	PLATING	ORIENTATION	TERMINATION
	<b>-J</b> = Jack	<b>-P</b> = PCB Mount	<b>-H</b> = 30 μ" (0.76 μm) Gold center contact, 3 μ" (0.08 μm) Gold outer contact	<b>-ST</b> = Straight	<b>-TH1</b> = Through-hole (-ST plug not available)
	<b>-P</b> = Plug			<b>-RA</b> = Right-angle	<b>-TH2</b> = Elevated Through-hole (-ST plug only)
					<b>-SM1</b> = Surface Mount (Jack only)
					<b>-EM1</b> = Edge Mount (-ST Jack only)
					<b>-MT1</b> = Mixed Technology (-ST Jack only)



**-ST-SM1 (Jack)**



**-RA-TH1 (Plug)**

# 50 Ω MMCX TO 6 GHz

## MMCX Cable Assemblies

RF174, RF178, RF316, RS316



SERIES	END 1 CONNECTOR	END 2 CONNECTOR	OVERALL LENGTH
<b>RF174</b> = RG 174 Cable	<b>-03SP1</b> = MMCX Straight Plug		<b>-“XXXX”</b> = Overall Length in millimeters -0100 (100 mm) 3.94" minimum
<b>RF178</b> = RG 178 Cable (-03SP1 & -03RP1 only)	<b>-03RP1</b> = MMCX Right-angle Plug		
<b>RF316</b> = RG 316 Cable, Single Braid Shield	<b>-V3SP1</b> = MMCXV Straight Plug, High Vibration		
<b>RS316</b> = RG 316 Cable, Double Shielded (-03SP1 only)	<b>-V3RP1</b> = MMCXV Right-angle Plug, High Vibration		
	<b>-V3SJ1</b> = MMCXV Straight Jack, High Vibration		

### ALSO AVAILABLE

50 Ω: MCX, SMA, SMB, BNC, TNC,  
N Type = RF174, RF178, RF316  
50 Ω: MCX, SMA, BNC, TNC = RS316

## MMCX Cable Connectors

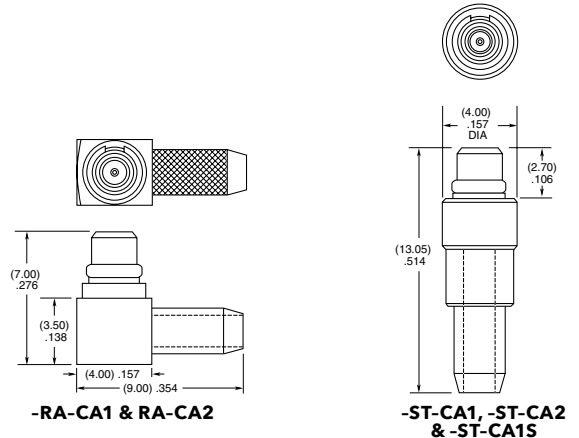
MMCX-CA



CONNECTORS FOR INDUSTRY STANDARD CABLES	
MMCX-P-C-H-ST-CA1	RG 174/316 Cable
MMCX-P-C-H-ST-CA2	RG 178 Cable
MMCX-P-C-HF-ST-CA1S	RG 316 Double Shielded Cable
MMCX-P-C-H-RA-CA1	RG 174/316 Cable
MMCX-P-C-H-RA-CA2	RG 178 Cable

P-C = Cable Plug  
H or HF = Plating (30 μ" Gold center contact,  
3 μ" Gold outer contact)  
ST = Straight  
RA = Right-angle

Supplied with pins and ferrules.  
See website for dimensions.



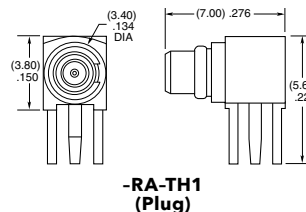
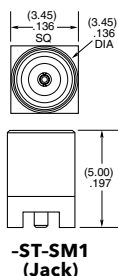
## MMCX Board Connectors

MMCX-SM, MMCX-TH, MMCX-MT, MMCX-EM

**Cable Mates:**  
RF174, RF178, RF316, RS316, GRF1H-C, IJ5H



MMCX	GENDER	TYPE	PLATING	ORIENTATION	TERMINATION
	<b>-J</b> = Jack	<b>-P</b> = PCB Mount	<b>-H</b> = 30 μ" (0.76 μm) Gold center contact, 3 μ" (0.08 μm) Gold outer contact	<b>-ST</b> = Straight <b>-RA</b> = Right-angle	<b>-TH1</b> = Through-hole <b>-MT1</b> = Mixed Technology (-ST only) <b>-SM1</b> = Surface Mount (-RA plug not available) <b>-EM1</b> = Edge Mount (-ST only)
	<b>-P</b> = Plug				



## 50 Ω TNC TO 6 GHz

### TNC Cable Assemblies

RF174, RF178, RF316, RS316, RF058



SERIES	END 1 CONNECTOR	END 2 CONNECTOR	OVERALL LENGTH
<b>RF174</b> = RG 174 Cable	<b>-05SP3</b> = TNC Straight Plug (RF058 not available)		<b>-"XXXX"</b> = Overall Length in millimeters
<b>RF178</b> = RG 178 Cable	<b>-05BJ3</b> = TNC Straight Bulkhead Jack (RS316 & RF058 not available)		-0100 (100 mm) 3.94" minimum
<b>RF316</b> = RG 316 Cable, Single Braid Shield	<b>-05SR3</b> = TNC Straight Plug, Reversed Polarity (RF058 only)		
<b>RS316</b> = RG 316 Cable, Double Shielded			
<b>RF058</b> = RG 58 Cable			

**ALSO AVAILABLE**

50 Ω: MCX, MMCX, SMA, SMB, BNC,  
N Type = RF174, RF178, RF316

50 Ω: MCX, MMCX, SMA, BNC = RS316

50 Ω: SMA, N Type = RF058

### TNC Cable Connectors

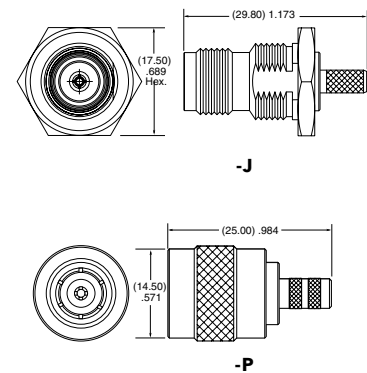
TNC-CA



Supplied with pins, washers, nuts and ferrules. See website for dimensions.

CONNECTORS FOR INDUSTRY STANDARD CABLES	
TNC-P-C-GN-ST-CA1	RG 174/316 Cable
TNC-P-C-GN-ST-CA2	RG 178 Cable
TNC-P-C-GN-SR-C10	RG 58 Cable
TNC-J-C-GN-ST-BH1	RG 174/316 Cable, Bulkhead
TNC-J-C-GN-ST-BH2	RG 178 Cable, Bulkhead

P-C = Cable Plug  
J-C = Cable Jack  
GN = Plating (10 μ" Gold on contact, Nickel on body)  
ST = Straight  
SR = Straight Reverse Polarity



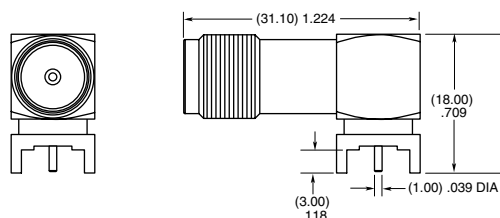
### TNC Board Connectors

TNC-TH

**Cable Mates:**  
RF174, RF178, RF316, RS316, RF058, GRF1H-C



TNC	GENDER	TYPE	PLATING	ORIENTATION	TERMINATION
	<b>-J</b> = Jack	<b>-P</b> = PCB Mount	<b>-H</b> = 30 μ" (0.76 μm) Gold center contact, Nickel on shell	<b>-RA</b> = Right-angle	<b>-TH1</b> = Through-hole



## 50 Ω BNC TO 4 GHz

### BNC Cable Assemblies RF174, RF178, RF316, RS316



SERIES	END 1 CONNECTOR	END 2 CONNECTOR	OVERALL LENGTH
<b>RF174</b> = RG 174 Cable	<b>-04SP3</b> = BNC Straight Plug (RS316 not available)	<b>-04BJ2</b> = BNC Bulkhead Jack	<b>-“XXXX”</b> = Overall Length in millimeters  -0100 (100 mm) 3.94" minimum
<b>RF178</b> = RG 178 Cable			
<b>RF316</b> = RG 316 Cable, Single Braid Shield			
<b>RS316</b> = RG 316 Cable, Double Shielded			
<b>ALSO AVAILABLE</b>			
50 Ω: MCX, MMCX, SMA, SMB, TNC, N Type = RF174, RF178, RF316			
50 Ω: MCX, MMCX, SMA, TNC = RS 316			

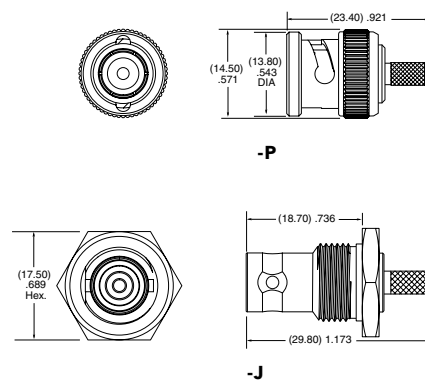
### BNC Cable Connectors BNC5-CA



Supplied with pins, washers, nuts, gaskets and ferrules. See website for dimensions.

CONNECTORS FOR INDUSTRY STANDARD CABLES	
BNC5-P-C-GN-ST-CA1	RG 174/316 Cable
BNC5-P-C-GN-ST-CA2	RG 178 Cable
BNC5-J-C-GN-ST-BH1	RG 174/316 Cable, Bulkhead
BNC5-J-C-GN-ST-BH2	RG 178 Cable, Bulkhead
BNC5-J-C-GN-ST-BH1S	RG 316 Double Shielded Cable, Bulkhead

P-C = Cable Plug  
J-C = Cable Jack  
GN = Plating (10 μ" Gold on contact, Nickel on body)  
ST = Straight



## 50 Ω SMB TO 4 GHz

### SMB Cable Assemblies

RF174, RF178, RF316



SERIES	END 1 CONNECTOR	END 2 CONNECTOR	OVERALL LENGTH
<b>RF174</b> = RG 174 Cable	<b>-07SP1</b> = SMB Straight Plug		<b>-“XXXX”</b> = Overall Length in millimeters  -0100 (100 mm) 3.94" minimum
<b>RF178</b> = RG 178 Cable	<b>-07RP1</b> = SMB Right-angle Plug		
<b>RF316</b> = RG 316 Cable, Single Braid Shield	<b>-07BJ1</b> = SMB Bulkhead Jack		
	<b>-07BJ2</b> = SMB Bulkhead Jack (RF178 only)		

### ALSO AVAILABLE

50 Ω: MCX, MMCX, SMA, BNC, TNC,  
N Type = RF174, RF178, RF316

### SMB Cable Connectors

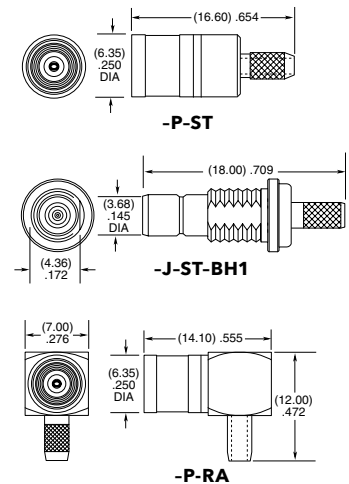
SMB5-CA



CONNECTORS FOR INDUSTRY STANDARD CABLES	
SMB5-P-C-H-ST-CA1	RG 174/316 Cable
SMB5-P-C-H-RA-CA1	RG 174/316 Cable
SMB5-J-C-H-ST-CA2	RG 178 Cable
SMB5-J-C-H-ST-BH1	RG 316 Cable, Bulkhead

P-C = Cable Plug  
J-C = Cable Jack  
H = Plating (30 μ" Gold center contact, 3 μ" Gold on outer contact)  
ST = Straight  
RA = Right-angle

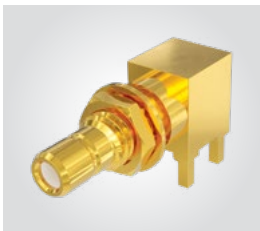
Supplied with pins, washers, nuts and ferrules. See website for dimensions.



### SMB Board Connectors

SMB5-TH

**Cable Mates:**  
RF174, RF178, RF316,  
GRF1H-C, IJ5H



SMB5	GENDER	TYPE	PLATING	ORIENTATION	TERMINATION
------	--------	------	---------	-------------	-------------

**-J**  
= Jack

**-P**  
= PCB Mount

**-H**  
= 30 μ" (0.76 μm) Gold center contact, 3 μ" (0.08 μm) Gold outer contact

**-RA**  
= Right-angle

**-TH1**  
= Through-hole

