

SMA TO 26.5 GHz

SMA Cable Assemblies

RF23C, RF25S, RF402, RF405, RF180, RF280



VSWR

RF23C: 1.30 max.
RF25S: 1.60 max.
RF402: 1.50 max.
RF405: 1.35 max.
RF180: 1.35 max.
RF280: 1.35 max.

Additional connector options available.
 Contact RFGroup@samtec.com

SERIES	END 1 CONNECTOR	END 2 CONNECTOR	OVERALL LENGTH
RF23C = MCW-2350CU-01 millimeter wave cable with copper foil shield RF402 =RG 402 (.141") 19 AWG semi-flexible microwave cable RF405 = RG 405 (.086") 24 AWG semi-flexible microwave cable RF180 = (4.52 mm) .178" overshield DIA, 16 AWG microwave cable RF280 = (7 mm) .277" overshield DIA, 11 AWG microwave cable	-01SP1* = SMA Straight Plug -01RP1* = SMA Right-angle Plug (RF23C & RF25S not available) -01BJ1* = SMA Bulkhead Jack (RF402 & RF405 not available) -01SB = Straight Bulkhead Jack, Sealed (RF23C only)	-“XXXX” = Overall Length in millimeters -0100 (100 mm) 3.94" minimum	

*Remove last "1" from end connector when specifying RF23C, RF180 & RF280.

ALSO AVAILABLE

2.40 mm, 2.92mm, SMPM = RF23C
 SMP = RF25S, RF405
 TNCA, N Type = RF180
 TNCA, N Type = RF280

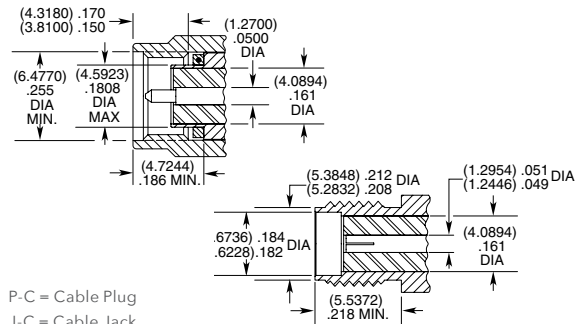
SMA Cable Connectors

PRF01



CONNECTORS FOR INDUSTRY STANDARD CABLES	
PRF01-P-C-EP-120B-SS	IW 1201, low loss flexible
PRF01-P-C-EP-120-SS	Harbour LL120, low loss flexible
PRF01-P-C-EP-142-SS	Harbour LL142, low loss flexible
PRF01-P-C-EP-190-SS	Semflex HP190, low loss flexible
PRF01-P-C-EP-335-SS	Harbour LL335, low loss flexible
PRF01-P-C-EP-290-SS	Semflex LA290, low loss flexible
PRF01-P-C-EP-142A-SS	Harbour SB142, low loss flexible
PRF01-P-C-EP-142-RS	Harbour LL142, low loss flexible
PRF01-P-C-EP-190-RS	Semflex HP190, low loss flexible
PRF01-J-C-EP-142-SS	Harbour LL142, low loss flexible
PRF01-P-C-EP-141A-SS	Harbour SS402, flexible alternative to RG 402
PRF01-P-C-EP-160-RS	Semflex HP160, low loss flexible
PRF01-P-C-EP-305-SS	Semflex HP305, low loss flexible
PRF01-P-C-EP-335A-SS	Harbour LL335i, low loss flexible

INTERFACE STANDARD



P-C = Cable Plug
 J-C = Cable Jack
 EE = Plating (50 μ" Gold center contact & outer contact)
 EP = Plating (50 μ" Gold center contact, passivated outer contact)
 SS = Straight, Solder Clamp
 RS = Right-angle, Solder Clamp

SMA Board Connectors

SMA-TH, SMA-SM, SMA-MT, SMA-EM

Cable Mates:
 RF23C, RF25S, RF402, RF405, RF180, RF280



SMA	GENDER	TYPE	PLATING	ORIENTATION	TERMINATION
	-J = Jack	-P = PCB Mount	-H = 30 μ" (0.76 μm) Gold center contact, 3 μ" (0.08 μm) Gold outer contact -GF = 10 μ" (0.25 μm) Gold center contact, 3 μ" (0.08 μm) Gold outer contact (-SM1 only)	-ST = Straight -RA = Right-angle	-TH1 = Through-hole -SM1 = Surface Mount (-GF-RA only) -EM1 = Edge Mount (-ST only) -EM3 = Drop-in Edge Mount (-ST only) -MT1 = Mixed Technology (-ST only)

