

SMA TO 26.5 GHz

SMA Cable Assemblies

RF23C, RF25S, RF402, RF405, RF180, RF280



VSWR

RF23C: 1.30 max.
RF25S: 1.60 max.
RF402: 1.50 max.
RF405: 1.35 max.
RF180: 1.35 max.
RF280: 1.35 max.

Additional connector options available.
 Contact RFGroup@samtec.com

SERIES	END 1 CONNECTOR	END 2 CONNECTOR	OVERALL LENGTH
RF23C = MCW-2350CU-01 millimeter wave cable with copper foil shield RF402 =RG 402 (.141") 19 AWG semi-flexible microwave cable RF405 = RG 405 (.086") 24 AWG semi-flexible microwave cable RF180 = (4.52 mm) .178" overshield DIA, 16 AWG microwave cable RF280 = (7 mm) .277" overshield DIA, 11 AWG microwave cable	-01SP1* = SMA Straight Plug -01RP1* = SMA Right-angle Plug (RF23C & RF25S not available) -01BJ1* = SMA Bulkhead Jack (RF402 & RF405 not available) -01SB = Straight Bulkhead Jack, Sealed (RF23C only)	-“XXXX” = Overall Length in millimeters -0100 (100 mm) 3.94" minimum	

*Remove last "1" from end connector when specifying RF23C, RF180 & RF280.

ALSO AVAILABLE

2.40 mm, 2.92mm, SMPM = RF23C
 SMP = RF25S, RF405
 TNCA, N Type = RF180
 TNCA, N Type = RF280

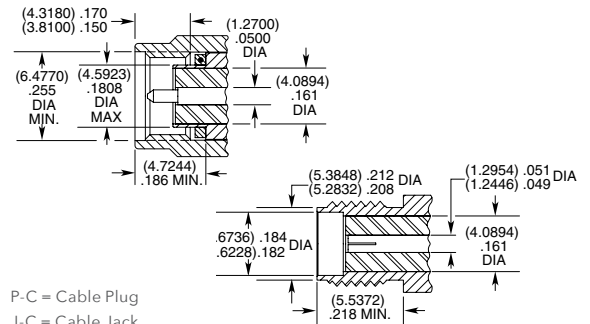
SMA Cable Connectors

PRF01



CONNECTORS FOR INDUSTRY STANDARD CABLES	
PRF01-P-C-EP-120B-SS	IW 1201, low loss flexible
PRF01-P-C-EP-120-SS	Harbour LL120, low loss flexible
PRF01-P-C-EP-142-SS	Harbour LL142, low loss flexible
PRF01-P-C-EP-190-SS	Semflex HP190, low loss flexible
PRF01-P-C-EP-335-SS	Harbour LL335, low loss flexible
PRF01-P-C-EP-290-SS	Semflex LA290, low loss flexible
PRF01-P-C-EP-142A-SS	Harbour SB142, low loss flexible
PRF01-P-C-EP-142-RS	Harbour LL142, low loss flexible
PRF01-P-C-EP-190-RS	Semflex HP190, low loss flexible
PRF01-J-C-EP-142-SS	Harbour LL142, low loss flexible
PRF01-P-C-EP-141A-SS	Harbour SS402, flexible alternative to RG 402
PRF01-P-C-EP-160-RS	Semflex HP160, low loss flexible
PRF01-P-C-EP-305-SS	Semflex HP305, low loss flexible
PRF01-P-C-EP-335A-SS	Harbour LL335i, low loss flexible

INTERFACE STANDARD



P-C = Cable Plug
 J-C = Cable Jack
 EE = Plating (50 μ" Gold center contact & outer contact)
 EP = Plating (50 μ" Gold center contact, passivated outer contact)
 SS = Straight, Solder Clamp
 RS = Right-angle, Solder Clamp

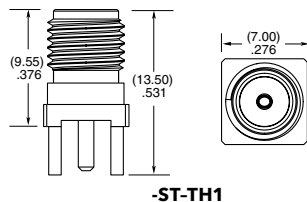
SMA Board Connectors

SMA-TH, SMA-SM, SMA-MT, SMA-EM

Cable Mates:
 RF23C, RF25S, RF402, RF405, RF180, RF280



SMA	GENDER	TYPE	PLATING	ORIENTATION	TERMINATION
	-J = Jack	-P = PCB Mount	-H = 30 μ" (0.76 μm) Gold center contact, 3 μ" (0.08 μm) Gold outer contact -GF = 10 μ" (0.25 μm) Gold center contact, 3 μ" (0.08 μm) Gold outer contact (-SM1 only)	-ST = Straight -RA = Right-angle	-TH1 = Through-hole -SM1 = Surface Mount (-GF-RA only) -EM1 = Edge Mount (-ST only) -EM3 = Drop-in Edge Mount (-ST only) -MT1 = Mixed Technology (-ST only)



SMP TO 40 GHz

SMP Cable Assemblies

RF25S, RF405



VSWR

RF25S: Contact Samtec
RF405: Contact Samtec

SERIES	END 1 CONNECTOR	END 2 CONNECTOR	OVERALL LENGTH
<p>RF25S = MWC-2550-01 microwave cable with 25 AWG solid FEP dielectric</p> <p>RF405 = RG 405 (.086") 24 AWG semi-flexible microwave cable</p>	<p>-00SJ7 = SMP Straight Jack</p> <p>-00RJ7 = SMP Right-angle Jack</p>		<p>-"XXXX" = Overall Length in millimeters</p> <p>-0100 (100 mm) 3.94" minimum</p>
ALSO AVAILABLE			
SMA = RF25S			
SMA = RF405			

SMP Cable Connectors

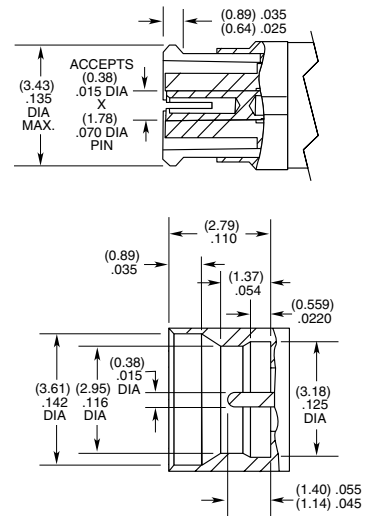
PRF00



CONNECTORS FOR INDUSTRY STANDARD CABLES	
PRF00-J-C-EE-047A-RD	.047 Temp-Flex, low loss flexible, 29 AWG
PRF00-J-C-EE-085A-SD	.085, semi-rigid, 23 AWG
PRF00-PF-C-KK-047D-BD	.047, semi-rigid

J-C = Cable Jack
 EE = Plating (50 μ" Gold center contact & outer contact)
 KK = Plating (100 μ" Gold over Nickel center contact, passivated outer contact)
 BD = Bulkhead, Direct Solder
 SD = Straight, Direct Solder
 RD = Right-angle, Direct Solder

INTERFACE STANDARD (FULL DETENT)



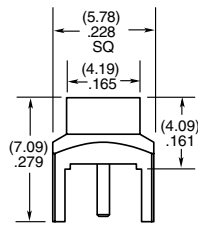
SMP TO 40 GHz

SMP Board Connectors SMP-TH, SMP-EM

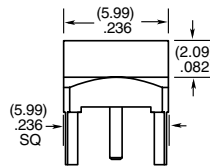
Cable Mates:
RF405, RF255



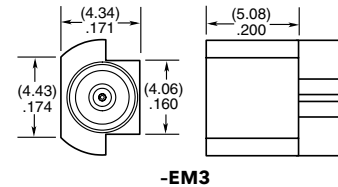
SMP	GENDER	TYPE	PLATING	ORIENTATION	TERMINATION
	-PF = Plug, Full Detent -PL = Plug, Limited Detent -PS = Plug, Smooth Bore -PC = Plug, Catcher's Mitt	-P = PCB Mount	-GF = 10 μ " (0.25 μ m) Gold center contact, Gold Flash outer contact (-TH2 only) -HH = 30 μ " (0.76 μ m) Gold center and outer contact (-EM3)	-ST = Straight	-TH2 = Through-hole -EM3 = Drop-in Edge Mount (Not available with -PC)



-PF/-PL/-PS-TH2



-PC-TH2

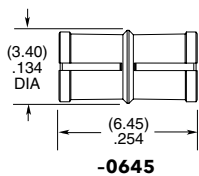


-EM3

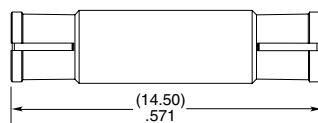
SMP Bullet Adaptor SMP-B



SMP	J	TYPE	PLATING	ORIENTATION	BULLET LENGTH
		-B = Bullet Adaptor	-GF = 10 μ " (0.25 μ m) Gold center contact, Gold Flash outer contact	-ST = Straight	-0645 = 6.45 mm (.254") -1450 = 14.50 mm (.571")

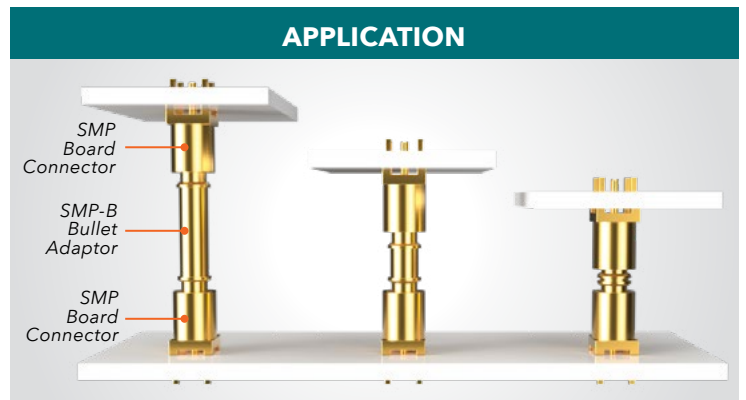


-0645



-1450

APPLICATION



Compensates for axial & radial misalignment