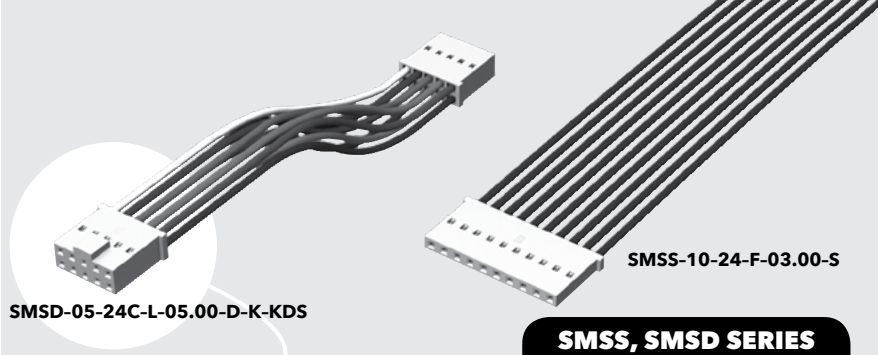




miniMATE®



(2.54 mm) .100"

SMSS, SMSD SERIES

MINI MATE® UNIVERSAL CABLE ASSEMBLY

SPECIFICATIONS

For complete specifications see www.samtec.com?SMSS or www.samtec.com?SMSD

Insulator Material:

Nylon 6/6, White
Contact Material:
Phosphor Bronze

Plating:

Au or Sn over
50 μm (1.27 μm) Ni

Operating Temp Range:

-10 °C to +105 °C

Current Rating (SMSD-24/HTSS):

4 A per pin
(1 pin powered per row)

Voltage Rating:

406 VAC

Insertion Depth:

(5.33 mm) .210" to
(6.86 mm) .270"

Wire:

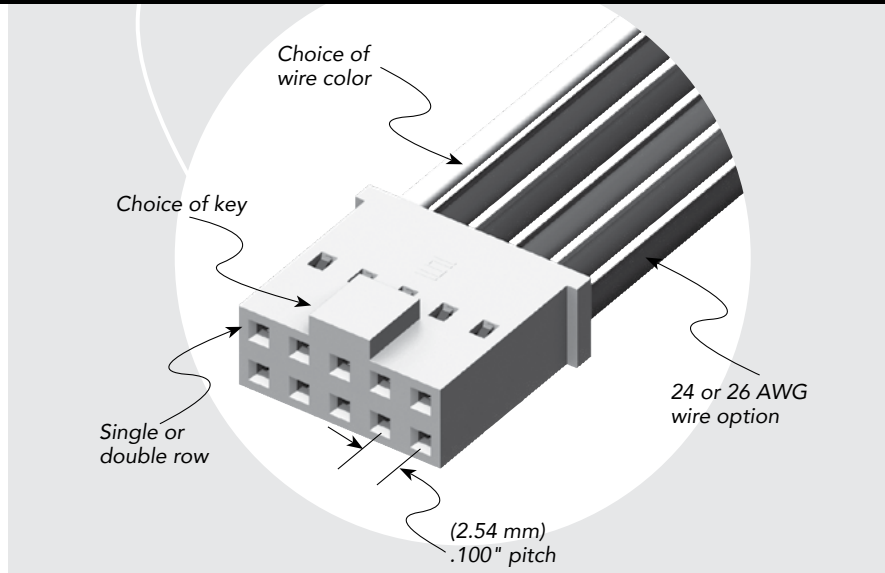
24 or 26 AWG

RoHS Compliant:

Yes

Mates with:

Any .025" (0.64 mm) SQ
.100" x .100"
(2.54 mm) x (2.54 mm)
unshrouded terminal strip,
TSW, HTSW, TSM,
MTSW, HMTSW, PHT,
TLW, MTLW, DW, EW,
ZW, HW, TSSH, TSS, TST,
HTSS, HTST, ZSS, ZST



RECOGNITIONS

For complete scope of recognitions see www.samtec.com/quality



APPLICATION

-24C CABLE COLOR CODING	
PIN	COLOR
1	BROWN
2	RED
3	ORANGE
4	YELLOW
5	GREEN
6	BLUE
7	VIOLET
8	GRAY
9	WHITE
10	BLACK
ETC	REPEAT

ALSO AVAILABLE (MOQ Required)

- Other sizes
- Contact Samtec.

Notes:

For wiring option information refer to drawing on web.

Some lengths, styles and options are non-standard, non-returnable.

