



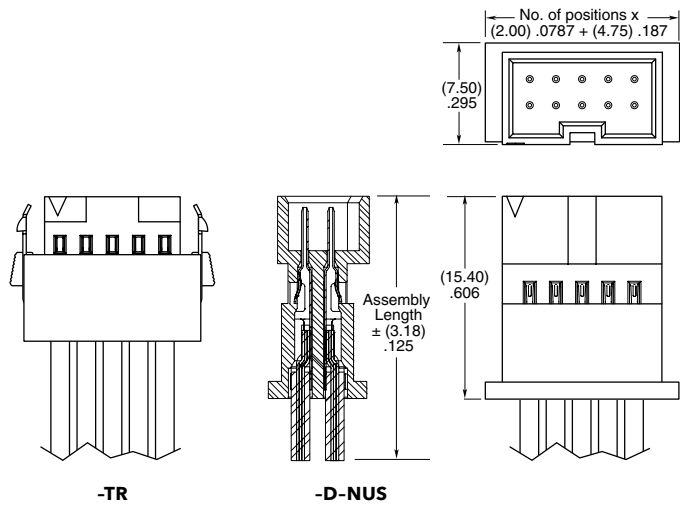
(2.00 mm) .0787" PITCH • DISCRETE WIRE CABLE ASSEMBLY

SERIES	PINS PER ROW	WIRE GAUGE	PLATING OPTION	ASSEMBLED LENGTH	END OPTIONS	END 2 OPTIONS
T2SD = Double Row PVC Cable	-05, -07, -10, -15, -20, -25, -30 (Standard sizes)	-24 -24C = Color Coded Cable (T2SD only)	-L = 10 μ" (0.25 μm) Gold on contact	-"XX.XX" = Wire Length in Inches -S = (76.3 mm) 03.00" min. -D = (82.55 mm) 03.25" min.	-S = Single End -D = Double End -T = Transfer End (Socket on end 2) -TR = Transfer End with Retention Latch on Socket	(Only available with -D, -T & -TR) (See Chart for pin configuration) -NUS = Notch up, straight -NDS = Notch down, straight -NUX = Notch up, crossed -NDX = Notch down, crossed
T2SDT = Double Row Blue *Teflon® Cable (24, 28, 30 Gauge only)		-26 -28 -30				

T2SD(T)
Board Mates:
T2M (Requires -T or -TR),
S2M

SPECIFICATIONS

Insulator Material: Black LCP
Terminal Material: Phosphor Bronze
Plating: Au over 50 μ" (1.27 μm) Ni
Wire: 24, 26, 28 or 30 AWG
Current Rating (T2SD/S2M): 2.6 A per pin (2 pins powered)
Operating Temp Range: -10 °C to +105 °C (PVC) -40 °C to +125 °C (*Teflon®)
Voltage Rating: 350 VAC



END 1 OPTION	PIN CONFIGURATION			
	END 2 -NUS	END 2 -NDS	END 2 -NUX	END 2 -NDX
-D	Pin 1 to Pin N-1	Pin 1 to Pin 2	Pin 1 to Pin N	Pin 1 to Pin 1
-T & -TR	Pin 1 to Pin 1	Pin 1 to Pin N	Pin 1 to Pin 2	Pin 1 to Pin N-1

-24C CABLE COLOR CODING	
PIN	COLOR
1	BROWN
2	RED
3	ORANGE
4	YELLOW
5	GREEN
6	VIOLET
7	GRAY
8	WHITE
9	BLACK
10	BLUE
ETC	REPEAT

*DuPont™ Teflon® is a registered trademark of the E.I. du Pont de Nemours and Company or its affiliates.

Notes:
Teflon® cable is intended for crimp only. Contact Samtec for solderable cable applications.
For wiring option information refer to drawings on web.

Some lengths, styles and options are non-standard, non-returnable.

View complete specifications at: samtec.com?T2SD & samtec.com?T2SDT