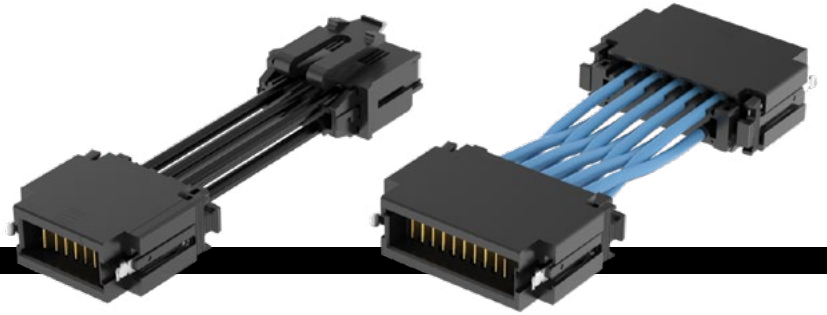


## ULTRA MICRO CABLE-TO-CABLE

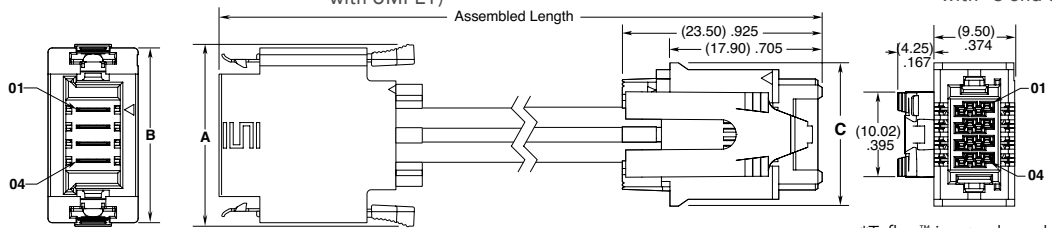


SERIES	NO. OF POSITIONS	PLATING OPTION	WIRE GAUGE	LENGTH	END 2 OPTION	PINOUT
<b>UMPE</b> = Ultra Micro PVC Cable	<b>-02, -03, -04, -05, -06, -07, -08, -09, -10</b>	<b>-L</b> = 10 μ" (0.25 μm) Gold on contact, Tin on tail	<b>-16</b> = 16 AWG	<b>-"XX.X"</b> = Assembled Length in Inches	(Leave blank for Single ended)	(Leave blank for Single ended)
<b>UMPET</b> = Ultra Micro Blue *Teflon Fluoropolymer Cable		<b>-S</b> = 30 μ" (0.76 μm) Gold on contact, Tin on tail	<b>-16C</b> = 16C AWG Color Coded Cable (not available with UMPET)	Single ended = (76.2 mm) 03.0" min. Double ended = (101.6 mm) 04.0" min. (2-4 positions)	<b>-T</b> = Terminal	<b>-M1</b> = Metal Latch Pin 01 to Pin 01
		<b>-T</b> = Tin	<b>-18</b> = 18 AWG	Double ended = (127.0 mm) 05.0" min. (5-10 positions)	<b>-S</b> = Socket	<b>-M2</b> = Metal Latch Pin 01 to Pin N
<b>UMPE(T)</b> Cable Mates: UMPI(T) End 2 Mates: UMPI(T), UMPT			<b>-18C</b> = 18C AWG Color Coded Cable (not available with UMPET)			<b>-P1</b> = Plastic Latch Pin 01 to Pin 01
						<b>-P2</b> = Plastic Latch Pin 01 to Pin N (PX only available with -S end option)

UMPET PRELIMINARY

### SPECIFICATIONS

**Insulator Material:** Black LCP  
**Contact Material:** Copper Alloy  
**Plating:** Sn or Au over 50 μ" (1.27 μm) Ni  
**Wire:** 16 or 18 AWG  
**Voltage Rating:** UMPE = 300 V  
 UMPET (16 AWG) = 600 V  
 UMPET (18 AWG) = 300 V



NO. OF POSITIONS	A	B	C
-02	(17.38) .684	(16.55) .652	(12.85) .506
-03	(19.38) .763	(18.55) .730	(14.85) .585
-04	(21.38) .842	(20.55) .809	(16.85) .663
-05	(23.38) .920	(22.55) .888	(18.85) .742
-06	(25.38) .999	(24.55) .967	(20.85) .821
-07	(27.38) 1.078	(26.55) 1.045	(22.85) .900
-08	(29.38) 1.157	(28.55) 1.124	(24.85) .978
-09	(31.38) 1.235	(30.55) 1.203	(26.85) 1.057
-10	(33.38) 1.314	(32.55) 1.281	(28.85) 1.136

CABLE COLOR CODING	
PIN	COLOR
1	BROWN
2	RED
3	ORANGE
4	YELLOW
5	GREEN
6	BLUE
7	VIOLET
8	GRAY
9	WHITE
10	BLACK

\*Teflon™ is a trademark of The Chemours Company FC, LLC used under license by Samtec.


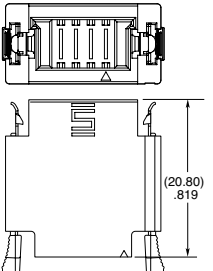
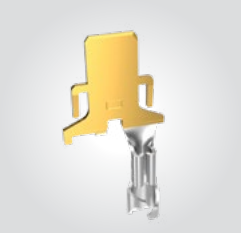
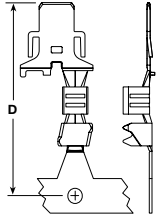
**Notes:** Teflon™ Fluoropolymer cable is intended for crimp only. Contact Samtec for solderable cable applications.

For wiring option information refer to drawings on web.

Some lengths, styles and options are non-standard, non-returnable

UMPE CABLE HOLDER (Required for use with UMPE)		
SERIES	NUMBER OF POSITIONS	LEAD STYLE
IMPEC	-02, -03, -04, -05, -06, -07, -08, -09, -10	01= 16 AWG
		02 = 18 AWG

View complete specifications at: [samtec.com?UMPE](http://samtec.com?UMPE) & [samtec.com?UMPET](http://samtec.com?UMPET)

IMPE	NO. OF POSITIONS	LATCH OPTION	TC146	01	PLATING	HOT SWAP	PACKAGING						
	<b>-02, -03, -04, -05, -06, -07, -08, -09, -10</b>	<b>-M</b> = Metal Side Latches			<b>-L</b> = 10 μ" (0.25 μm) Gold on contact, Tin on tail	<b>-1</b> = 6.60	<b>-R</b> = Full Reel (5,000 Contacts)						
					<b>-S</b> = 30 μ" (0.76 μm) Gold on contact, Tin on tail	<b>-2</b> = 7.10	<b>-M</b> = Mini Reel (1,000 Contacts)						
					<b>-T</b> = Tin		<b>-B</b> = Bubble Bag (35 Contacts)						
							<table border="1"> <thead> <tr> <th>HOT SWAP</th> <th>D</th> </tr> </thead> <tbody> <tr><td>-1</td><td>(21.31) .839</td></tr> <tr><td>-2</td><td>(21.81) .859</td></tr> </tbody> </table>	HOT SWAP	D	-1	(21.31) .839	-2	(21.81) .859
HOT SWAP	D												
-1	(21.31) .839												
-2	(21.81) .859												

### TOOLING

Hand Tool: CAT-HT-489-1618-13

Mini Applicator: CAT-MC-489-1618-XX-01

View complete specifications at: [samtec.com?IMPE](http://samtec.com?IMPE) & [samtec.com?TC146](http://samtec.com?TC146)