

SMD LED

type PLCC6

- top LED
- dimension 5.0 x 5.0 x 1.5mm
- viewing angle: 120°
- RoHS compliant



Part Number	Old Part Number	Peak Wavelength	Intensity (mcd)			Angle (deg)	Voltage (V)		Lens Colour
			min	typ	max		typ	max	
SLO-230B-00010	SMD-BPLCC6-02	465nm	780	1000	-	120°	2.8	3.2	waterclear
SLO-230G-00005	SMD-GPLCC6-02	520nm	1800	-	3500	120°	2.8	3.2	waterclear
SLO-230R-00004	SMD-RPLCC6-02	630nm	1300	1700	-	120°	1.8	2.4	waterclear
SLO-230Y-00003	SMD-YPLCC6-02	586nm	460	660	-	120°	2.0	-	waterclear
SLO-230N-00004	SMD-NPLCC6-02	2800-3100°K	3370	6370	6370	120°	3.0	3.2	diffused
SLO-230S-00002	SMD-SPLCC6-02	3800-5000°K	5300	-	7600	120°	2.8	3.4	diffused
SLO-230W-00005	SMD-WPLCC6-02	5500-7000°K	3770	-	6370	120°	3.0	3.2	diffused
SLO-2351-00003	SMD-FPLCC6-02	630nm	350	460	-	120°	1.8	2.4	waterclear
		518nm	1000	1300	-	120°	2.8	3.4	
		462nm	210	270	-	120°	2.8	3.4	

Electro-Optical-Characteristics Ta=25°C, Forward Current: IF Typical = 20mA (x3),

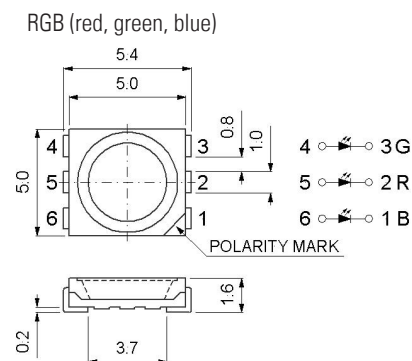
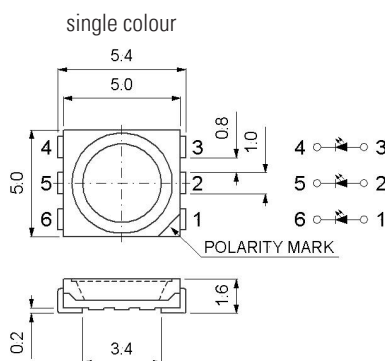
1/10 Duty Cycle, 10ms Pulse Width: up to 180mA, depending on colour.

Storage Temp. -40 ~+100 (°C) Operating Temp. -40 ~+85 (°C)

Detailed data sheets are available on request

Packaging: 1000pcs/reel

Dimensions (mm)



1. All dimensions are in millimetres
2. Tolerance is ± 0.25 mm unless otherwise specified
3. Specifications are subject to change without notice