

LED Beacon Light 230VAC

Twirl-Lux

Application:

Industry	Machine light, Security system, Alarm system
Navigation	Port marking, Boat lighting, Storm warning
Road works	SOS-telephone, Tunnel Exit Signs
Railways	Tunnel Exit, Train warning lights

Benefits:

- 5 different colours available (blue, yellow, white, red, green)
- 18 powerful 2.5Watt LED's
- 16 different flashing methods
- No moving parts inside , means no abrasion



Twirl-Lux

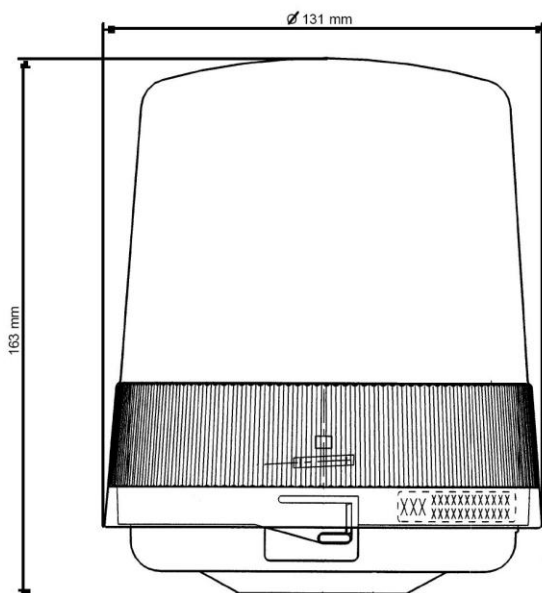
Beacon with Flat Base ISO

- Operating temperature -40°C ~+60°C
- Protection IP56
- 230VAC

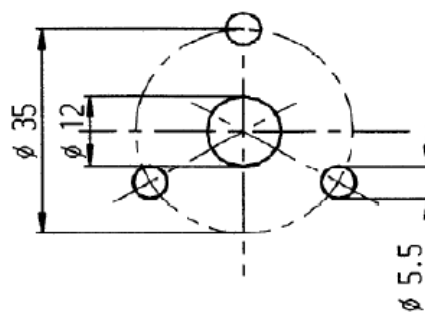


Part-Number	Colour	Voltage AC
200 08 005	blue	230V
200 08 015	yellow	230V
200 08 025	red	230V
200 08 035	green	230V
200 08 045	white	230V

Drawing



Mounting hole



- All dimensions are in millimetres.
- Tolerance is $\pm 0.25\text{mm}$ unless otherwise specified.
- Specifications are subject to change without notice

Twirl-Lux

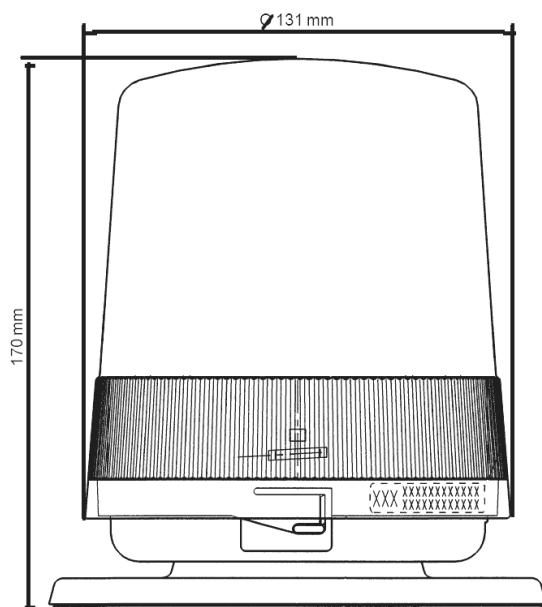
Beacon with Flat Base DIN

- Operating temperature -40°C ~+60°C
- Protection IP56
- 230VAC

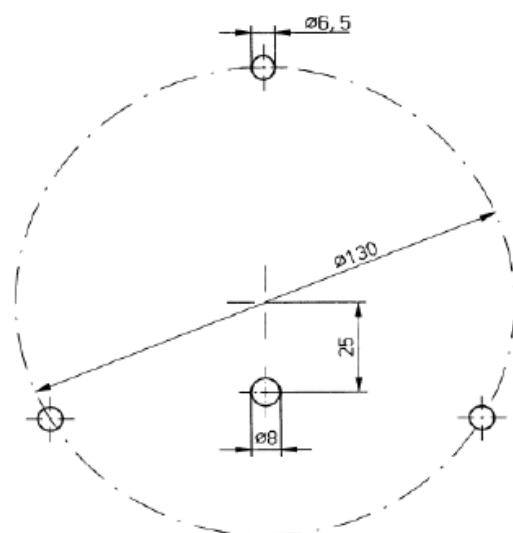


Part-Number	Colour	Voltage AC
200 08 006	blue	230V
200 08 016	yellow	230V
200 08 026	red	230V
200 08 036	green	230V
200 08 046	white	230V

Drawing



Mounting hole



- All dimensions are in millimetres.
- Tolerance is $\pm 0.25\text{mm}$ unless otherwise specified.
- Specifications are subject to change without notice

Twirl-Lux

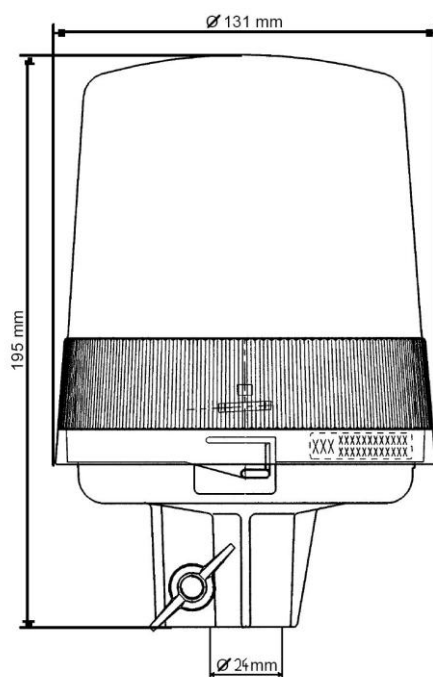
Beacon with insert base

- Operating temperature -40°C ~+60°C
- Protection IP56
- 230VAC



Part-Number	Colour	Voltage AC
200 08 007	blue	230V
200 08 017	yellow	230V
200 08 027	red	230V
200 08 037	green	230V
200 08 047	white	230V

Drawing



- All dimensions are in millimetres.
- Tolerance is ± 0.25 mm unless otherwise specified.
- Specifications are subject to change without notice