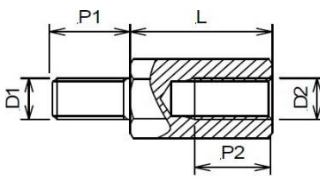
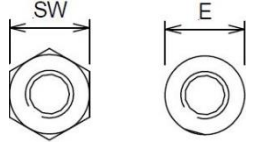
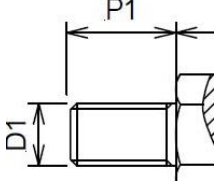
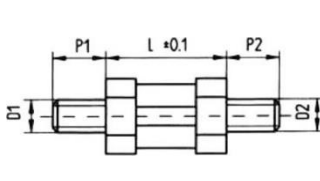
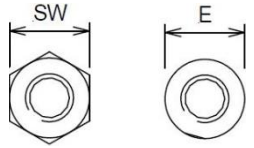
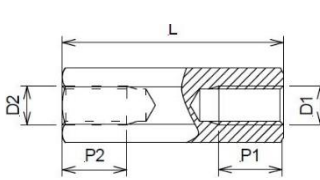
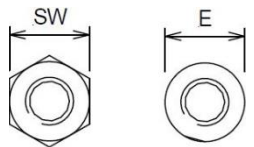
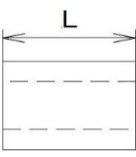
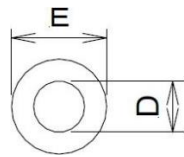
	<p>With thread undercut*</p>		
	<p>Without thread undercut*</p>		
<p>*Backstitch only possible with metal versions</p>			
			

Please state all dimensions in millimetres

L:	SW:	E:	D:
D1:	D2:	P1:	P2:
Material:	<p>steel</p> <p>polyamide</p> <p>peek</p>	<p>brass</p> <p>nylon</p>	<p>stainless steel</p> <p>polystyrol</p>
Quantity:			
Comment :			

Your details

Company:

Name:

Address:

City, postcode:

Telephone:

Email: