

SEALED D-SUB CONNECTORS

9 OR 15 CONTACTS



9 PIN STANDARD CABLE MOUNT-SOCKET
MATES WITH PANEL MOUNT



9 PIN STANDARD CABLE MOUNT-PIN
MATES WITH PANEL MOUNT



9 PIN STANDARD PANEL MOUNT
MATES WITH CABLE MOUNT



15 PIN HIGH DENSITY CABLE MOUNT-SOCKET
MATES WITH PANEL MOUNT



15 PIN HIGH DENSITY CABLE MOUNT-PIN
MATES WITH PANEL MOUNT



15 PIN HIGH DENSITY PANEL MOUNT
MATES WITH CABLE MOUNT



CAP FOR PANEL MOUNT
P/N DBSCAP

SPECIFICATIONS

Mechanical Specifications

Life:	500 insertion / withdrawal cycles minimum
Coupling Locking Style:	Standard Jackscrew
Backshell Style:	Threaded

Electrical Specifications

Voltage Rating:	1000V AC for 1 Minute
Current Rating:	5.0A- Standard D-Sub (9 Contacts) 2.0A- High Density D-Sub (15 Contacts)
Contact Resistance:	25 mΩ max
Insulation Resistance:	500MΩ at

Environmental Specifications

Operating Temperature Rating:	-55 °C to +85 °C(-67°F to +185°F)
Thermal Shock:	MIL-STD 202G Method 107G, Condition A
Weathertight:	IP67 (when mated)

Material Specifications

D-Sub Backshell Kit

Housing, Clamp, & Nut:	Thermoplastic, Black
Insulator:	Thermoplastic (UL94V-0)
Gasket & Seal:	Elastomer, Black
Shell:	Steel, Tin Plated
Screw:	Copper Alloy, Nickel Plated
Contact Pins:	Copper Alloy, Gold Plated

D-Sub Panel Mount Connector

Flange & Insulator:	Thermoplastic (UL94V-0)
Shell:	Steel, Tin Plated
Epoxy:	Epoxy, Black
O-Ring:	Elastomer, Light Blue
Screw:	Copper Alloy, Nickel Plated
Contact Pin:	Copper Alloy, Gold Plated

D-Sub Connector Cap

Body:	Thermoplastic, Black
Gasket & O-ring:	Elastomer, Black
Screw:	Copper Alloy, Nickel Plated
Chain:	Stainless Steel

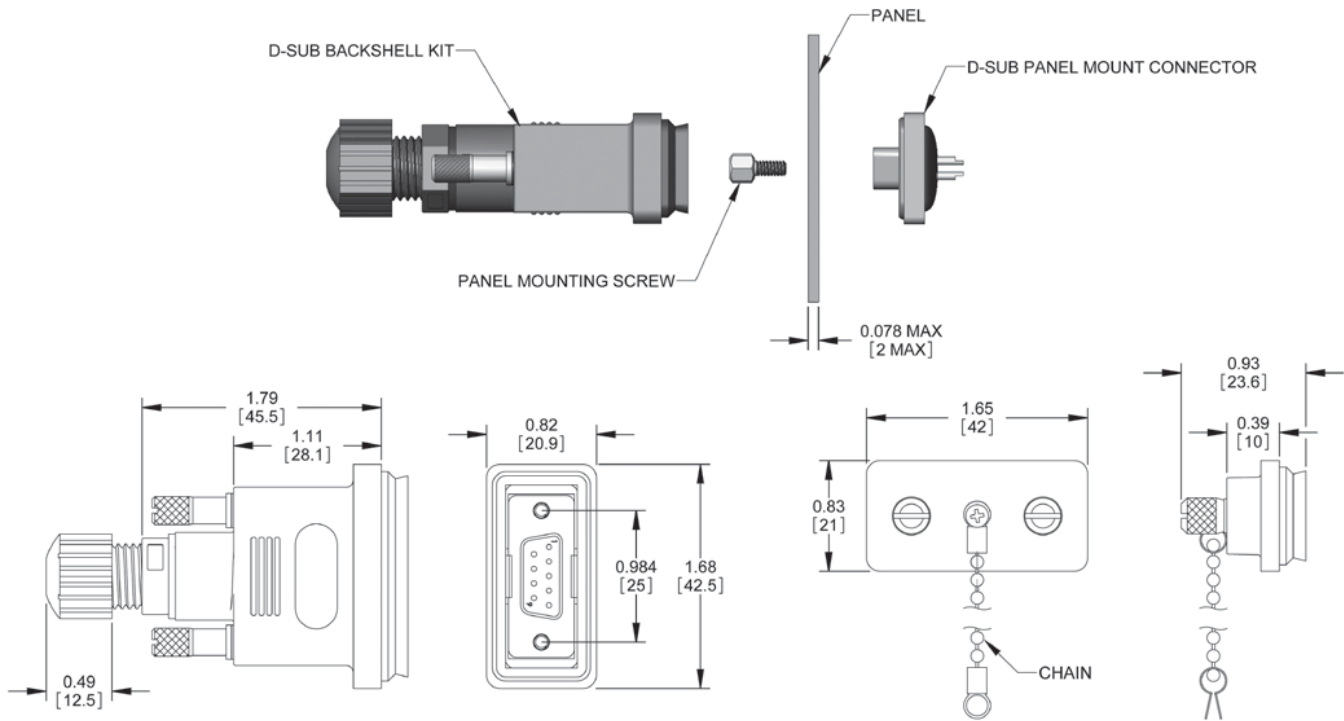
Other

Flame Rating:	UL 94V-0
Recommended Panel Thickness:	0.048" - 0.078" [1.22mm to 1.98mm]

Recommended Cable Type

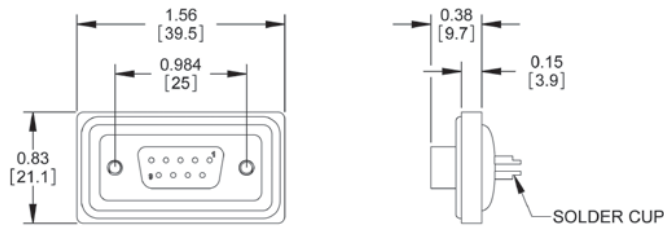
Conductor Type:	Solid or Stranded Conductors, 22-26 AWG
Outer Cable O.D. Range:	Ø0.138" - Ø0.276" [3.51mm to 7.01mm]

DATA-CON-X®: SEALED D-SUB

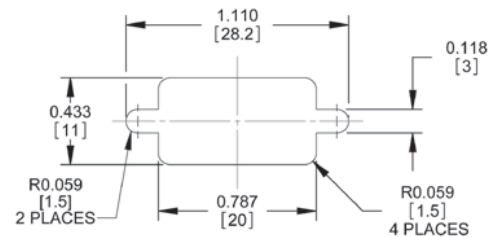


D-SUB BACKSHELL KIT
(9 PIN MALE D-SUB SHOWN)

D-SUB CONNECTOR CAP



PANEL MOUNT SOLDER CONNECTOR
(9 PIN FEMALE D-SUB SHOWN)



RECOMMENDED PANEL CUT-OUT

All dimensions are for reference only. Units shown: in[mm].

SEALED D-SUB CONNECTORS

9 OR 15 CONTACTS

PART NUMBER TO ORDER

DCP	XXXX	X	SC	P
D-Sub Panel Mount Series	D-Sub	Gender	Termination Style	Panel
DCP	DB09 = 9 pin Standard HD15 = 15 Pin, High Density	M = Male F = Female	SC = Solder Cup	1 = 0.48-0.78 in [1.22-1.98 mm]

DCC	XXXX	X
D-Sub Backshell Kit Series	D-Sub	Gender
DCC	DB09 = 9 pin Standard HD15 = 15 Pin, High Density	M = Male F = Female

CON-X[®] ELECTRICAL CURRENT RATING CHART

CONTACT SIZE	CONDUCTOR SIZE - AWG	NUMBER OF CONDUCTORS	CURRENT RATING
#12	#12	1 through 7	23.0A
	#14	1 through 3	17.0A
		4 through 6	12.75A
		7 through 9	11.0A
	#16	1 through 3	13.0A
		4 through 6	9.75A
7		8.45A	
#16	#16	1 through 10	13.0A
		11 and 12	7.5A
	#18	1 through 3	10.0A
		4 through 12	7.5A
#20	#18	1 through 3	7.5A
		4 through 20	5.6A
		21 through 31	2.3A
	#20	1 through 3	7.5A
		4 through 20	5.6A
		21 through 31	2.3A
	#20 Multi-Con-X	10 through 12	5.0A
	#22	1 through 3	6.0A
		4 through 20	2.5A
		21 through 31	2.5A
	#24	1 through 3	4.5A
		4 through 20	2.0A
21 through 31		1.5A	
#22	#22	4	5.5A
	#24	4	5.0A
#26	#24	5 to 6	4.0A
	#24	7	3.5A
	#26	5 to 6	2.5A
	#26	7	2.5A
	#28*	5 to 6	2.0A
	#28*	7	2.0A

*Not UL tested for this wire conductor size

MAX. NUMBER AND SIZE OF CONTACTS PER SERIES:

4 - #12 Multi-Con-X	6 - #16 Multi-Con-X	8 - #20 Mini-Con-X	31 - #20 Mega-Con-X
7 - #12 Maxi-Con-X	12 - #16 Maxi-Con-X	9 - #20 Multi-Con-X	4 - #22 Micro-Con-X
5 - #16 Mini-Con-X	3 - #20 Micro-Con-X	20 - #20 Maxi-Con-X	7 - #26 Micro-Con-X

CON-X® MANUAL CONTACT CRIMPING TOOL

Handle	Description	Positioner	Contact Sizes	Wire Sizes	Conductor Strip Length
359-24	Multi Contact Turret Crimp Tool	357-124	#12	12-14 AWG	7/32 in
			#16	16-18-20 AWG	7/32 in
			#20	20-22-24 AWG	3/16 in
359-21	Single Contact Crimp Tool	357-122	#20	20-22-24 AWG	3/16 in
		357-125	#22	22-24 AWG	5/32 in
		357-126	#26(Cable Pin Only)	24-26-28 AWG	3/16 in
		357-127	#26(Panel Pin, Cable & Panel Socket)	24-26-28 AWG	3/16 in

CON-X® MANUAL CONTACT INSERTION TOOL

Handle	Description	Insertion Bits	Contact Sizes
356-1	Single Contact Hand Tool	356-12	#12
		356-16	#16
		356-20	#20
		356-22	#22 (20 AWG Crimp Barrel)
		356-22-1-K	#22 (22 AWG Crimp Barrel)
		356-26-K	#26

MIL-E-QUAL® MANUAL CONTACT CRIMPING TOOL

Handle	Description	Positioner	Contact Sizes	Wire Sizes	Conductor Strip Length
359-24	Hand Crimp Tool	358-112	#12	12-14 AWG	7/32 in
			#16	16-18-20 AWG	9/32 in

MIL-E-QUAL® MANUAL CONTACT INSERTION TOOL

Handle	Description	Insertion Bits	Contact Sizes
356-1	Single Contact Hand Tool	356-12	#12
		356-16	#16