

DATA-CON-X® SEALED MICRO-USB CONNECTORS

NPB | C716



FEATURES & BENEFITS

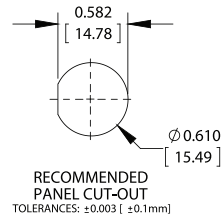
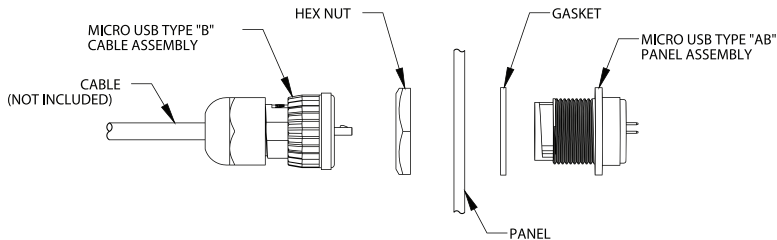
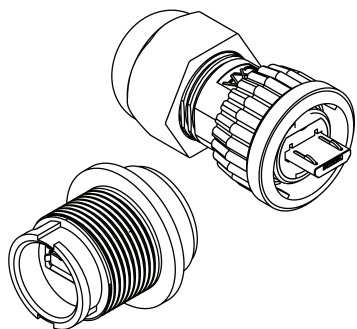
- Sealed to IP67 & IP68 NEMA 250 (6P)
- Feed through, PC Tail or Solder terminals for easy field installation
- Field installable design is easy to assemble
- Quick connect bayonet style interface
- RoHS compliant assembly

APPLICATIONS

- Any sealed data transmission
- Military or industrial GPS location devices
- Instrumentation
- Medical data carts
- Data acquisition units
- General industrial electronic applications

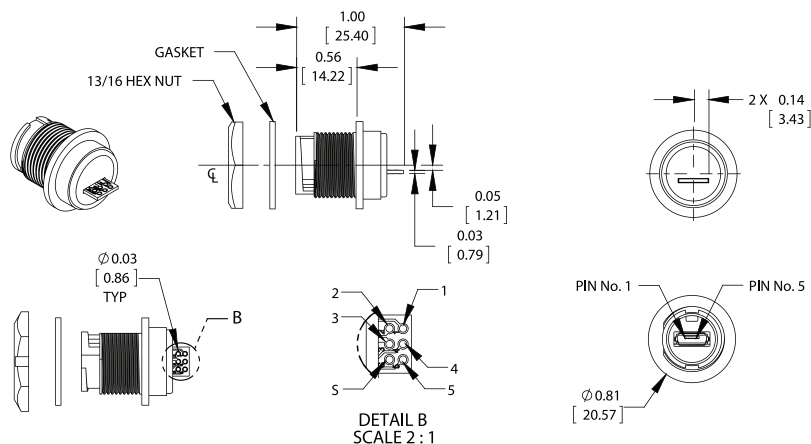
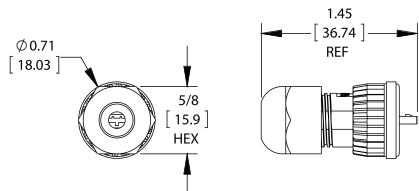
DATA-CON-X[®] SEALED MICRO-USB CONNECTORS

NPB | C716



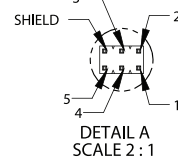
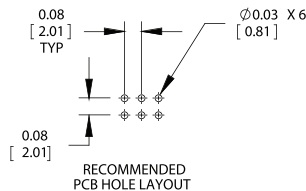
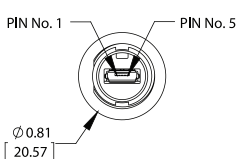
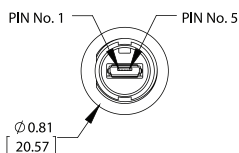
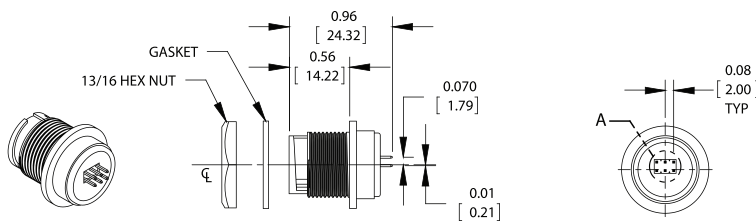
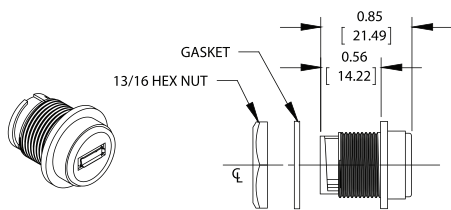
DCC-USBCB-120
Micro-USB Field Installable Cable Plug

DCP-USBCB-SC
Micro-USB Panel Mount - Solder Holes



DCP-USBCB-F
Micro-USB Panel Mount - Feed-Thru

DCP-USBCB-HD
Micro-USB Panel Mount - PC Tails



UNITS ARE LISTED IN INCHES [MM]. ALL DIMENSIONS ARE REFERENCE ONLY.

PLEASE VISIT WWW.CONXALL.COM FOR THE MOST UP-TO-DATE PRODUCT SPECIFICATIONS.

DATA-CON-X[®] SEALED MICRO-USB CONNECTORS

NPB | C716

SPECIFICATIONS

Mechanical Specifications

Life:	300 Cycles Minimum
Vibration:	Mil-Std 202G Method 201A
Hex Nut Torque:	10-12 in-lb
Coupling Locking Style:	Quick Connect (Bayonet)
Backshell Style:	Threaded Nut-Squeezed Grommet

Electrical Specifications

Tested Per USB 2.0 Specifications

Environmental Specifications

Operating Temperature Rating:	-25 °C to +85 °C (-13°F to +185°F)
Moisture Resistance:	Mil-Std 202G Method 106G
Insulation Resistance:	Mil-Std 202G Method 302
Thermal Shock:	Mil-Std 202G Method 107G
Weathertight:	IP67 & IP68, NEMA 250 (6P) (when mated)

Material Specifications

Plug Nut, Coupling Nut:	Thermoplastic
Plug Housing, Insert:	Thermoplastic
Sealing Ring, O-Ring:	Elastomer
Panel Housing, Hex Nut:	Thermoplastic
Gasket:	Elastomer
Printed Circuit Board (PCB):	FR-4

Header:

Insulator:	Thermoplastic UL94V-0, Black
Contacts:	Copper Alloy, Gold Flash

Micro USB Type B Plug:

Insulator:	Thermoplastic UL94V-0, Black
Contacts:	Copper Alloy, Gold Plated (Contact Area)
Metal Shield:	Steel, Nickel Plated

Micro USB Type AB Receptacle:

Insulator:	Thermoplastic UL94V-0, Black
Contacts:	Copper Alloy, Gold Flash (Contact Area)
Metal Shield:	Copper Alloy, Tin Plated

Molded Cable Assemblies

Consult factory for molded options

Other

Recommended Cable O.D. Range:	0.137-0.157 inches [3.5mm-4.0mm]
Recommended Panel Thickness:	0.031-0.187 inches [0.8mm-4.8mm]

PLEASE VISIT WWW.CONXALL.COM FOR THE MOST UP-TO-DATE PRODUCT SPECIFICATIONS.

CON-X® ELECTRICAL CURRENT RATING CHART

CONTACT SIZE	CONDUCTOR SIZE - AWG	NUMBER OF CONDUCTORS	CURRENT RATING
#12	#12	1 through 7	23.0A
	#14	1 through 3	17.0A
		4 through 6	12.75A
		7 through 9	11.0A
	#16	1 through 3	13.0A
		4 through 6	9.75A
7		8.45A	
#16	#16	1 through 10	13.0A
		11 and 12	7.5A
	#18	1 through 3	10.0A
		4 through 12	7.5A
#20	#18	1 through 3	7.5A
		4 through 20	5.6A
		21 through 31	2.3A
	#20	1 through 3	7.5A
		4 through 20	5.6A
		21 through 31	2.3A
	#20 Multi-Con-X	10 through 12	5.0A
	#22	1 through 3	6.0A
		4 through 20	2.5A
		21 through 31	2.5A
	#24	1 through 3	4.5A
		4 through 20	2.0A
21 through 31		1.5A	
#22	#22	4	5.5A
	#24	4	5.0A
#26	#24	5 to 6	4.0A
	#24	7	3.5A
	#26	5 to 6	2.5A
	#26	7	2.5A
	#28*	5 to 6	2.0A
	#28*	7	2.0A

*Not UL tested for this wire conductor size

MAX. NUMBER AND SIZE OF CONTACTS PER SERIES:

4 - #12 Multi-Con-X	6 - #16 Multi-Con-X	8 - #20 Mini-Con-X	31 - #20 Mega-Con-X
7 - #12 Maxi-Con-X	12 - #16 Maxi-Con-X	9 - #20 Multi-Con-X	4 - #22 Micro-Con-X
5 - #16 Mini-Con-X	3 - #20 Micro-Con-X	20 - #20 Maxi-Con-X	7 - #26 Micro-Con-X

TOOLING

CON-X® MANUAL CONTACT CRIMPING TOOL

Handle	Description	Positioner	Contact Sizes	Wire Sizes	Conductor Strip Length
359-24	Multi Contact Turret Crimp Tool	357-124	#12	12-14 AWG	7/32 in
			#16	16-18-20 AWG	7/32 in
			#20	20-22-24 AWG	3/16 in
359-21	Single Contact Crimp Tool	357-122	#20	20-22-24 AWG	3/16 in
		357-125	#22	22-24 AWG	5/32 in
		357-126	#26(Cable Pin Only)	24-26-28 AWG	3/16 in
		357-127	#26(Panel Pin, Cable & Panel Socket)	24-26-28 AWG	3/16 in

CON-X® MANUAL CONTACT INSERTION TOOL

Handle	Description	Insertion Bits	Contact Sizes
356-1	Single Contact Hand Tool	356-12	#12
		356-16	#16
		356-20	#20
		356-22	#22 (20 AWG Crimp Barrel)
		356-22-1-K	#22 (22 AWG Crimp Barrel)
		356-26-K	#26

MIL-E-QUAL® MANUAL CONTACT CRIMPING TOOL

Handle	Description	Positioner	Contact Sizes	Wire Sizes	Conductor Strip Length
359-24	Hand Crimp Tool	358-112	#12	12-14 AWG	7/32 in
			#16	16-18-20 AWG	9/32 in

MIL-E-QUAL® MANUAL CONTACT INSERTION TOOL

Handle	Description	Insertion Bits	Contact Sizes
356-1	Single Contact Hand Tool	356-12	#12
		356-16	#16