

SHIELDED MULTI-CON-X[®] 0.995" [25MM] OD 2-12 CONTACTS



CABLE END - SOCKET
MATES WITH PANEL MOUNT AND
CABLE TO CABLE



PANEL MOUNT - PIN
MATES WITH CABLE END



MOLDED CABLE END ASSEMBLY

SHIELDED MULTI-CON-X[®] 0.995" [25MM]OD 2-12 CONTACTS

SPECIFICATIONS

Mechanical Specifications

Life:	400 insertion / withdrawal cycles minimum
Vibration:	Coupling rings have overriding locking feature to prevent loosening or separation of connector
Hex Nut Torque:	10-12 in-lb tightening torque.
Coupling Locking Style:	Threaded Coupling Ring
Backshell Style:	Threaded

Electrical Specifications

Voltage Rating:	600V AC
Current Rating:	13.0 A – max (See page 107 for Electrical Current Rating Chart)
Conductor Size:	2 through 4 #16 contacts accepts 16 AWG 2 through 12 #20 contacts accepts 20 AWG

Environmental Specifications

Operating Temperature Rating:	-40°C to +85°C (-40°F to +185°F)
Salt Atmosphere (Corrosion):	48 Hr salt spray when mated
Weathertight:	IP66 / IP68 NEMA 250 (6P) (when mated)

Material Specifications

Cable Ends

Coupling Nut & Housing:	Nickel Plated Copper Alloy
Contacts:	Copper Alloy, Gold over Nickel Plating
Insert:	Thermoplastic
Backshell & Strap:	Thermoplastic
Screws:	Stainless Steel
O-Rings:	Elastomer

Metal Panel Mounts

Shell:	Nickel Plated Copper Alloy
Nut:	Nickel Plated Copper Alloy
Contacts:	Copper Alloy, Gold over Nickel Plating
Insert:	Thermoplastic

Plastic Panel Mounts

Housing:	Thermoplastic
Shielding Nut:	Nickel Plated Aluminum
Contacts:	Copper Alloy, Gold over Nickel Plating

Molded Cable Assemblies

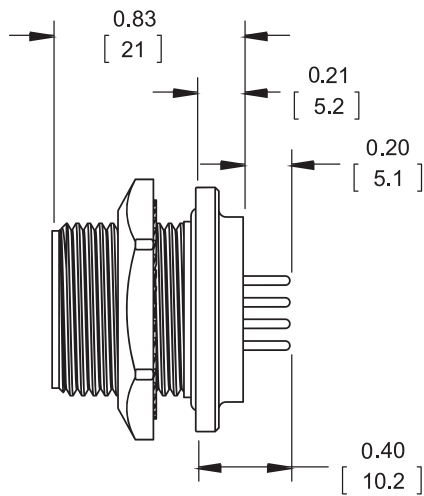
Weathertight:	IP66 / IP68 NEMA 250 (6P) (when mated)
---------------	--

Certifications

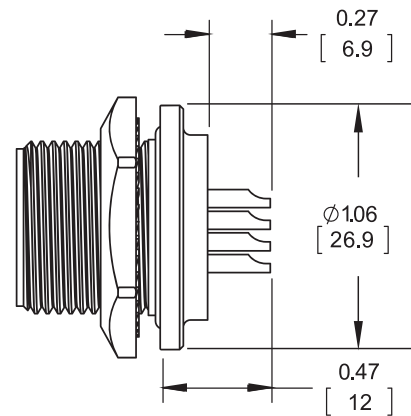
Not for current interruption
RoHS compliant

SHIELDED MULTI-CON-X[®] 0.995" [25MM]OD 2-12 CONTACTS

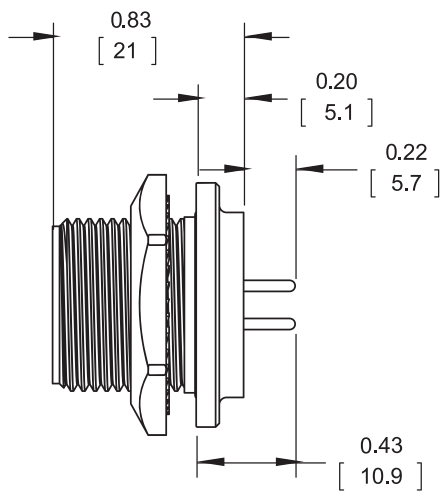
PANEL MOUNT ASSEMBLY KITS - PIN ONLY - METAL



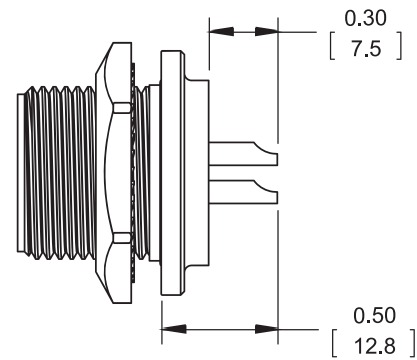
SF4281-XXPG-3XX
PANEL MOUNT CONNECTOR
#20 PC TAIL



SF4282-XXPG-3XX
PANEL MOUNT CONNECTOR
#20 SOLDER CUP



SF4381-XXPG-3XX
PANEL MOUNT CONNECTOR
#16 PC TAIL

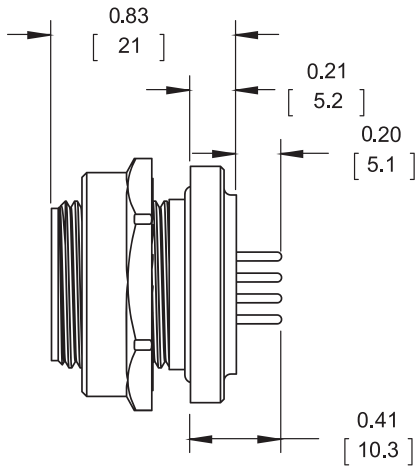


SF4382-XXPG-3XX
PANEL MOUNT CONNECTOR
#16 SOLDER CUP

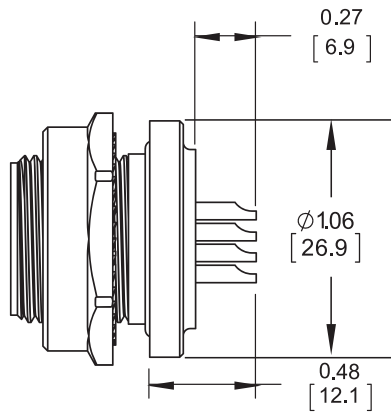
All dimensions are for reference only. Units shown: in[mm].

SHIELDED MULTI-CON-X[®] 0.995" [25MM] OD 2-12 CONTACTS

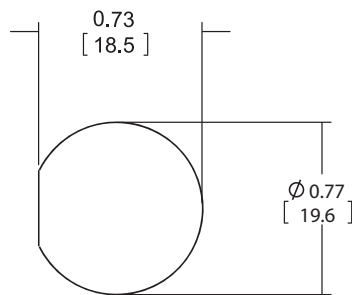
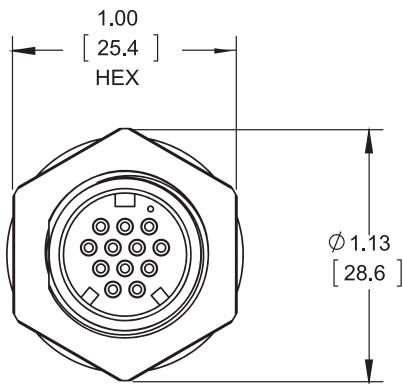
PANEL MOUNT ASSEMBLY KITS - PIN ONLY - PLASTIC



SF4X81V-XXEPG-3XX
PANEL MOUNT CONNECTOR
PC TAIL

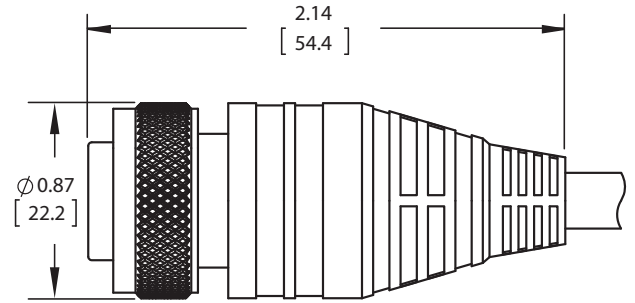


SF4X82V-XXEPG-3XX
PANEL MOUNT CONNECTOR
SOLDER CUP

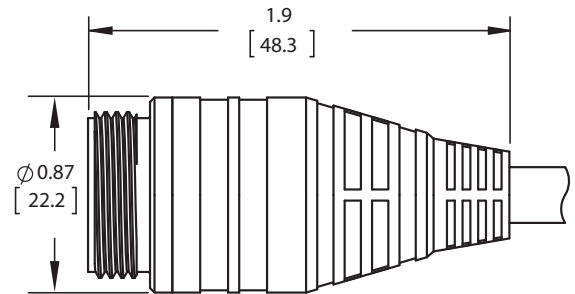


RECOMMENDED
PANEL CUT-OUT
TOLERANCE: ± 0.003 [0.08]

CUSTOM MOLDED CABLE ASSEMBLIES

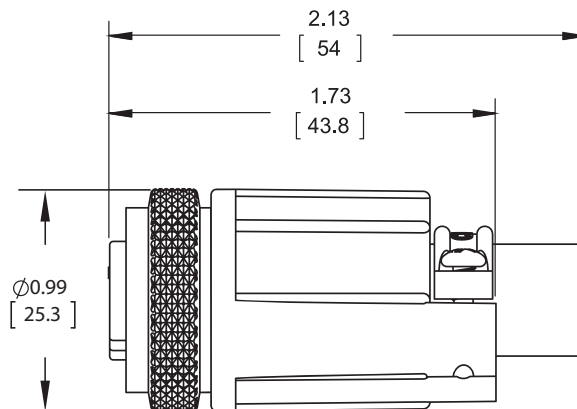


SM3X8X-XXXG
CUSTOM CABLE CONNECTOR, FEMALE
STRAIGHT OVERMOLDED



SM5X8X-XXXG
CUSTOM CABLE TO CABLE CONNECTOR, MALE
STRAIGHT OVERMOLDED

FIELD INSTALLABLE KITS - SOCKET ONLY



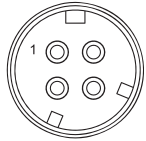
SF3X8X-XXSG-5XX
FIELD INSTALLABLE CABLE CONNECTOR KIT

All dimensions are for reference only.
Units shown: in[mm].

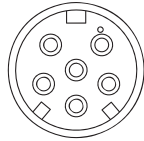
SHIELDED MULTI-CON-X[®] 0.995" [25MM]OD 2-12 CONTACTS

PANEL MOUNT CONNECTORS

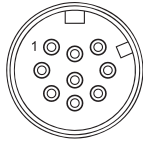
Front View | Wire View



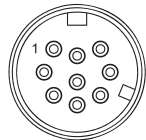
(2-4)-POSITION
#16 PIN CONTACT
"F" KEY



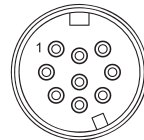
(6)-POSITION
#16 PIN CONTACT
"E" KEY



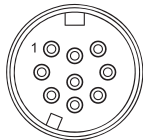
(2-9)-POSITION
#20 PIN CONTACT
"A" KEY



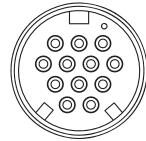
(2-9)-POSITION
#20 PIN CONTACT
"B" KEY



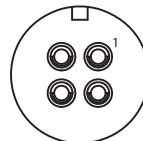
(2-9)-POSITION
#20 PIN CONTACT
"C" KEY



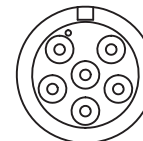
(2-9)-POSITION
#20 PIN CONTACT
"D" KEY



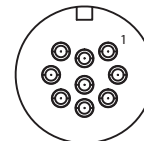
(2-12)-POSITION
#20 PIN CONTACT
"E" KEY



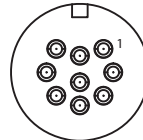
(2-4)-POSITION
#16 PIN CONTACT
"F" KEY



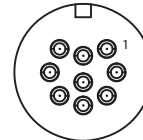
(6)-POSITION
#16 PIN CONTACT
"E" KEY



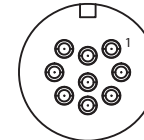
(2-9)-POSITION
#20 PIN CONTACT
"A" KEY



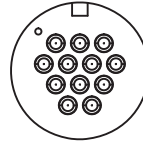
(2-9)-POSITION
#20 PIN CONTACT
"B" KEY



(2-9)-POSITION
#20 PIN CONTACT
"C" KEY



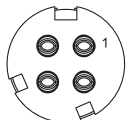
(2-9)-POSITION
#20 PIN CONTACT
"D" KEY



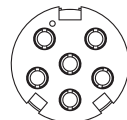
(2-12)-POSITION
#20 PIN CONTACT
"E" KEY

CABLE CONNECTORS

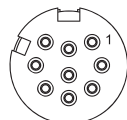
Front View | Wire View



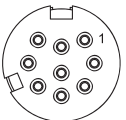
(2-4)-POSITION
#16 PIN CONTACT
"F" KEY



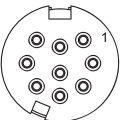
(6)-POSITION
#16 PIN CONTACT
"E" KEY



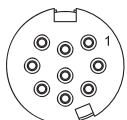
(2-9)-POSITION
#20 PIN CONTACT
"A" KEY



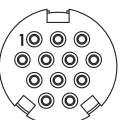
(2-9)-POSITION
#20 PIN CONTACT
"B" KEY



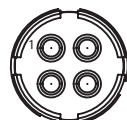
(2-9)-POSITION
#20 PIN CONTACT
"C" KEY



(2-9)-POSITION
#20 PIN CONTACT
"D" KEY



(4-12)-POSITION
#20 PIN CONTACT
"E" KEY



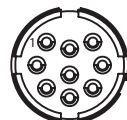
(2-4)-POSITION
#16 PIN CONTACT
"F" KEY



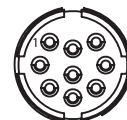
(6)-POSITION
#16 PIN CONTACT
"E" KEY



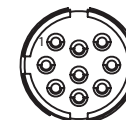
(2-9)-POSITION
#20 PIN CONTACT
"A" KEY



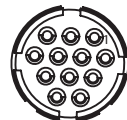
(2-9)-POSITION
#20 PIN CONTACT
"B" KEY



(2-9)-POSITION
#20 PIN CONTACT
"C" KEY



(2-9)-POSITION
#20 PIN CONTACT
"D" KEY

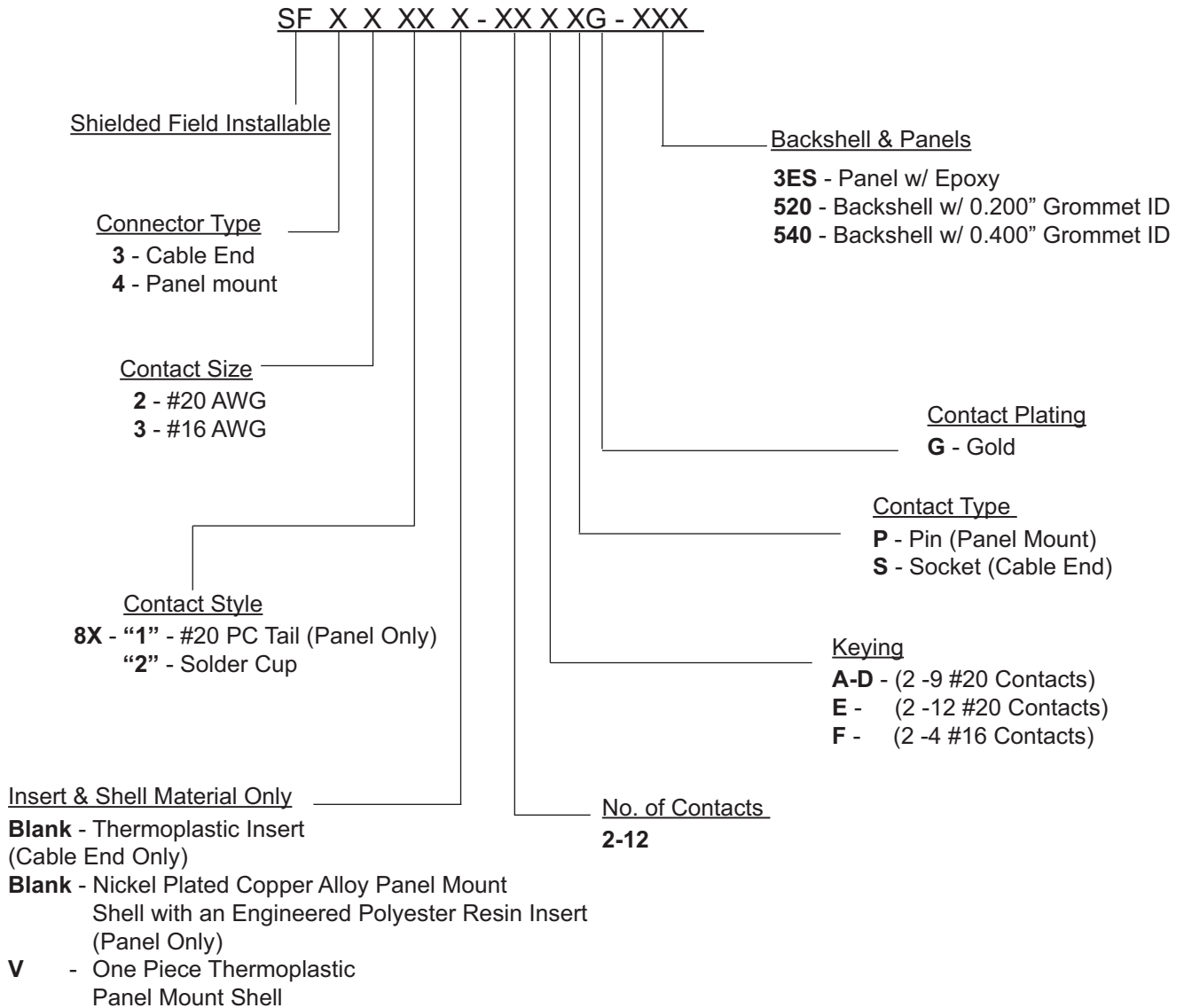


(4-12)-POSITION
#20 PIN CONTACT
"E" KEY

All dimensions are for reference only. Units shown: in[mm].

SHIELDED MULTI-CON-X[®] 0.995" [25MM]OD 2-12 CONTACTS

PART NUMBER TO ORDER



CON-X[®] ELECTRICAL CURRENT RATING CHART

CONTACT SIZE	CONDUCTOR SIZE - AWG	NUMBER OF CONDUCTORS	CURRENT RATING
#12	#12	1 through 7	23.0A
	#14	1 through 3	17.0A
		4 through 6	12.75A
		7 through 9	11.0A
	#16	1 through 3	13.0A
		4 through 6	9.75A
7		8.45A	
#16	#16	1 through 10	13.0A
		11 and 12	7.5A
	#18	1 through 3	10.0A
		4 through 12	7.5A
#20	#18	1 through 3	7.5A
		4 through 20	5.6A
		21 through 31	2.3A
	#20	1 through 3	7.5A
		4 through 20	5.6A
		21 through 31	2.3A
	#20 Multi-Con-X	10 through 12	5.0A
	#22	1 through 3	6.0A
		4 through 20	2.5A
		21 through 31	2.5A
	#24	1 through 3	4.5A
		4 through 20	2.0A
21 through 31		1.5A	
#22	#22	4	5.5A
	#24	4	5.0A
#26	#24	5 to 6	4.0A
	#24	7	3.5A
	#26	5 to 6	2.5A
	#26	7	2.5A
	#28*	5 to 6	2.0A
	#28*	7	2.0A

*Not UL tested for this wire conductor size

MAX. NUMBER AND SIZE OF CONTACTS PER SERIES:

4 - #12 Multi-Con-X	6 - #16 Multi-Con-X	8 - #20 Mini-Con-X	31 - #20 Mega-Con-X
7 - #12 Maxi-Con-X	12 - #16 Maxi-Con-X	9 - #20 Multi-Con-X	4 - #22 Micro-Con-X
5 - #16 Mini-Con-X	3 - #20 Micro-Con-X	20 - #20 Maxi-Con-X	7 - #26 Micro-Con-X

TOOLING

CON-X® MANUAL CONTACT CRIMPING TOOL

Handle	Description	Positioner	Contact Sizes	Wire Sizes	Conductor Strip Length
359-24	Multi Contact Turret Crimp Tool	357-124	#12	12-14 AWG	7/32 in
			#16	16-18-20 AWG	7/32 in
			#20	20-22-24 AWG	3/16 in
359-21	Single Contact Crimp Tool	357-122	#20	20-22-24 AWG	3/16 in
		357-125	#22	22-24 AWG	5/32 in
		357-126	#26(Cable Pin Only)	24-26-28 AWG	3/16 in
		357-127	#26(Panel Pin, Cable & Panel Socket)	24-26-28 AWG	3/16 in

CON-X® MANUAL CONTACT INSERTION TOOL

Handle	Description	Insertion Bits	Contact Sizes
356-1	Single Contact Hand Tool	356-12	#12
		356-16	#16
		356-20	#20
		356-22	#22 (20 AWG Crimp Barrel)
		356-22-1-K	#22 (22 AWG Crimp Barrel)
		356-26-K	#26

MIL-E-QUAL® MANUAL CONTACT CRIMPING TOOL

Handle	Description	Positioner	Contact Sizes	Wire Sizes	Conductor Strip Length
359-24	Hand Crimp Tool	358-112	#12	12-14 AWG	7/32 in
			#16	16-18-20 AWG	9/32 in

MIL-E-QUAL® MANUAL CONTACT INSERTION TOOL

Handle	Description	Insertion Bits	Contact Sizes
356-1	Single Contact Hand Tool	356-12	#12
		356-16	#16